
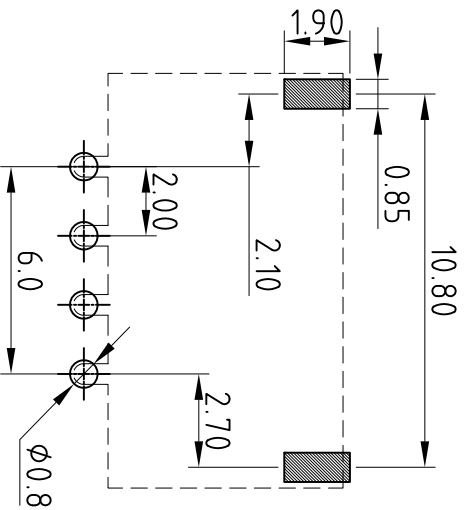
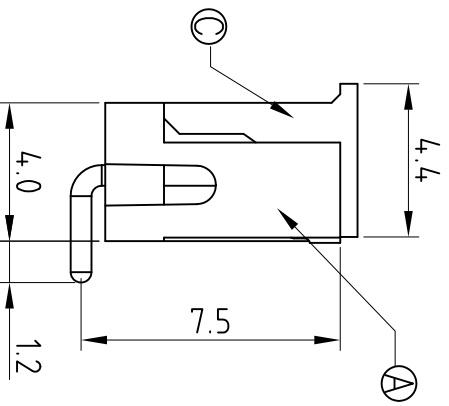
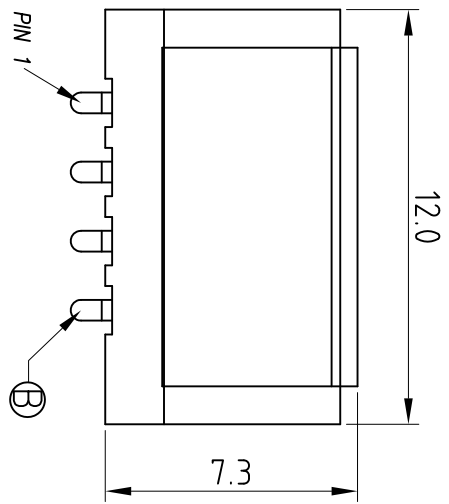
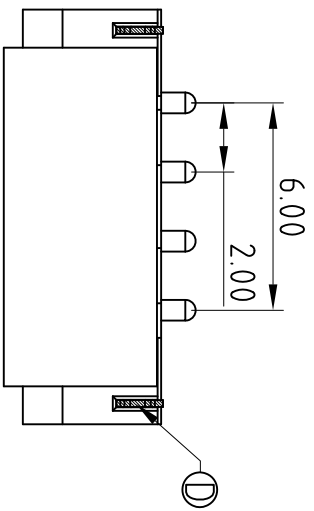


REV.	ECN NO. OR DESCRIPTION	REVISED	DATE
A	PDR RELEASE	AMYC	2009.07.30
B	ECN NO:1.100030	WY-C	2010.06.28
C	ECN NO:1.100055	WY-C	2010.07.20

- SPECIFICATIONS:
1. SEE: "2.0 PITCH WIRE SERIES SPEC"
  2. TO CONFORM TO SINGATRON HAZARDOUS SUBSTANCE FREE SPEC.
  3. PACKAGE : SEE " 2WA1559 SERIES " PACKAGE.
  4. HALOGEN FREE PRODUCT IDENTIFICATION LABEL ON PACKAGING: 
  5. FOR REFLOW SOLDERING LEAD-FREE PROCESS.



Recommended PCB LAYOUT  
(TOP VIEW)



PART NO.  
2WA1559-004111

PACKAGE  
1: TAPE & REEL  
HOUSING COLOR  
1: BEIGE COLOR  
CONTACT PLATING  
1: Tin PLATING  
PIN Circuits : 4 PIN

NO	DESCRIPTION	QTY	MATERIAL	PLATING & COLOR
D	SOLDER TAB	2	CS191	MATT TIN PLATING
C	COVER	1	PATOT UL 94V-0	BEIGE COLOR
B	CONTACT	4	BRASS	TIN PLATING
A	HOUSING	1	PATOT UL 94V-0	BEIGE COLOR
NO	DESCRIPTION	QTY	MATERIAL	PLATING & COLOR

UNLESS OTHERWISE SPECIFIED TOLERANCES


DECIMALS: ANGLES:

X :±0.5 X :±2  
X.X :±0.3 X.X :±1°  
X.XX :±0.2

 Singatron Enterprise Co., Ltd.  
信音企業股份有限公司

TITLE: WAFER ,4PIN ,DIP,R/A

DWN: M-C 2010.07.20 PART NO. 2WA1559-004111

CHKD: MWD-1 2010.07.20 SCALE:N/A UNIT: mm 

APVD: MWD-1 2010.07.20 SIZE: A3 SHEET: 1 OF 1 REV: C

CUSTOMER COPY