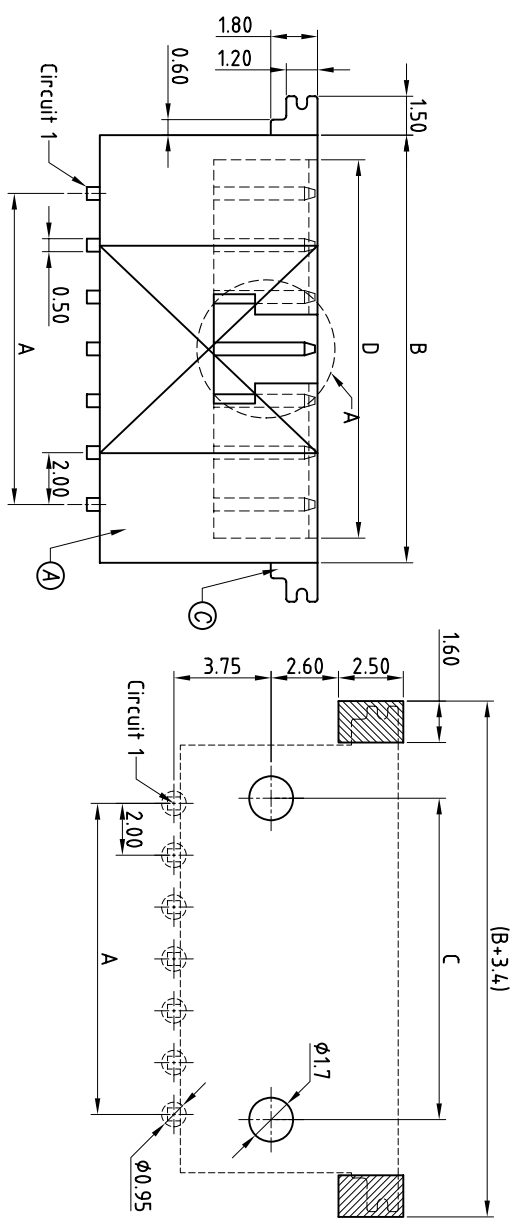


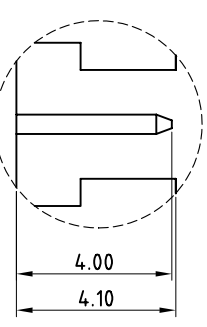
REV	ECN NO OR DESCRIPTION	REVISED	DATE
A	PDR RELEASE	AMYC	2009.06.16

SPECIFICATIONS:

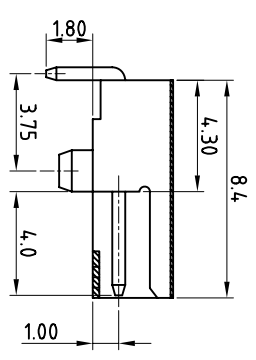
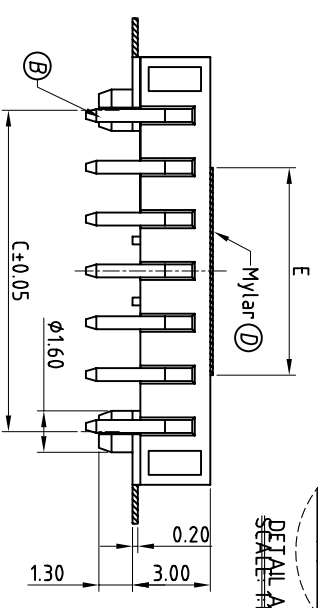
1. SEE: "2.0 PITCH WAVE SERIES SPEC"
2. TO CONFORM TO SINGATRON HAZARDOUS SUBSTANCE FREE SPEC.
3. GREEN PRODUCT IDENTIFICATION LABEL ON PACKAGING: [G.P. PASS]
5. Pitch Between Poles: 2.00mm
6. Current Rating: 26# 3A AC/DC
7. Voltage Rating: 100V AC/DC
8. Contact Resistance: 20m² MAX.
9. Withstand Voltage: 800V AC/Minute
10. PACKAGE : SEE "2WA1563 SERIES" PACKAGE.



P.C.B LAYOUT



DETAIL A:5



"TABLE 1"

PART NO	DIM:(mm)				
	A	B	C	D	E
2WA1563-004111	6.00	10.5	6.4	8.6	8.0

PART NO.
2WA1563-004111

- PACKAGE 2WA1563-004111
- 1: TAPE REEL
- HOUSING COLOR 1: Ivory
- CONTACT PLATING 1: GOLD
- PIN NO. SEE "TABLE 1"

D	Mylar	1		
C	Solder Tab	2	BRASS (C2680)	MATT TIN PLATING
B	CONTACT PIN	4	BRASS (C2680)	Au PLATING
A	BASE	1	PA9T UL 94V-0	Ivory Color
NO	DESCRIPTION	QTY	MATERIAL	PLATING & COLOR

UNLESS OTHERWISE SPECIFIED TOLERANCES

Singatron Enterprise Co., Ltd.
信音企業股份有限公司

DECIMALS: ANGLES:
X :±0.5 X :±2
X.X :±0.3 X.X :±1°
X.XX :±0.2

TITLE	2.00mm PITCH WIRE TO BOARD CONNECTOR 90° SMT
DWN	AMC 2008.06.16 PART NO. 2WA1563-004111
CHKD	JANSON 2008.06.16 SCALE:N/A UNIT: mm
APVD	JANSON 2008.06.16 SIZE: A3 SHEET: 1 OF 1 REV: A

CUSTOMER COPY