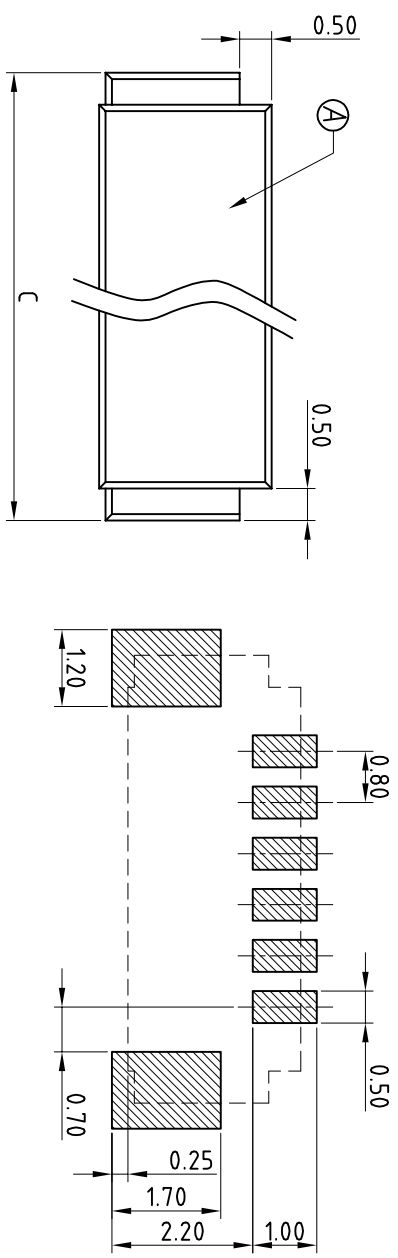
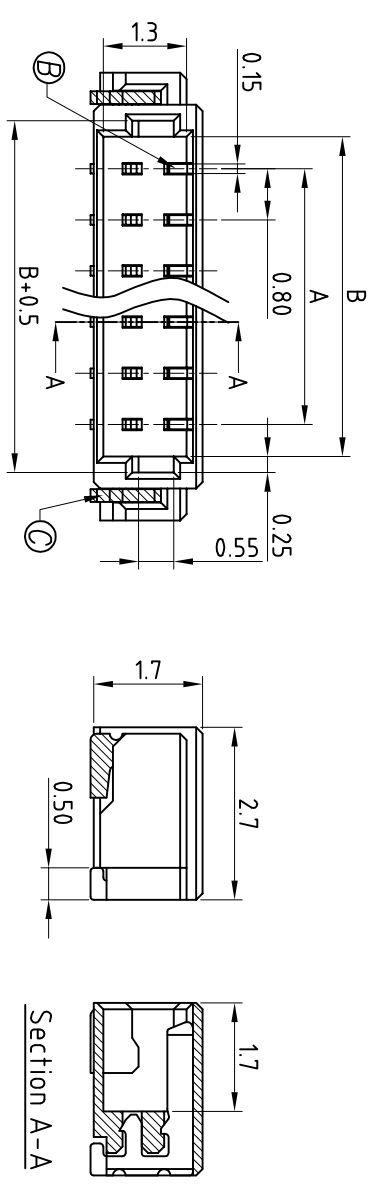


REV. A	ECN NO. PDR RELEASE	OR DESCRIPTION	REVISED AMYC	DATE 2009.07.07
--------	---------------------	----------------	--------------	-----------------

- SPECIFICATIONS:
1. OTHER GENERAL SPEC. TO REFER "0.8mm Pitch Wire SERIES SPEC".
  2. TO CONFORM TO SINGATRON HAZARDOUS SUBSTANCE FREE SPEC.
  3. GREEN PRODUCT IDENTIFICATION LABEL ON PACKAGING: **[G.P. PASS]**
  4. PACKAGE : SEE "2MA1566 SERIES" PACKAGE
  5. FOR REFLOW SOLDERING LEAD-FREE PROCESS.



P.C.B LAYOUT



Section A-A

PART NO.  
2MA1566-0XX11

PACKAGE  
1: TAPE & REEL  
HOUSING COLOR  
1: IVORY  
CONTACT PLATING  
1: GOLD  
CONTACT Circuits  
SEE "TABLE1"

C	Solder Tab	2	C5191	GOLD PLATING
B	CONTACT PIN	8	C5191	GOLD PLATING
A	BASE	1	PA9T UL 94V-0	IVORY COLOR
NO	DESCRIPTION	QTY	MATERIAL	PLATING & COLOR

UNLESS OTHERWISE SPECIFIED TOLERANCES

DECIMALS:    ANGLES:

X    :±0.5    X    :±2°

X.X    :±0.3    X.X    :±1'

X.XX    :±0.2

TITLE    WAFER 0.8mm PITCH SMT TYPE

DWN    JMC 2009/07    PART NO. 2MA1566-0XX111

CHKD    JMC 2009/07    SCALE:N/A    UNIT: mm

APVD    JMC 2009/07    SIZE: A3    SHEET: 1 OF 1    REV: A

"TABLE 1"

PART NO.	Circuits	DIM. (mm)		
		A	B	C
2MA1566-008111	8	5.60	6.60	8.60

