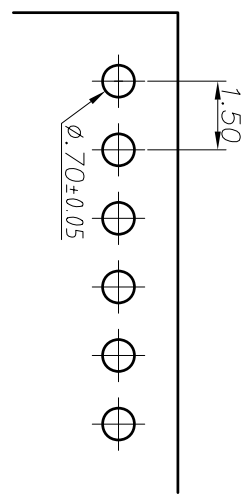
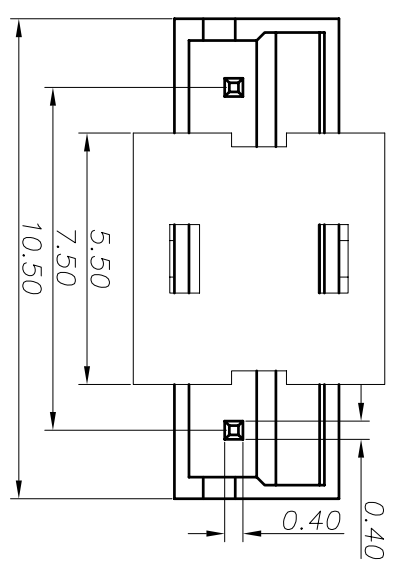


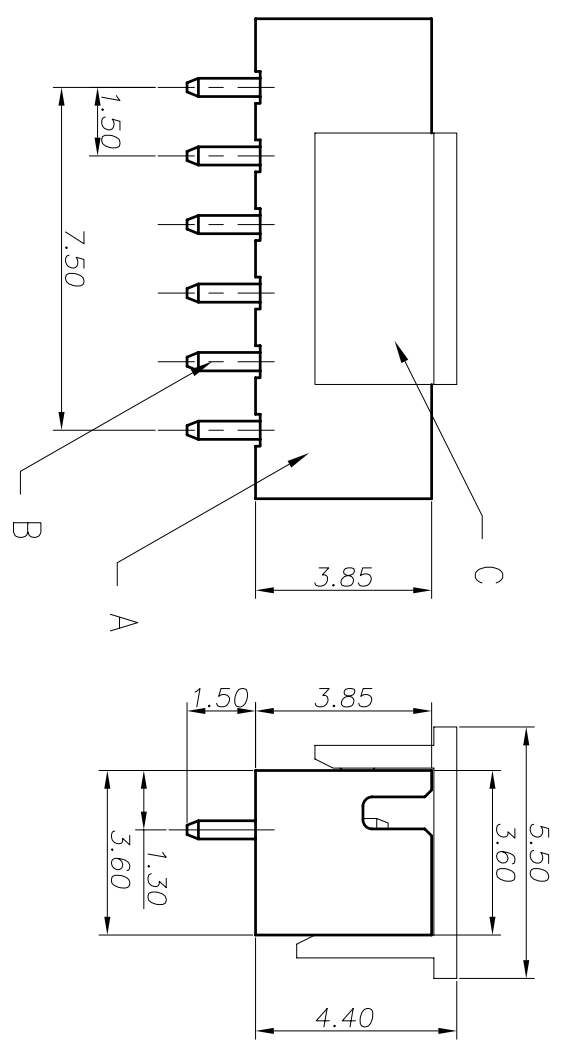
REV	ECN NO OR DESCRIPTION	REVISED	DATE
A	PDR RELEASE	AMYC	2009.08.24

Specification

1. OTHER GENERAL SPEC. TO REFER "1.5mm PITCH WIRE SERIES"
2. TO CONFORM TO SINGATRON HAZARDOUS SUBSTANCE FREE SPEC.
3. HALOGEN FREE PRODUCT IDENTIFICATION LABEL ON PACKAGING:
4. PACKAGE : SEE "2WA1569 SERIES" PACKAGE
5. FOR REFLOW SOLDERING LEAD-FREE PROCESS.



P.C.B LAYOUT



PART NO.
2WA1569-006111

- PACKAGE I: T & R
- HOUSING COLOR I: NATURE WHITE
- CONTACT PLATING I: TIN
- CONTACT Circuits : 6 PIN

C	COVER	1	Nylon 10T UL 94V-0	NATURE WHITE
B	CONTACT	6	Brass	TIN PLATING
A	HOUSING	1	Nylon 10T UL 94V-0	NATURE WHITE
NO	DESCRIPTION	QTY	MATERIAL	PLATING & COLOR

UNLESS OTHERWISE SPECIFIED TOLERANCES

DECIMALS:	ANGLES:
X :±0.5	X :±2°
XX :±0.3	XX :±1°
X.XX :±0.2	

Singatron Enterprise Co., Ltd.
信音企業股份有限公司

TITLE	WAFER 1.5mm PITCH DIP TYPE
DMN	AMC 2009.08.24
CHKD	AMC 2009.08.24
APVD	AMC 2009.08.24
PART NO.	2WA1569-006111
SCALE	N/A
UNIT	mm
SIZE	A3
SHEET	1 OF 1
REV	A

CUSTOMER COPY