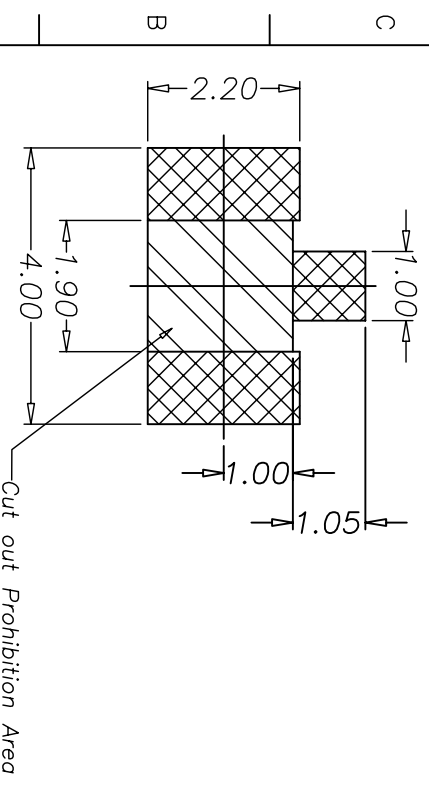
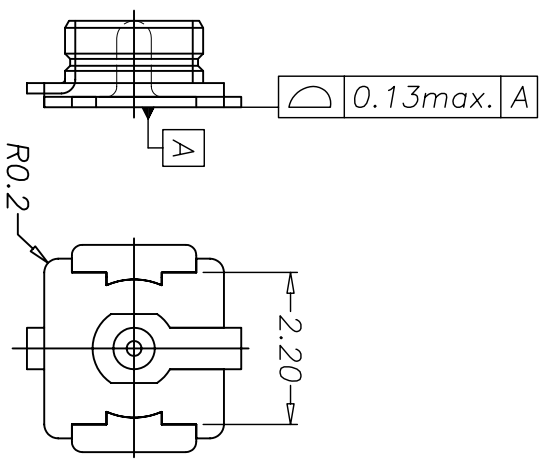
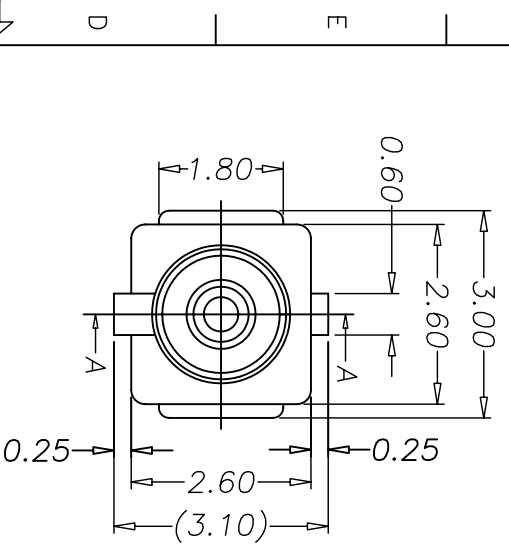


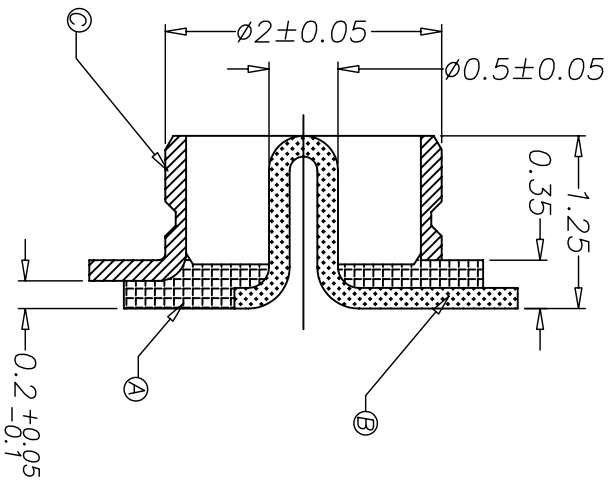
REV	EGN NO OR DESCRIPTION	REVISED	DATE
A	PDR RELEASE	LULU	2007.11.15

SPECIFICATIONS:

1. GREEN PRODUCT IDENTIFICATION LABEL IN PACKING: **G.P. PASS**
2. SOLDER HEAT RESISTANCE : 260°C 10 SECS.
3. SEE "2XC1500-000111 " SPECIFICATION



RECOMMENDED FOOTPRINT PATTERN
<TOP VIEW>
TOLERANCE FOR PCB LAYOUT IS ± 0.05



PART NO.
2XC1500-000111

- PACKAGE & REEL
- 1: TAPE & REEL
- HOUSING COLOR
- 1: BEIGE
- CONTACT
- 1: GROUND
- PLATING

CONTACT: 2u" min. Au PLATING OVER 60u"
NICKEL ON CONTACT AREA
CONTACT: 4u" min. Au PLATING OVER 60u"
NICKEL ON CONTACT AREA
NICKEL ON CONTACT AREA

C	GROUND CONTACT	1	PHOSPHOR BRONZE	2u" min. Au PLATING OVER 60u" NICKEL ON CONTACT AREA
B	CONTACT	1	BRASS	4u" min. Au PLATING OVER 60u" NICKEL ON CONTACT AREA
A	HOUSING	1	LCP UL94V-0	BEIGE COLOR
NO	DESCRIPTION	QTY	MATERIAL	PLATING & COLOR
UNLESS OTHERWISE SPECIFIED TOLERANCES				
DECIMALS: ANGLES: X :±0.5 X :±2° X.X :±0.3 X.X :±1° X.XX :±0.2				
TITLE MICRO COAXIAL CONNECTOR RECEPTACLE V/T TYPE				
DWN LULU 2007.11.15 PART NO. 2XC1500-000111				
CHKD LAMON 2007.11.15 SCALE: 1/1 UNIT: mm				
APVD LAMON 2007.11.15 SIZE: A3 SHEET: 1 OF 1 REV: A				

Singatron Enterprise Co., Ltd.
信音企業股份有限公司

CUSTOMER COPY