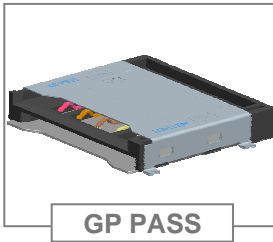




SIM Card Connector



2SM3006-004111 (SIM Card Connector)

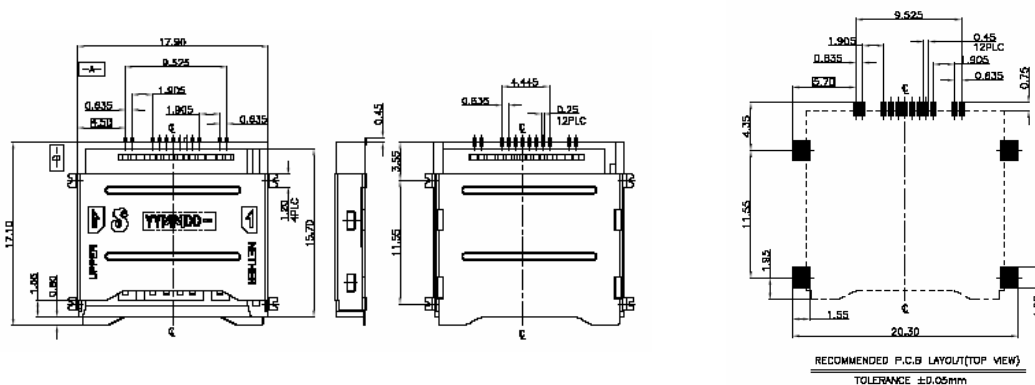


- M/P Location : SZ
- Applications : Mobile
- Features : H: 2.9mm 雙層

Specifications

Items		Specifications
Structure	Outline Dimension (L x W x H)	17.9 x 17.1 x 2.9 mm
	Mounting Method	SMT
Plating	Terminal	Gold flash on allover area over nickel plating
Electrical	Contact Resistance (Initial)	50mΩ Max.
	Insulation Resistance (Initial)	100MΩ Min.
	Voltage Withstand	250V AC 1 Minute
Mechanical	Life Cycle	5,000 Cycles

Dimension



PCB Layout

If you have any question, please contact with marketing