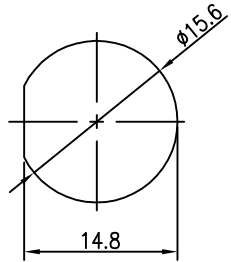


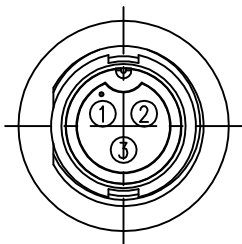
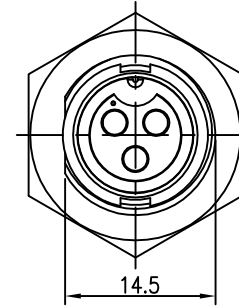
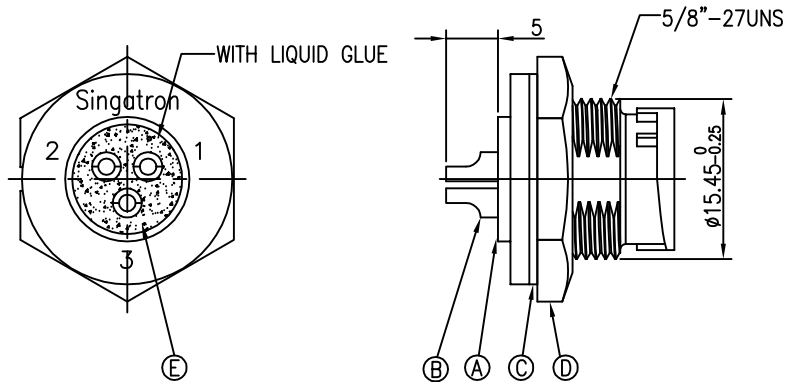
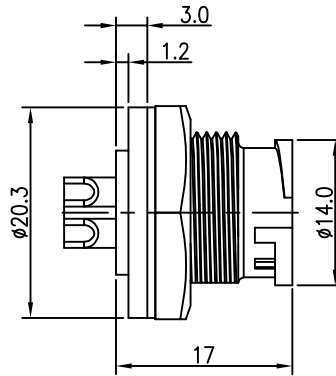
REV.	ECN NO OR DESCRIPTION	REVISED	DATE
A	PDRNO:T090623-1A	HARLEN	2009.10.15
B	ECN NO.:S121109	YF	2014.03.28

NOTES:

1. WATERPROOF RATE: IP67  
IP67: IMMERSED IN 1M WATER FOR 30 MINUTES
2. ELECTRICAL CHARACTERISTICS  
TEMPERATURE RANGE: -40°C TO +100°C  
CURRENT RATING: 10A  
DIELECTRIC WITHSTANDING VOLTAGE: 1000V AC FOR ONE MINUTE
3. SPECIFICATIONS:SEE "CIRCULAR SERIES SPECIFICATIONS".
4. TO CONFORM TO SINGATRON HAZARDOUS SUBSTANCE FREE SPEC.
5. GREEN PRODUCT IDENTIFICATION LABEL ON PACKAGING: G.P. PASS
6. FOR PANEL THICKNESS MAX OF 4.0mm



RECOMMENDED PANEL CUT-OUT



PIN ASSIGNMENTS  
FRONT VIEW

E	LIQUID GLUE	1	N/A	BLACK
D	NUT	1	NYLON+GF	BLACK
C	GASKET	1	EPDM	BLACK
B	FEMALE PIN	3	Phosphor Bronze Alloy	1u" GOLD PLATED OVER NICKEL PLATING
A	BODY	1	NYLON+GF	BLACK
NO	DESCRIPTION	QTY	MATERIAL	PLATING & COLOR

UNLESS OTHERWISE SPECIFIED TOLERANCES

DECIMALS: ANGLES:  
X :±0.5 X :±2°  
X.X :±0.3 X.X :±1°  
X.XX :±0.2

Sgconn Singatron Electronic(China) Co., Ltd.  
信音電子(中國)股份有限公司

TITLE	CIRCULAR STANDARD SIZE (SOLDER/LOCK TYPE) MALE CONN. FEMALE 3PIN(10A)		
DWN	YF	<b>PART NO.2CT3014-X03400</b>	
CHKD	Harlen	SCALE 2:1	UNIT: mm
APVD	Quan	SIZE: A3	SHEET:1 OF 1

**REV: B**  
**CUSTOMER COPY**