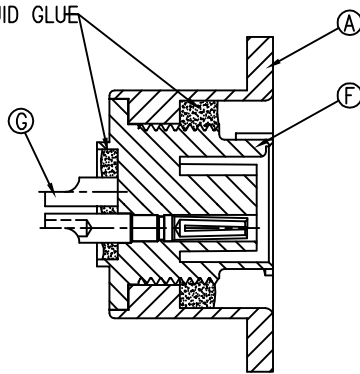
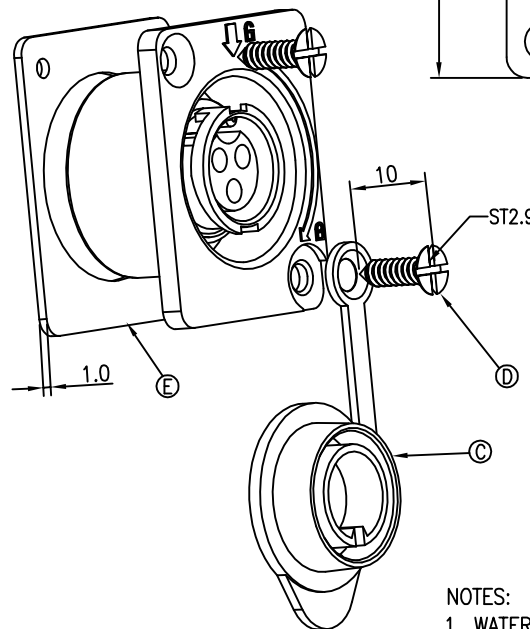
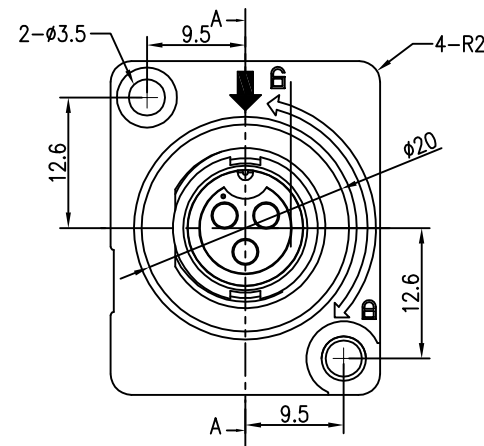
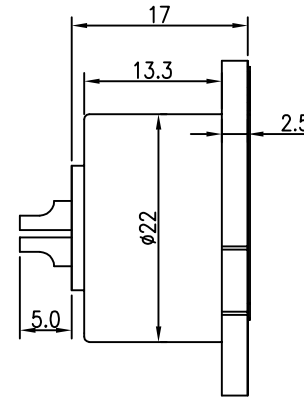
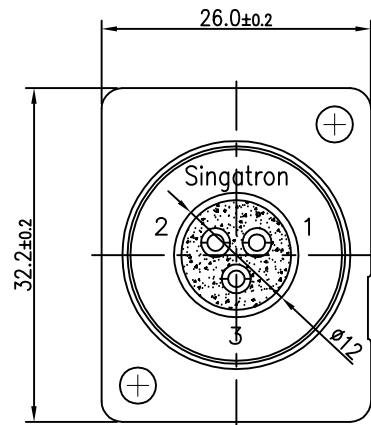


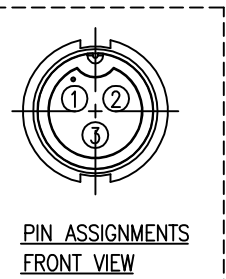
REV.	ECN NO OR DESCRIPTION	REVISED	DATE
A	PDR NO:T091221-2A	HARLEN	2010.03.23
B	ECN NO:S110707	HARLEN	2011.8.1
C	ECN NO.:S121109	YF	2014.03.28



⑥ WITH LIQUID GLUE

A-A SECTION

- NOTES:
1. WATERPROOF RATE: IP55
 2. ELECTRICAL CHARACTERISTICS
TEMPERATURE RANGE: -40°C TO +100°C
CURRENT RATING: 10A
DIELECTRIC WITHSTANDING VOLTAGE: 1000V AC FOR ONE MINUTE
 3. SPECIFICATIONS:SEE "CIRCULAR SERIES SPECIFICATIONS".
 4. TO CONFORM TO SINGATRON HAZARDOUS SUBSTANCE FREE SPEC.
 5. GREEN PRODUCT IDENTIFICATION LABEL ON PACKAGING: **[G.P. PASS]**
 6. 螺絲,墊片及防塵蓋以附件形式包裝出貨
 7. THE TORQUE OF SCREWING 3.5KGF MAX
 8. AFTER 5000CYCLES LIFE TEST OF DUST CAP WITHOUT ANY FRACTURES OR CRACKS OF THE BAD SITUATION.



PIN ASSIGNMENTS FRONT VIEW

NO	DESCRIPTION	QTY	MATERIAL	PLATING & COLOR
G	FEMALE PIN	3	Phosphor Bronze	1u" GOLD PLATING OVER NICKEL PLATING
F	PANEL BODY	1	PA66+30%GF	BLACK
E	GASKET	1	EPDM 70°	BLACK
D	SCREW	2	STAINLESS STEEL	N/A
C	DUST CAP	1	HYTREL 4056	BLACK
B	LIQUID GLUE	1	N/A	BLACK
A	HOUSING	1	PA66+30%GF	BLACK

UNLESS OTHERWISE SPECIFIED TOLERANCES

DECIMALS:	ANGLES:	TITLE	3PIN POWER SOCKET(10A)
X :±0.5	X :±2°	DWN	YF
X.X :±0.3	X.X :±1°	CHKD	Harlen
X.XX :±0.2		APVD	Quan

Sgconn Singatron Electronic(China) Co., Ltd.
信音電子(中國)股份有限公司

SCALE 2:1 UNIT: mm

SIZE: A3 SHEET:1 OF 1 **REV:C**

CUSTOMER COPY