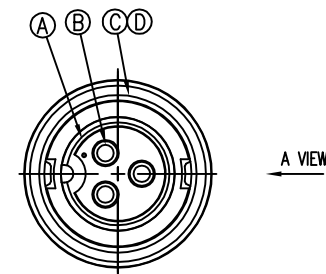
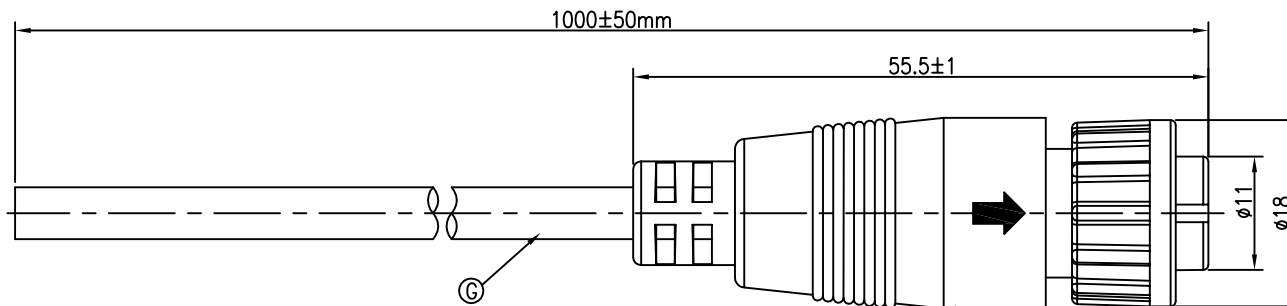
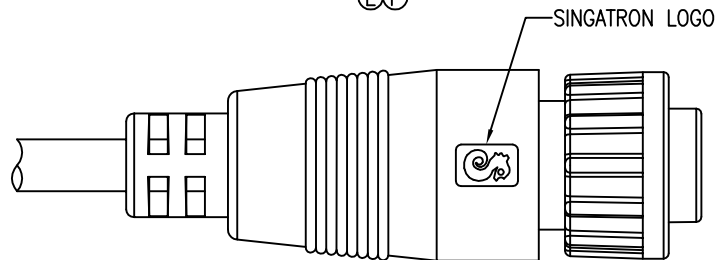


REV.	ECN NO OR DESCRIPTION	REVISED	DATE
A	PDR NO.:T090623-1B	Harlen	2009.06.23



Conn.

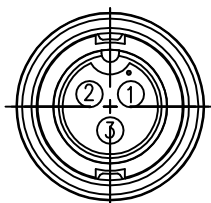
CONN. WATERPROOF RATE: IP67



A VIEW

YELLOW	3
WHITE	2
BLACK	1
WIRE COLOR	CONN.

PIN OUT



Pin Assignments
Front View

NOTES:

1. WATERPROOF RATE: IP67
IP67: IMMERSED IN 1M WATER FOR 30 MINUTES
2. SPECIFICATIONS:SEE "CIRCULAR SERIES SPECIFICATIONS".
3. TO CONFORM TO SINGATRON HAZARDOUS SUBSTANCE FREE SPEC.
4. GREEN PRODUCT IDENTIFICATION LABEL ON PACKAGING: G.P. PASS

NO	DESCRIPTION	QTY	MATERIAL	PLATING & COLOR
G	CABLE	1	UL2464 20AWG*3C+ Al/My(UV RESISTANT) OD=φ5.0	BLACK PVC JACKET
F	INNER MOLD	1	TPU	NATURAL
E	OVER MOLD	1	PVC	BLACK
D	O-RING	1	EPDM	BLACK
C	LOCK NUT	1	NYLON+GF	BLACK
B	MALE PIN	3	HBi59-1.5B	1u" GOLD PLATED OVER NICKEL PLATING
A	BODY	1	NYLON+GF	BLACK

UNLESS OTHERWISE SPECIFIED TOLERANCES

DECIMALS: ANGLES:
X :±0.5 X :±2°
X.X :±0.3 X.X :±1°
X.XX :±0.2

TITLE	CIRCULAR STANDARD SIZE (LOCK TYPE) FEMALE CONN. MALE 3 PIN(10A)		
DWN	HARLEN 2009.10.30	PART NO.2CT3016-X03401	
CHKD	STEVE 2009.10.30	SCALE 2:1	UNIT: mm
APVD	MAX 2009.10.30	SIZE: A3	SHEET:1 OF 1 REV:A

CUSTOMER COPY

Singatronic (China) Co., Ltd. 信音電子(中國)股份有限公司