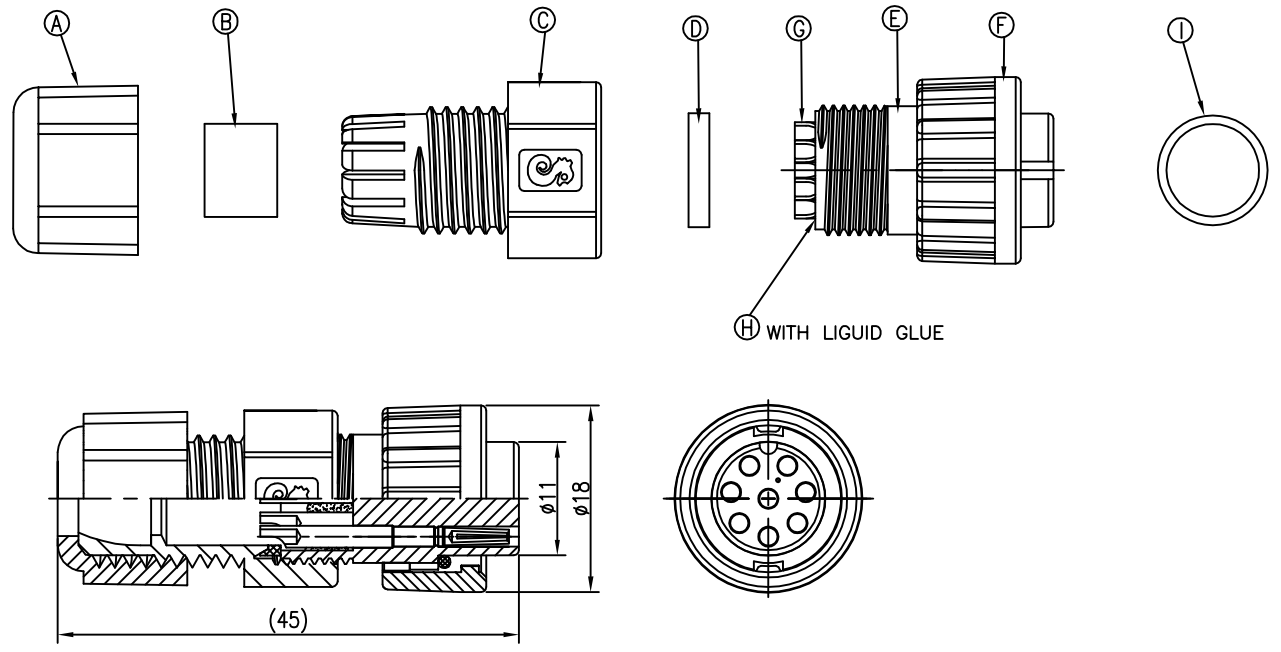


F	2CT3032-X02400		10A	18AWG~20AWG *2C
	2CT3032-X03400		10A	18AWG~20AWG *3C
E	2CT3032-X04400		10A	18AWG~20AWG *4C
	2CT3032-X04300		5A	22AWG~24AWG *4C
D	2CT3032-X05300		5A	22AWG~24AWG *5C
	2CT3032-X06300		5A	22AWG~24AWG *6C
C	2CT3032-X07300		5A	22AWG~24AWG *7C
	2CT3032-X08300		5A	22AWG~24AWG *8C
B	2CT3032-X10200		2A	24AWG~26AWG *10C
	2CT3032-X12200		2A	24AWG~26AWG *12C
A	P/N:	Pin Assignments Front View	Current Rating	Recommended Cable AWG

REV.	ECN NO OR DESCRIPTION	REVISED	DATE
A	PDR NO.:T090903-6A~6J	Harlen	2009.09.12



- NOTES:
- WATERPROOF RATE: IP67
IP67: IMMERSED IN 1M WATER FOR 30 MINUTES
 - SEAL1 FOR CABLE OD:φ4.0mm~φ6.5mm
 - SPECIFICATIONS:SEE "CIRCULAR SERIES SPECIFICATIONS".
 - TO CONFORM TO SINGATRON HAZARDOUS SUBSTANCE FREE SPEC.
 - GREEN PRODUCT IDENTIFICATION LABEL ON PACKAGING: G.P. PASS
 - ORDER INFORMATION:
2CT3032-XXXX00

2-CURRENT RATING 2A
 3-CURRENT RATING 5A
 4-CURRENT RATING 10A
 02~12- 2~12 PIN

NO	DESCRIPTION	QTY	MATERIAL	PLATING & COLOR
I	O-RING	1	EPDM	BLACK
H	LIQUID GLUE	1		BLACK
G	FEMALE PIN	*	Phosphor Bronze	6u" GOLD PLATING OVER NICKEL PLATING
F	LOCK NUT	1	NYLON+GF	BLACK
E	BODY	1	NYLON+GF	BLACK
D	GASKET	1	SILICONE	BLACK
C	CLAMP RING	1	PPE	BLACK
B	SEAL	1	EPDM	BLACK
A	SEALING NUT	1	PPE	BLACK

UNLESS OTHERWISE SPECIFIED TOLERANCES

DECIMALS: X :±0.5 X.X :±0.3 X.XX :±0.2
 ANGLES: X :±2° X.X :±1°

Sgconn Singatron Electronic(China) Co., Ltd.
 Waterproof Connectors 信音電子(中國)股份有限公司

TITLE: CIRCULAR STANDARD SIZE (IP67) FEMALE CONN. FEMALE (2~12)PIN ASSEMBLY TYPE
 DWN Harlen 2010.01.12 PART NO. 2CT3032-X□□□□00
 CHKD Steve 2010.01.12 SCALE 2:1 UNIT: mm
 APVD Max 2010.01.12 SIZE: A3 SHEET: 1 OF 1 REV: A

CUSTOMER COPY