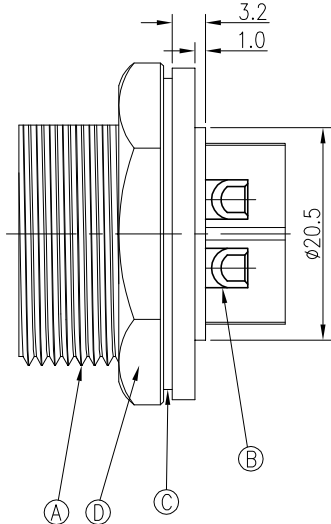
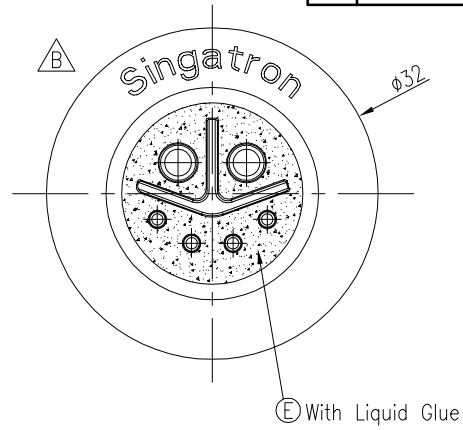
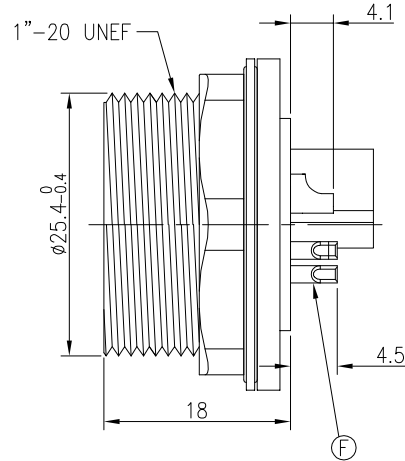
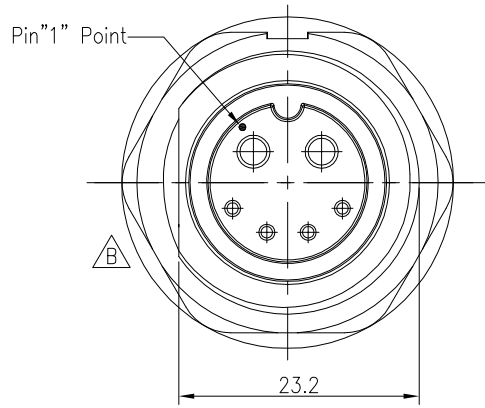
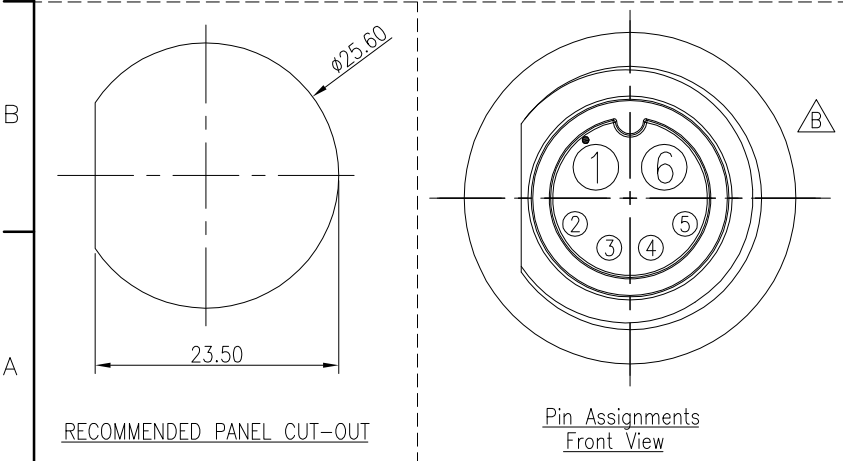


1 2 3 4 5 6 7 8

REV.	ECN NO OR DESCRIPTION	REVISED	DATE
A	PDR NO.:C100916-1A	Shawn	2011.01.12
B	ECN NO.:S120723	Shawn	2013.09.10



- NOTES:**
1. WATERPROOF RATE: IP66/IP67
 2. ELECTRICAL CHARACTERISTICS
TEMPERATURE RANGE: -40°C TO +100°C
CURRENT RATING: 20A+5A
DIELECTRIC WITHSTANDING VOLTAGE: 500V AC FOR ONE MINUTE
 3. SPECIFICATIONS:SEE "CIRCULAR SERIES SPECIFICATIONS".
 4. TO CONFORM TO ROHS REQUIREMENT AND REACH REGULATION
 5. GREEN PRODUCT IDENTIFICATION LABEL ON PACKAGING: **G.P. PASS**
 6. FOR PANEL THICKNESS MAX OF 3.5mm
 7. NON-HUMAN FACTORS CASE SERVICE LIFE IS 5 YEARS
 8. TORQUE FORCE: 0.8~1.0N.m



F	FEMALE PIN	4	Phosphor Bronze	6u" GOLD PLATING OVER NICKEL PLATING
E	LIQUID GLUE	1	N/A	BLACK
D	NUT	1	NYLON+33%GF	BLACK
C	GASKET	1	EPDM	BLACK
B	FEMALE PIN	2	Phosphor Bronze	1~3u" GOLD PLATING OVER NICKEL PLATING
A	BODY	1	NYLON+33%GF	BLACK
NO	DESCRIPTION	QTY	MATERIAL	PLATING & COLOR

UNLESS OTHERWISE SPECIFIED TOLERANCES

DECIMALS: ANGLES:
X :±0.5 X :±2°
X.X :±0.3 X.X :±1°
X.XX :±0.2

SGconn Singatron Electronic(China) Co., Ltd.
Waterproof Connectors 信音電子(中國)股份有限公司

TITLE	CIRCULAR LARGE SIZE (SOLDER/SCREW TYPE) MALE CONN. FEMALE PIN(20A+5A)		
DWN	Shawn	PART NO.2CG3015-X06F00	
CHKD	Harlen	SCALE 2:1	UNIT: mm
APVD	Quan	SIZE: A3	SHEET:1 OF 1

REV: B

CUSTOMER COPY

1 2 3 4 5 6 7 8