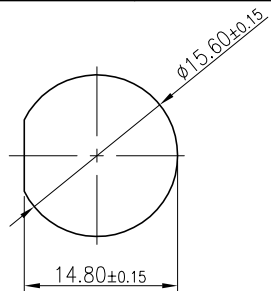
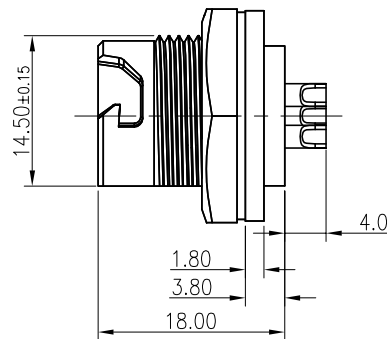


REV.	ECN NO OR DESCRIPTION	REVISED	DATE
1	PDR NO.:S131028-6A/B/7A	Lx-Wu	2014.02.07

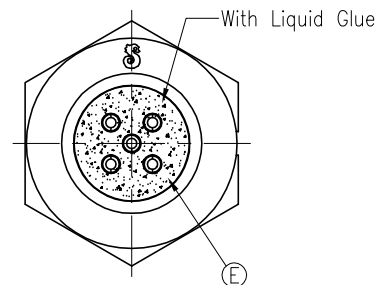
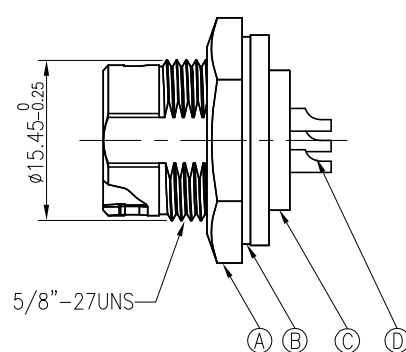
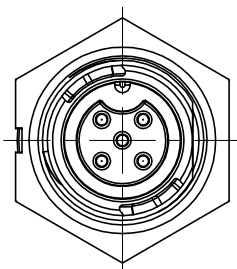


RECOMMENDED PANEL CUT-OUT



TABLE_1

2QT3014-X05300H		5A (5PIN)
2QT3014-X03400H		10A (3PIN)
2QT3014-X02400H		10A (2PIN)
P/N:	PIN ASSIGNMENTS FRONT VIEW	CURRENT RATING



NOTES:

1. WATERPROOF RATE: IP67(WHEN PROPERLY MATED)
IP67: IMMERSED IN 1M WATER FOR 30 MINUTES
2. CURRENT RATING: SEE TABLE_1
3. SPECIFICATIONS SEE "CIRCULAR SERIES SPECIFICATIONS".
4. TO CONFORM TO SINGATRON HAZARDOUS SUBSTANCE FREE SPEC.
5. GREEN PRODUCT IDENTIFICATION LABEL ON PACKAGING: **G.P. PASS**
6. FOR PANEL THICKNESS MAX OF 4.0mm

E	LIQUID GLUE	1	N/A	BLACK
D	FEMALE PIN	*	COPPER ALLOY	1u" GOLD PLATING OVER NICKEL PLATING
C	BODY	1	THERMOPLASTIC	GRAY(PANTONG 427C)
B	GASKET	1	EPDM	BLACK
A	NUT	1	THERMOPLASTIC	GRAY(PANTONG 427C)
NO	DESCRIPTION	QTY	MATERIAL	PLATING & COLOR
UNLESS OTHERWISE SPECIFIED TOLERANCES		Singatron Electronic(China) Co., Ltd. 		
DECIMALS:		TITLE		
X	:±0.5	CIRCULAR STANDARD SIZE (SOLDER/QUICK TYPE)		
X.X	:±0.3	MALE CONN. FEMALE PIN		
X.XX	:±0.2	DWN	Lx-Wu	PART NO.2QT3014-X0XX00H
		CHKD	SCALE 2:1	UNIT: mm
		APVD	SIZE: A3	SHEET:1 OF 1
		REV: 1		
CUSTOMER COPY				