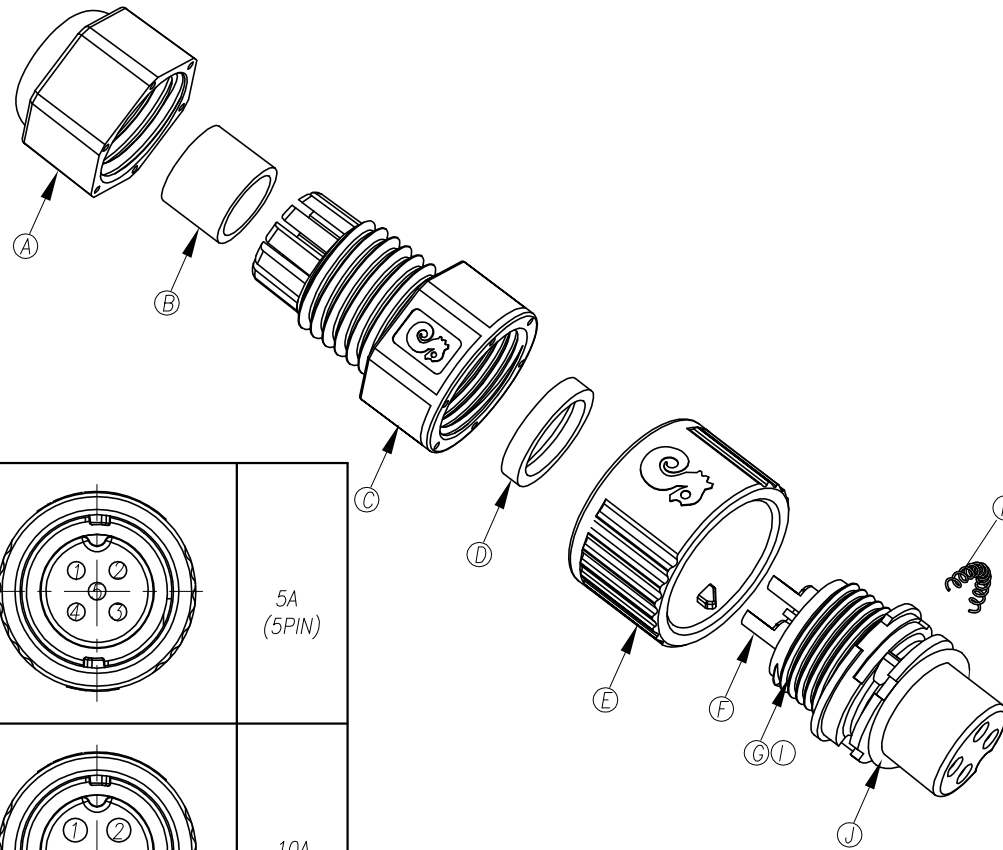
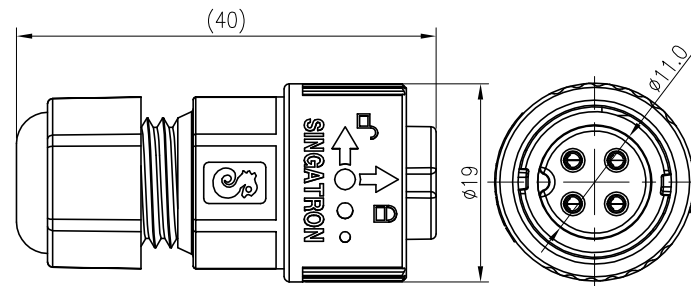


REV.	ECN NO OR DESCRIPTION	REVISED	DATE
1	PDR NO:S130822-5C	Lx-Wu	2013.09.06
2		Lx-Wu	2013.09.10
3	PDR NO:S131028-5C	Lx-Wu	2013.10.18
4		Lx-Wu	2013.11.18
5		Lx-Wu	2013.12.26



TABLE\_1

P/N:	PIN ASSIGNMENTS	CURRENT
2QT3032-X05300H		5A (5PIN)
2QT3032-X04400H		10A (4PIN)
2QT3032-X03400H		10A (3PIN)



△ NOTES:

- ELECTRICAL CHARACTERISTICS:
  - CURRENT RATING: 5~10 AMPS.
  - CONTACT RESISTANCE: 30 mOhm Max.
  - INSULATION RESISTANCE: 100 MOhm Min. at 500VDC.
  - BREAKDOWN VOLTAGE: 500 VAC PER MINUTE .
- ENVIRONMENTAL:
  - OPERATING TEMPERATURE: -40°C TO +105°C.
  - SEALING REQUIREMENTS: IP67.
  - SEAL FOR CABLE OD:  $\phi 4.5\text{mm} \sim \phi 7.0\text{mm}$
- LIFE TEST: 1,000 CYCLES MIN.
- OTHER GENERAL SPEC. TO REFER "QUICK SERIES GENERAL SPEC".
- FOR TECHNICAL DATA REFER TO YOUR LOCAL SINGATRON ELECTRONICS SALES OFFICE.
- ALL DIMENSIONS ARE NOMINAL FOR REFERENCE ONLY UNLESS OTHERWISE STATED.
- TO CONFORM TO SINGATRON HAZARDOUS SUBSTANCE FREE SPEC.
- GREEN PRODUCT IDENTIFICATION LABEL ON PACKAGING: **G.P. PASS**.

J	O-RING	1	SILICONE	BLUE
I	LIQUID GLUE	1	N/A	BLACK
H	SPRING	1	STAINLESS STEEL	N/A
G	BODY	1	THERMOPLASTIC	GRAY(PANTONG 427C)
F	FEMALE PIN	*	COPPER ALLOY	1~3u" GOLD PLATING OVER NICKEL PLATING
E	LOCK NUT	1	THERMOPLASTIC	GRAY(PANTONG 427C)
D	GASKET	1	SILICONE	BLACK
C	CLAMP RING	1	THERMOPLASTIC	GRAY(PANTONG 427C)
B	SEAL	1	EPDM	BLACK
A	SEALING NUT	1	THERMOPLASTIC	GRAY(PANTONG 427C)
NO	DESCRIPTION	QTY	MATERIAL	PLATING & COLOR

UNLESS OTHERWISE SPECIFIED TOLERANCES

DECIMALS: X :±0.5 X.X :±0.3 X.XX :±0.2  
 ANGLES: X :±2° X.X :±1°

Sscconn Singatron Electronic(China) Co., Ltd.  
 Waterproof Connectors 信音電子(中國)股份有限公司

TITLE QUICK SERIES STANDARD SIZE FEMALE CONN. FEMALE (3,4,5)PIN ASSEMBLY  
 DWN Lx-Wu PART NO.2QT3032-X0XX00H  
 CHKD SCALE 2:1 UNIT: mm  
 APVD SIZE: A3 SHEET: 1 OF 1 REV:5

CUSTOMER COPY