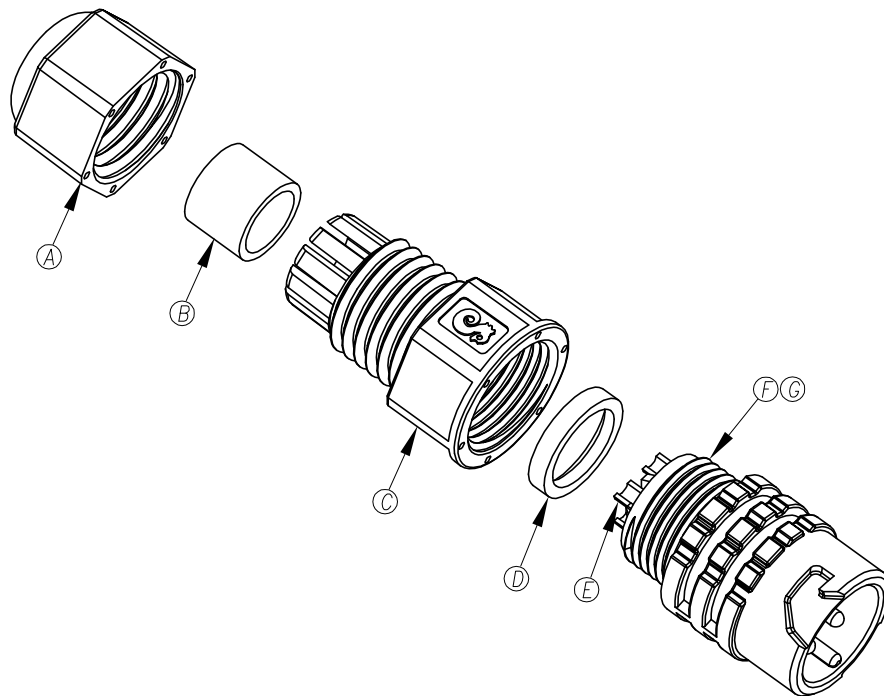


REV.	ECN NO OR DESCRIPTION	REVISED	DATE
1	PDR NO:S130822-5G	Lx-Wu	2013.09.06
3		Lx-Wu	2013.10.14
4		Lx-Wu	2013.11.18



NOTES:

1.ELECTRICAL CHARACTERISTICS:

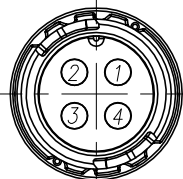
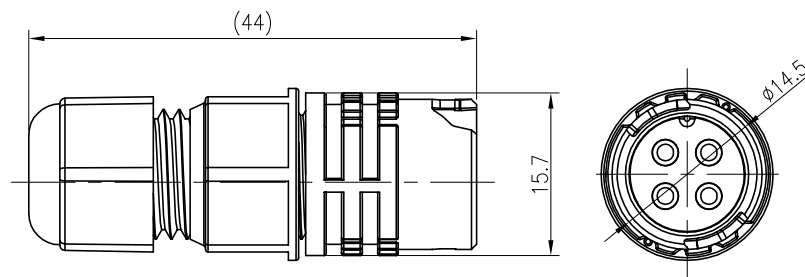
- 1-1. CURRENT RATING:10A
- 1-2. CONTACT RESISTANCE: 30mΩ Max.
- 1-3. DIELECTRIC WITHSTANDING VOLTAGE: 500V AC FOR ONE MINUTE
- 1-4. INSULATION RESISTANCE: 100MΩ MIN. BY 500V DC
- 1-5. OTHER GENERAL SPEC. TO REFER "CIRCULAR QUICK SERIES SPEC".

2. TEMPERATURE RANGE:-40°C TO +100°C

3. SEAL FOR CABLE OD:φ4.5mm~φ7.0mm

4. TO CONFORM TO SINGATRON HAZARDOUS SUBSTANCE FREE SPEC.

5. GREEN PRODUCT IDENTIFICATION LABEL ON PACKAGING: **G.P. PASS**



PIN ASSIGNMENTS
FRONT VIEW

NO	DESCRIPTION	QTY	MATERIAL	PLATING & COLOR
G	LIQUID GLUE	1	N/A	BLACK
F	BODY	1	THERMOPLASTIC	GRAY(PANTONG 427C)
E	MALE PIN	4	COPPER ALLOY	1~3u" GOLD PLATING OVER NICKEL PLATING
D	GASKET	1	SILICONE	BLACK
C	CLAMP RING	1	THERMOPLASTIC	GRAY(PANTONG 427C)
B	SEAL	1	EPDM	BLACK
A	SEALING NUT	1	THERMOPLASTIC	GRAY(PANTONG 427C)

UNLESS OTHERWISE
SPECIFIED TOLERANCES

DECIMALS: ANGLES:
X :±0.5 X :±2°
X.X :±0.3 X.X :±1°
X.XX :±0.2

Sscconn Singatron Electronic(China) Co., Ltd.
Waterproof Connectors 信音電子(中國)股份有限公司

TITLE CIRCULAR QUICK SIZE
MALE CONN. MALE 4PIN ASSEMBLY
DWN Lx-Wu **PART NO.2QT3033-X04400H**
CHKD SCALE 2:1 UNIT: mm
APVD SIZE: A3 SHEET: 1 OF 1 **REV:4**

CUSTOMER COPY