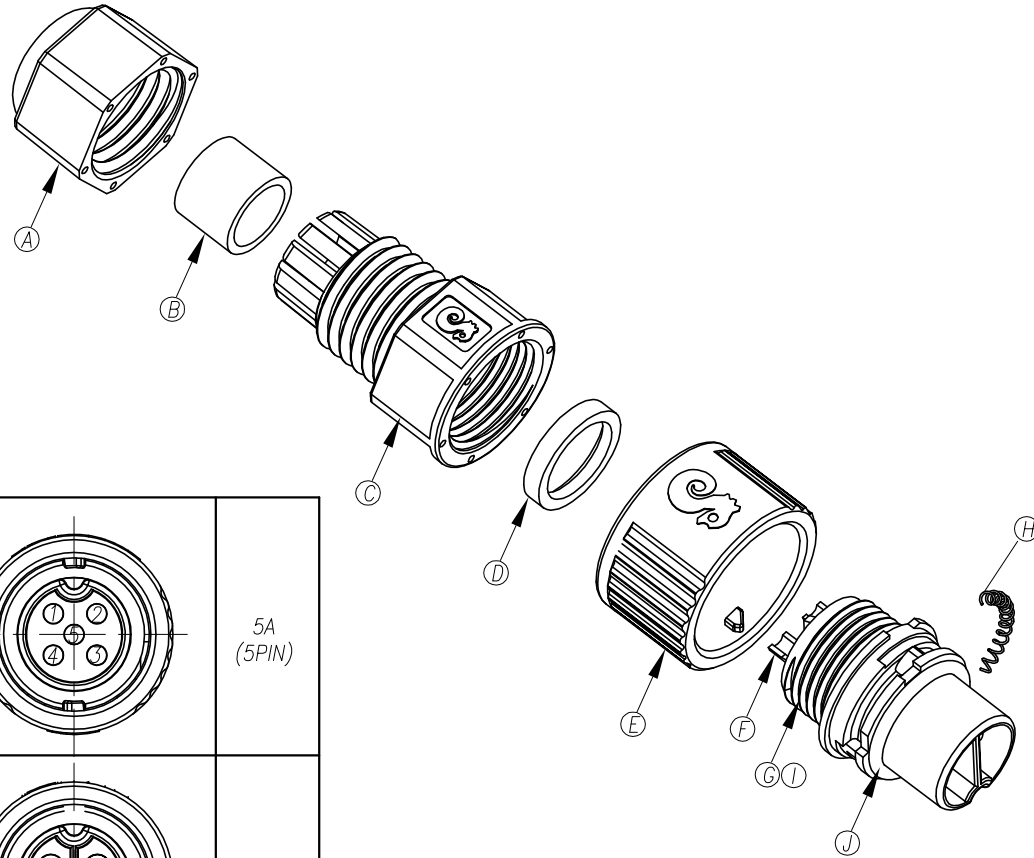
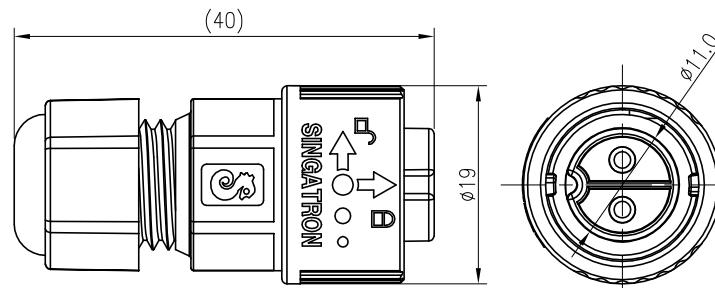


REV.	ECN NO OR DESCRIPTION	REVISED	DATE
1	PDR NO:S130822-5A/B/D	Lx-Wu	2013.09.06
3		Lx-Wu	2013.10.14
4		Lx-Wu	2013.11.18
5		Lx-Wu	2013.12.26



TABLE_1

2QT3036-X05300H		5A (5PIN)
2QT3036-X03400H		10A (3PIN)
2QT3036-X02400H		10A (2PIN)
P/N:	PIN ASSIGNMENTS FRONT VIEW	CURRENT RATING



△ NOTES:

- ELECTRICAL CHARACTERISTICS:
 - CURRENT RATING: 5~10 AMPS.
 - CONTACT RESISTANCE: 30 mOhm Max.
 - INSULATION RESISTANCE: 100 MOhm Min. at 500VDC.
 - BREAKDOWN VOLTAGE: 500 VAC PER MINUTE .
- ENVIRONMENTAL:
 - OPERATING TEMPERATURE: -40°C TO +105°C.
 - SEALING REQUIREMENTS: IP67.
 - SEAL FOR CABLE OD: $\phi 4.5\text{mm} \sim \phi 7.0\text{mm}$
- LIFE TEST: 1,000 CYCLES MIN.
- OTHER GENERAL SPEC. TO REFER "QUICK SERIES GENERAL SPEC".
- FOR TECHNICAL DATA REFER TO YOUR LOCAL SINGATRON ELECTRONICS SALES OFFICE.
- ALL DIMENSIONS ARE NOMINAL FOR REFERENCE ONLY UNLESS OTHERWISE STATED.
- TO CONFORM TO SINGATRON HAZARDOUS SUBSTANCE FREE SPEC.
- GREEN PRODUCT IDENTIFICATION LABEL ON PACKAGING: **G.P. PASS**.

J	O-RING	1	SILICONE	BLUE
I	LIQUID GLUE	1	N/A	BLACK
H	SPRING	1	SUS	N/A
G	BODY	1	THERMOPLASTIC	GRAY(PANTONG 427C)
F	MALE PIN	*	COPPER ALLOY	1~3u" GOLD PLATING OVER NICKEL PLATING
E	LOCK NUT	1	THERMOPLASTIC	GRAY(PANTONG 427C)
D	GASKET	1	SILICONE	BLACK
C	CLAMP RING	1	THERMOPLASTIC	GRAY(PANTONG 427C)
B	SEAL	1	EPDM	BLACK
A	SEALING NUT	1	THERMOPLASTIC	GRAY(PANTONG 427C)
NO	DESCRIPTION	QTY	MATERIAL	PLATING & COLOR

UNLESS OTHERWISE SPECIFIED TOLERANCES

DECIMALS: X :±0.5
X.X :±0.3
X.XX :±0.2

ANGLES: X :±2°
X.X :±1°

Ssgconn Singatron Electronic(China) Co., Ltd.
Waterproof Connectors 信音電子(中國)股份有限公司

TITLE QUICK SERIES STANDARD SIZE
FEMALE CONN. MALE (2,3,5)PIN ASSEMBLY

DWN Lx-Wu PART NO.2QT3036-X0XX00H

CHKD SCALE 2:1 UNIT: mm

APVD SIZE: A3 SHEET: 1 OF 1 REV:5

CUSTOMER COPY