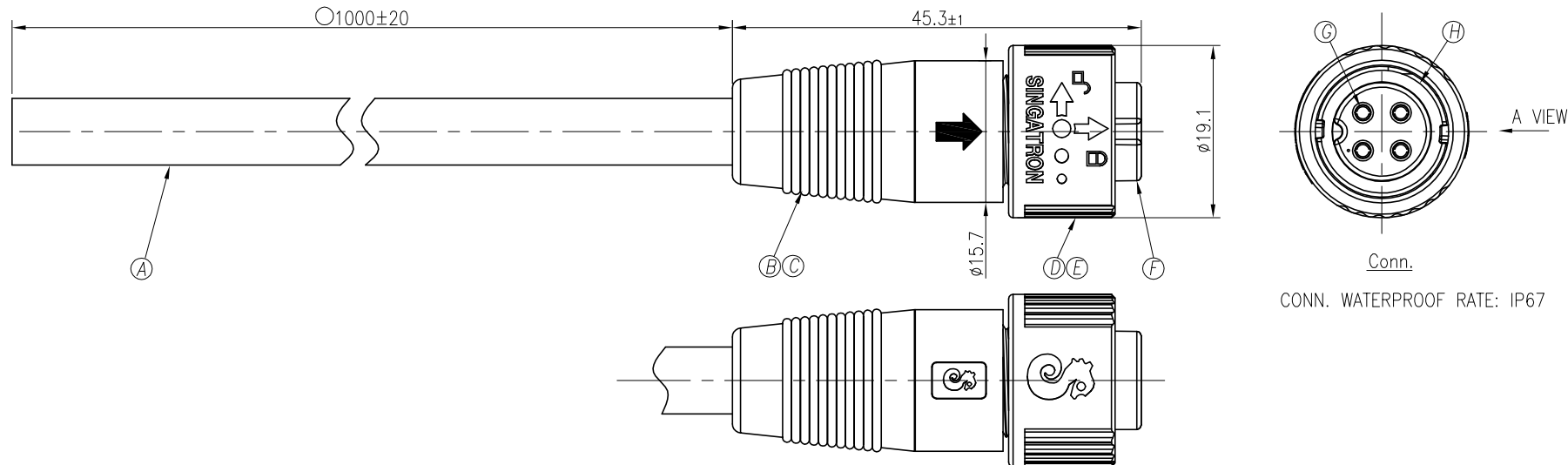
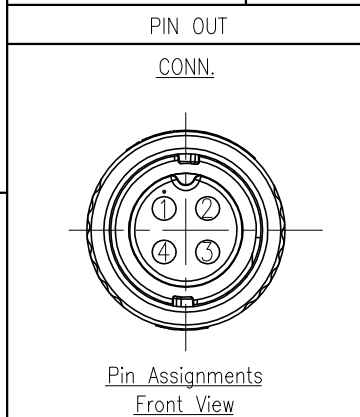


REV.	ECN NO OR DESCRIPTION	REVISED	DATE
1	PDR NO.:S131231-5B	Lx-Wu	2014.02.14



BLACK	4
YELLOW/GREEN	3
BLUE	2
BROWN	1
WIRE COLOR	CONN.



NOTES:

- ELECTRICAL CHARACTERISTICS:
  - 1-1 CURRENT RATING: 10 AMPS.
  - 1-2 CONTACT RESISTANCE: 3 Ohm Max.
  - 1-3 INSULATION RESISTANCE: 100 MOhm Min. at 500VDC.
  - 1-4 BREAKDOWN VOLTAGE: 1000VAC PER MINUTE.
- ENVIRONMENTAL:
  - 2-1 OPERATING TEMPERATURE:  $-20^{\circ}\text{C}$  TO  $+80^{\circ}\text{C}$ .
  - 2-2 SEALING REQUIREMENTS: IP67.
- LIFE TEST: 1,000 CYCLES MIN..
- OTHER GENERAL SPEC TO REFER "QUICK SERIES GENERAL SPEC".
- FOR TECHNICAL DATA REFER TO YOUR LOCAL SINGATRON ELECTRONICS SALES OFFICE.
- ALL DIMENSIONS ARE NOMINAL FOR REFERENCE ONLY UNLESS OTHERWISE STATED.
- TO CONFORM TO SINGATRON HAZARDOUS SUBSTANCE FREE SPEC.
- GREEN PRODUCT IDENTIFICATION LABEL ON PACKAGING: **G.P. PASS**
- REPRESENT CRITICAL DIMENSIONS.

H	O-RING	1	SILICONE	BLUE
G	FEMALE PIN	4	COPPER ALLOY	1~3u" GOLD PLATING OVER NICKEL PLATING
F	BODY	1	PA66	BLACK
E	SPRING	1	SUS	N/A
D	LOCK NUT	1	PC	GREY
C	INNER MOLD	1	PVC	BLACK
B	OVER MOLD	1	TPU	BLACK
A	CABLE	1	IEC 60245 57(YZW) 4x0.75mm <sup>2</sup>	BLACK RUBBER JACKET
NO	DESCRIPTION	QTY	MATERIAL	PLATING & COLOR

UNLESS OTHERWISE SPECIFIED TOLERANCES

DECIMALS:	ANGLES:
X : $\pm 0.3$	X : $\pm 1^{\circ}$
X.X : $\pm 0.2$	X.X : $\pm 0.5^{\circ}$
X.XX : $\pm 0.1$	
X.XXX : $\pm 0.05$	

Singatron Electronic(China) Co., Ltd.  
信音電子(中國)股份有限公司

TITLE	QUICK SERIES STANDARD SIZE FEMALE CONN. FEMALE 4PIN(10A)		
DWN	PART NO.2QT3004-X04401H		
CHKD	SCALE 2:1	UNIT: mm	⊕
APVD	SIZE: A3	SHEET: 1 OF 1	REV:1

ENGINEERING COPY