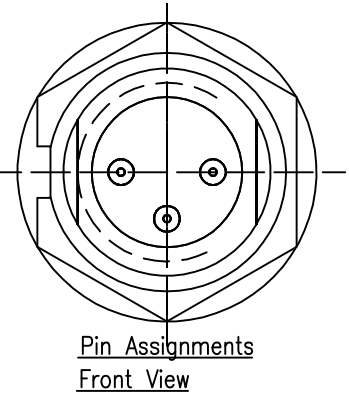
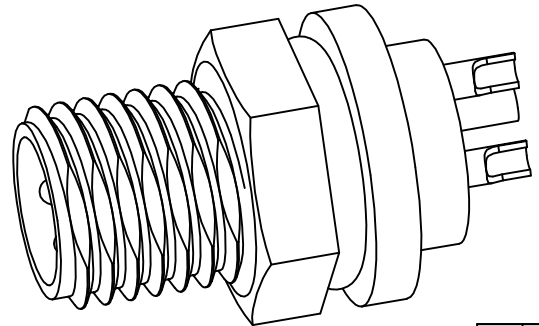
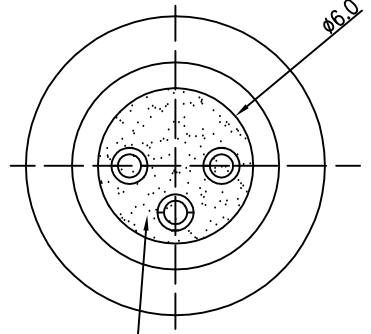
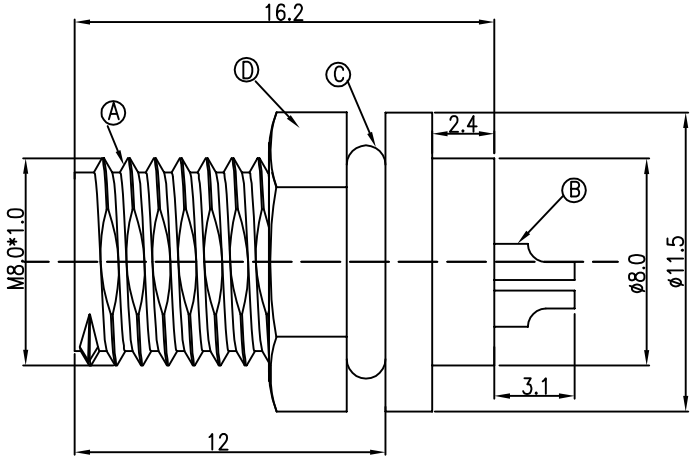
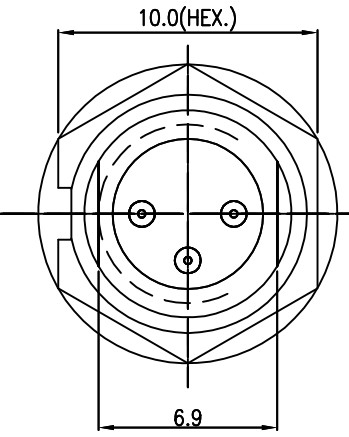
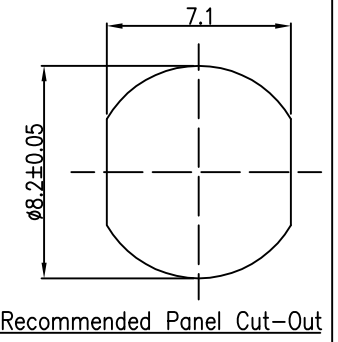


| REV. | ECN NO OR DESCRIPTION | REVISED | DATE     |
|------|-----------------------|---------|----------|
| A    | PDR NO:T100205-4A     | Harlen  | 2010.2.1 |
| B    | ECN NO: S100933       | Harlen  | 10.09.25 |



- NOTES:
1. WATERPROOF RATE: IP67  
IP67: IMMERSED IN 1M WATER FOR 30 MINUTES
  2. ELECTRICAL CHARACTERISTICS  
TEMPERATURE RANGE: -40°C TO +100°C  
RATING: 60V AC/DC 5A  
DIELECTRIC WITHSTANDING VOLTAGE: 500V AC FOR ONE MINUTE
  3. SPECIFICATIONS: SEE "M8 SERIES SPECIFICATIONS".
  4. FOR PANEL THICKNESS MAX OF 3.0mm
  5. TO CONFORM TO SINGATRON HAZARDOUS SUBSTANCE FREE SPEC.
  6. GREEN PRODUCT IDENTIFICATION LABEL ON PACKAGING:

| D                                     | NUT                  | 1                          | NYLON+GF  | BLACK                                  |
|---------------------------------------|----------------------|----------------------------|---|--|
| C                                     | O-ring               | 1                          | Viton 70*   | RED                                    |
| B                                     | MALE PIN             | 3                          | BRASS   | 6u" GOLD PLATING<br>OVER NICKELPLATING |
| A                                     | BODY                 | 1                          | NYLON+GF  | BLACK                                  |
| NO                                    | DESCRIPTION          | QTY                        | MATERIAL  | PLATING & COLOR                        |
| UNLESS OTHERWISE SPECIFIED TOLERANCES |                      |                            | Singatron Electronic(China) Co., Ltd.<br>信音電子(中國)股份有限公司 |  |
| DECIMALS:                             |                      | ANGLES:                    |   |  |
| X                                     | :±0.5                | X                          | :±2°  |  |
| X.X                                   | :±0.3                | X.X                        | :±1°  |  |
| X.XX                                  | :±0.2                |                            |   |  |
| TITLE                                 |                      | M8 SERIES 3Pin PANEL CONN. |   |  |
| DWN                                   | Harlen<br>2010.09.30 | PART NO.2ME3003-X03301     |   |  |
| CHKD                                  | Steve<br>2010.09.30  | SCALE 5:1                  | UNIT: mm  |  |
| APVD                                  | Max<br>2010.09.30    | SIZE: A3                   | SHEET: 1 OF 1   | REV: B                                 |
| <b>CUSTOMER COPY</b>                  |                      |                            |   |  |