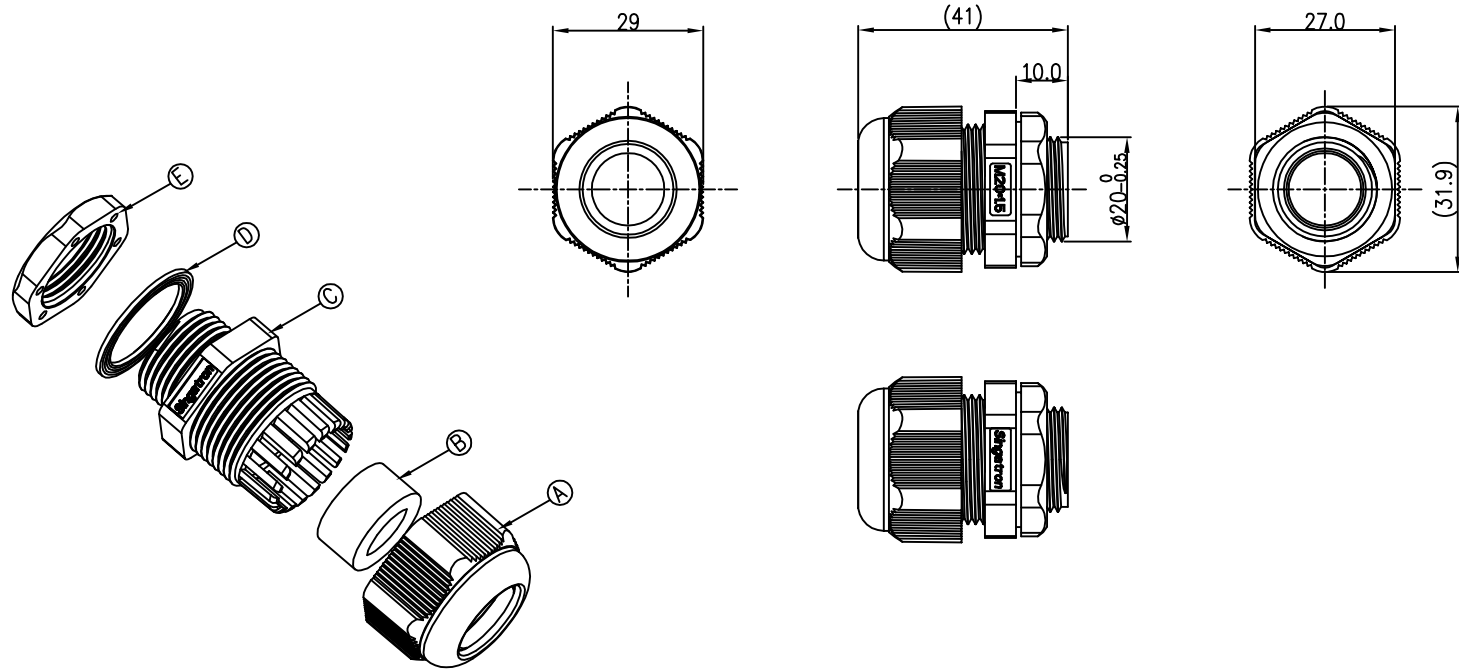





REV.	ECN NO OR DESCRIPTION	REVISED	DATE
A	PDR NO.T110407-8A	LILY	2011.10.10



NOTES:

1. WATERPROOF RATE: IP68(WHEN PROPERLY MATED)
IP68: IMMERSED IN 1M WATER FOR 24 HOURS.
2. TEMPERATURE RANGE:-40°C TO +100°C
3. SEAL FOR CABLE OD:φ5.5mm~φ11.2mm
4. TO CONFORM TO THE SINGATRON HAZARDOUS SUBSTANCE FREE SPEC.
5. GREEN PRODUCT IDENTIFICATION LABEL ON PACKAGING: G.P. PASS

E	NUT	1	PPE 540Z 94V-0	BLACK
D	O-RING	1	SILICONE	BLACK
C	CLAMP RING	1	PPE 540Z 94V-0	BLACK
B	SEAL	1	SILICONE	BLACK
A	SEALING NUT	1	PPE 540Z 94V-0	BLACK
NO	DESCRIPTION	QTY	MATERIAL	PLATING & COLOR
UNLESS OTHERWISE SPECIFIED TOLERANCES			 Singatron Electronic(China) Co., Ltd.  信音電子(中國)股份有限公司	
DECIMALS:		ANGLES:		
X	:±0.5	X	:±2°	
X.X	:±0.3	X.X	:±1°	
X.XX	:±0.2			
TITLE	M20*1.5 CABLE GLAND(φ5.5~φ11.2)(BLACK)			
DWN	LILY	PART NO.2CT3100-X00089H		
CHKD	Shawn	SCALE 1:1	UNIT: mm	
APVD	Tony	SIZE: A3	SHEET:1 OF 1	REV: A
CUSTOMER COPY				