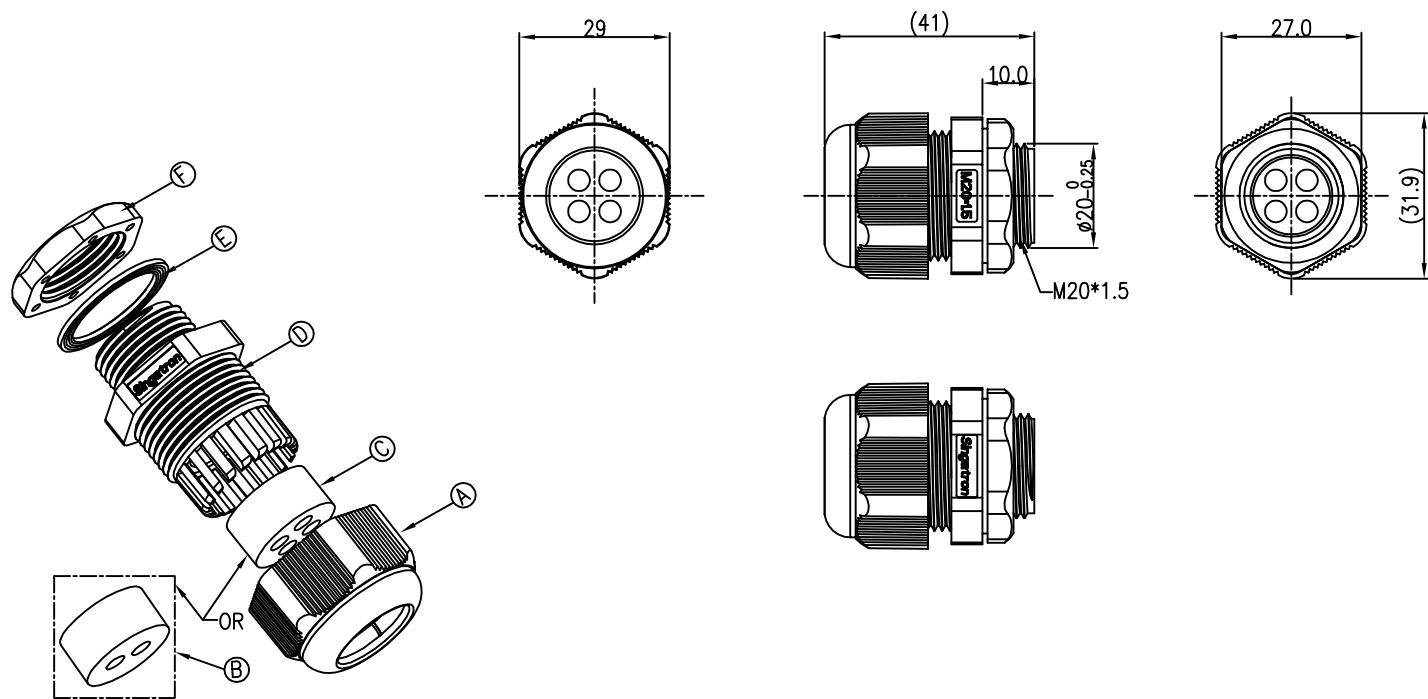


REV.	ECN NO OR DESCRIPTION	REVISED	DATE
A	PDR NO.C120314-9A~9B	LILY	2012.05.15



P/N	CABLE OD.
2CT3100-X00147H	2* ϕ 3.0~ ϕ 4.0
2CT3100-X00148H	4* ϕ 3.0~ ϕ 4.0

NOTES:

1. WATERPROOF RATE: IP68(WHEN PROPERLY MATED)
IP68: IMMERSED IN 1M WATER FOR 24 HOURS.
2. TEMPERATURE RANGE:-40°C TO +100°C
3. SEAL1 FOR CABLE OD:2*(ϕ 3.0mm~ ϕ 4.0mm)
SEAL2 FOR CABLE OD:4*(ϕ 3.0mm~ ϕ 4.0mm)
4. TO CONFORM TO THE SINGATRON HAZARDOUS SUBSTANCE FREE SPEC.
5. GREEN PRODUCT IDENTIFICATION LABEL ON PACKAGING:

NO	DESCRIPTION	QTY	MATERIAL	PLATING & COLOR
F	NUT	1	PPE	BLACK
E	O-RING	1	SILICONE	BLACK
D	CLAMP RING	1	PPE	BLACK
C	CABLE SEAL2	1	SILICONE	BLACK
B	CABLE SEAL1	1	SILICONE	BLACK
A	SEALING NUT	1	PPE	BLACK

UNLESS OTHERWISE SPECIFIED TOLERANCES

DECIMALS: X : \pm 0.5 X.X : \pm 0.3 X.XX : \pm 0.2
 ANGLES: X : \pm 2° X.X : \pm 1°

SGCONN Singatron Electronic(China) Co., Ltd.
 Waterproof Connectors 信音電子(中國)股份有限公司

TITLE M20*1.5 CABLE GLAND (BLACK)
 (2* ϕ 3.0~ ϕ 4.0) OR (4* ϕ 3.0~ ϕ 4.0)

DWN LILY PART NO.2CT3100-X0014XH
 CHKD Steve SCALE 1:1 UNIT: mm
 APVD Max SIZE: A3 SHEET:1 OF 1 REV: A

CUSTOMER COPY