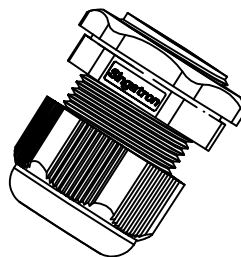
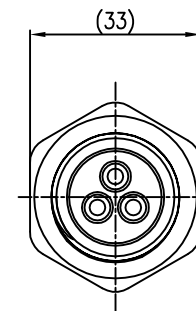
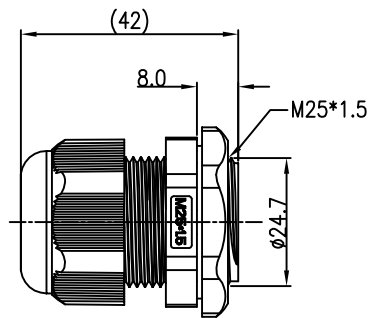
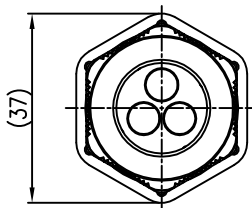
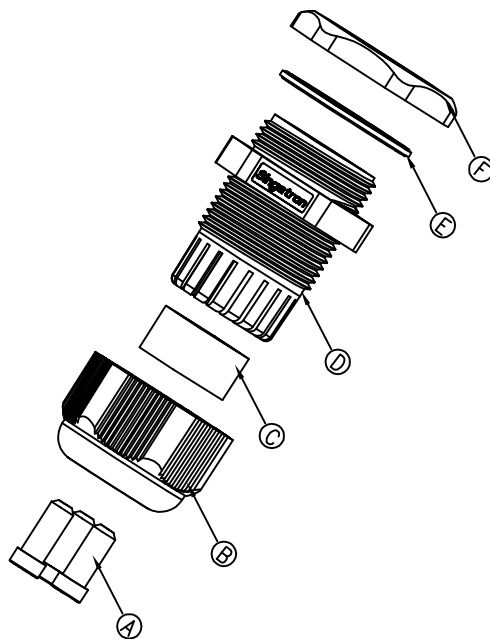


REV.	ECN NO OR DESCRIPTION	REVISED	DATE
A	PDR NO.:S120820-5A	LILY	2012.11.07



NOTES:

1. WATERPROOF RATE: IP68(WHEN PROPERLY MATED)
IP68: IMMERSED IN 1M WATER FOR 24 HOURS
2. GENERAL FLASH:0.05mm max
3. Cable Range: 3*(ϕ 3.0mm~ ϕ 6.0mm)
4. TO CONFORM TO THE SINGATRON HAZARDOUS SUBSTANCE FREE SPEC.
5. GREEN PRODUCT IDENTIFICATION LABEL ON PACKAGING: G.P. PASS

F	NUT	1	PPE	BLACK
E	O-RING	1	SILICONE	BLACK
D	CLAMP RING	1	PPE	BLACK
C	SEAL	1	SILICONE	BLACK
B	SEALING NUT	1	PPE	BLACK
A	SEAL	3	SILICONE	BLACK
NO	DESCRIPTION	QTY	MATERIAL	PLATING & COLOR
UNLESS OTHERWISE SPECIFIED TOLERANCES			Singatron Electronic(China) Co., Ltd. 信音電子(中國)股份有限公司	
DECIMALS:		TITLE		
X	:±0.5	M25*1.5 CABLE GLAND(BLACK)		
X.X	:±0.3	DWN LILY PART NO.2CT3100-X00167H		
X.XX	:±0.2	CHKD Shawn SCALE 1:1 UNIT: mm		
		APVD Steve SIZE: A3 SHEET:1 OF 1 REV:A		
CUSTOMER COPY				