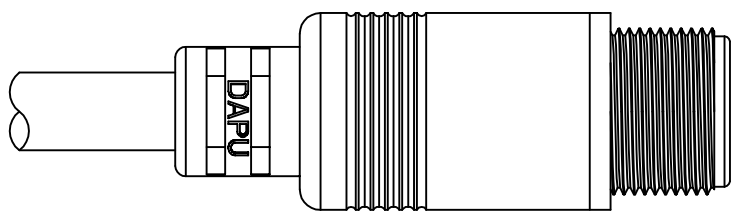
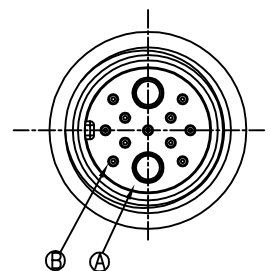
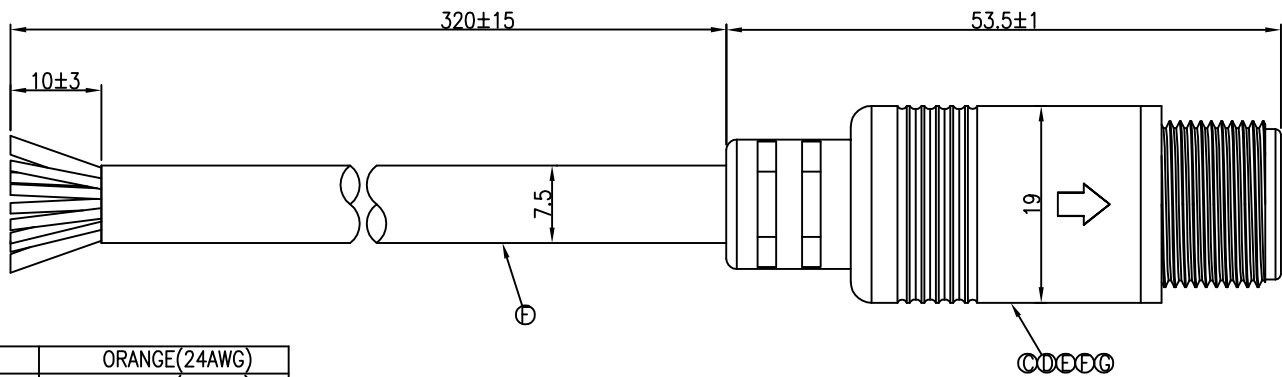
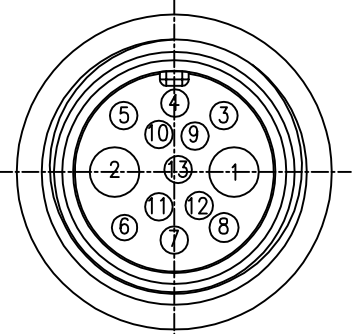


REV.	ECN NO OR DESCRIPTION	REVISED	DATE
A	PDR NO:S130617-7D	Harlen	2013.11.15



13	ORANGE(24AWG)
12	PURPLE(24AWG)
11	WHITE(24AWG)
10	GRAY(24AWG)
9	PINK(24AWG)
8	BROWN(24AWG)
7	BLACK(24AWG)
6	RED(24AWG)
5	BLUE(24AWG)
4	GREEN(24AWG)
3	YELLOW(24AWG)
2	BLACK(16AWG)
1	RED(16AWG)
CONN.1	WIRE COLOR



Pin Assignments
Front View

NOTES:

- ELECTRICAL CHARACTERISTICS:
 - 1-1 CURRENT RATING: 15 AMPS(CONN.1 Pin1or Pin2) 2 AMPS(OTHERS)
 - 1-2 CONTACT RESISTANCE: 3 Ohm Max.
 - 1-3 INSULATION RESISTANCE: 100 MOhm Min. at 500VDC
 - 1-4 BREAKDOWN VOLTAGE: 500 VAC PER MINUTE
- MECHANICAL CHARACTERISTICS:
 - 2-1 TIGHTENING TORQUES: 0.6~0.8Nm(5.3~7.0lbs.in)
- ENVIRONMENTAL:
 - 3-1 OPERATING TEMPERATURE: -20° TO +80°
 - 3-2 SEALING REQUIREMENTS: IP65
- LIFE TEST: 1,000 CYCLES MIN.
- OTHER GENERAL SPEC. TO REFER "CIRCULAR SERIES GENERAL SPEC".
- FOR TECHNICAL DATA REFER TO YOUR LOCAL SINGATRON ELECTRONICS SALES OFFICE
- ALL DIMENSIONS ARE NOMINAL FOR REFERENCE ONLY UNLESS OTHERWISE STATED
- TO CONFORM TO SINGATRON HAZARDOUS SUBSTANCE FREE SPEC
- GREEN PRODUCT IDENTIFICATION LABEL ON PACKAGING SEAL G.P. PASS

G	SHRINK TUBE	11	ø1.5*7mm	BLACK
F	SHRINK TUBE	2	ø3.0*7mm	BLACK
E	CABLE	1	16#*2C+24#*11C OD7.5	BLACK
D	INNER MOLD	1	THERMOPLASTIC	BLACK
C	OVER MOLD	1	THERMOPLASTIC	BLACK
B	MALE PIN	13	COPPER ALLOY	1~3u" GOLD FLASH OVER NICKEL PLATING
A	BODY	1	THERMOPLASTIC	BLACK
NO	DESCRIPTION	QTY	MATERIAL	PLATING & COLOR
UNLESS OTHERWISE SPECIFIED TOLERANCES		Singatron Electronic(China) Co., Ltd. 		
DECIMALS:	ANGLES:	TITLE E-BIKE SIZE (IP65) MALE CONNECTOR MALE (2+11) PIN SOLDER TYPE, PVC CABLE		
X :±0.5	X :±2°	DWN	Harlen	PART NO.2EB3025-X13B01H
X.X :±0.3	X.X :±1°	CHKD	JF	SCALE 2:1 UNIT: mm
X.XX :±0.2		APVD	QUAN	SIZE: A3 SHEET:1 OF 1 REV:A
CUSTOMER COPY				