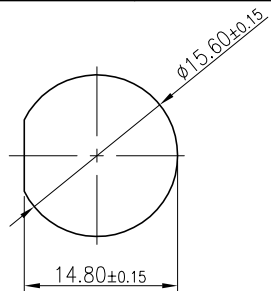
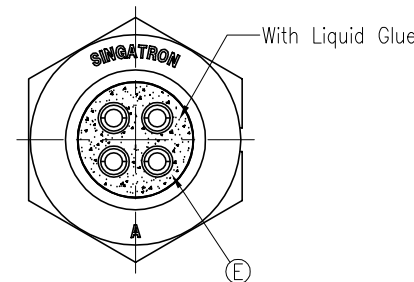
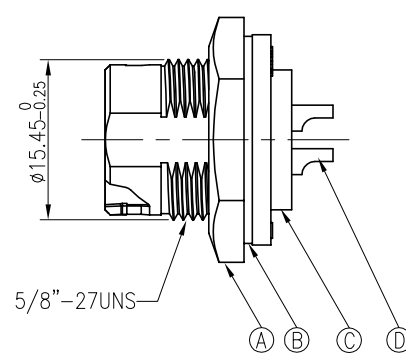
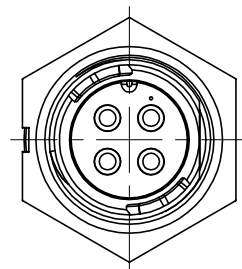
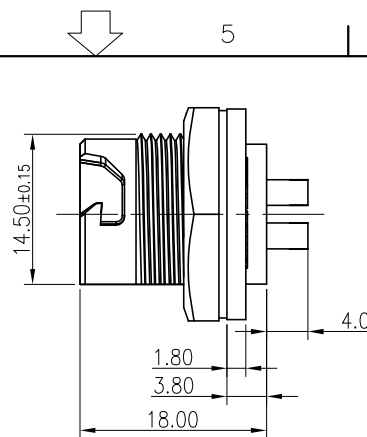


REV.	ECN NO OR DESCRIPTION	REVISED	DATE
1	PDR NO.:S131028-5A/B/6C	Lx-Wu	2014.02.07



RECOMMENDED PANEL CUT-OUT



TABLE_1

2QT3002-X05300H		5A (5PIN)
2QT3002-X04400H		10A (4PIN)
2QT3002-X03400H		10A (3PIN)
P/N:	PIN ASSIGNMENTS FRONT VIEW	CURRENT RATING

NOTES:

- ELECTRICAL CHARACTERISTICS:
 - CURRENT RATING: 5~10 AMPS.
 - CONTACT RESISTANCE: 30 mOhm Max.
 - INSULATION RESISTANCE: 100 MOhm Min at 500VDC.
 - BREAKDOWN VOLTAGE: 500 VAC PER MINUTE.
- MECHANICAL CHARACTERISTICS:
 - TIGHTENING TORQUES: 0.8~1.0Nm(7.08~8.85lbf.in.).
 - MECHANICAL CHARACTERISTICS: CONTACT ACCOMMODATION: 22~24 AWG.
- ENVIRONMENTAL:
 - OPERATING TEMPERATURE: -40°C TO +105°C.
 - SEALING REQUIREMENTS: IP67.
- LIFE TEST: 1,000 CYCLES MIN.
- FOR PANEL THICKNESS MAX OF 4.0mm
- OTHER GENERAL SPEC TO REFER "CIRCULAR SERIES GENERAL SPEC".
- FOR TECHNICAL DATA REFER TO YOUR LOCAL SINGATRON ELECTRONICS SALES OFFICE.
- ALL DIMENSIONS ARE NOMINAL FOR REFERENCE ONLY UNLESS OTHERWISE STATED.
- TO CONFORM TO SINGATRON HAZARDOUS SUBSTANCE FREE SPEC.
- GREEN PRODUCT IDENTIFICATION LABEL ON PACKAGING **[G.P. PASS]**.

E	LIQUID GLUE	1	N/A	BLACK
D	MALE PIN	*	COPPER ALLOY	1u" GOLD PLATING OVER NICKEL PLATING
C	BODY	1	PA66	GRAY(PANTONG 427C)
B	GASKET	1	EPDM	BLACK
A	NUT	1	THERMOPLASTIC	GRAY(PANTONG 427C)
NO	DESCRIPTION	QTY	MATERIAL	PLATING & COLOR
UNLESS OTHERWISE SPECIFIED TOLERANCES		Singatron Electronic(China) Co., Ltd. 		
DECIMALS:		TITLE		
X	:±0.5	QUICK SERIES STANDARD SIZE (SOLDER TYPE)		
X.X	:±0.3	MALE CONN. MALE PIN		
X.XX	:±0.2	DWN	Lx-Wu	PART NO.2QT3002-X0XX00H
		CHKD	SCALE 2:1	UNIT: mm
		APVD	SIZE: A3	SHEET: 1 OF 1
		REV:1		
CUSTOMER COPY				