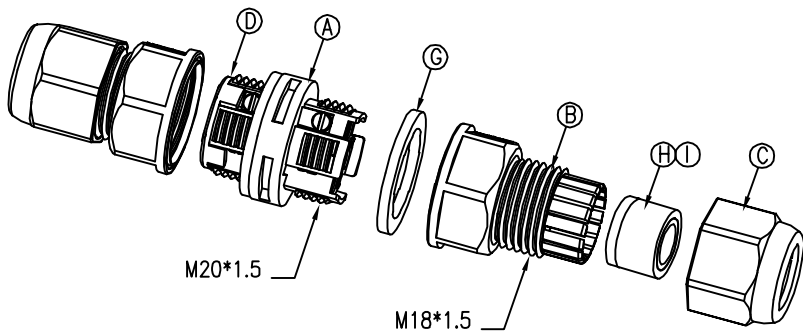
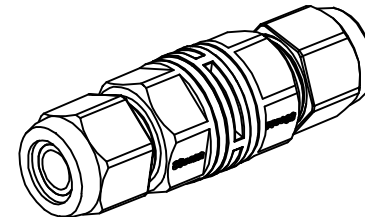
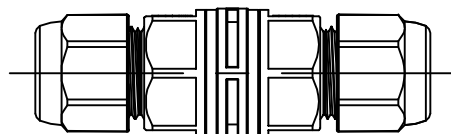
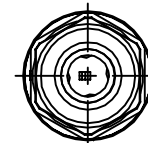
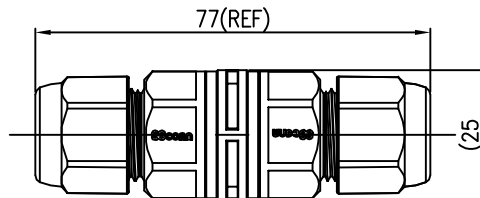
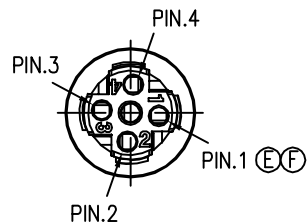


| REV. | ECN NO OR DESCRIPTION | REVISED | DATE       |
|------|-----------------------|---------|------------|
| A    | PDR NO.:T170728-3A    | JF      | 2018.04.09 |
| B    | ECN NO.:A180702-R     | Jun     | 2018.07.05 |



| I  | SEAL B      | 2   | SILICONE 50° | RED             |
|----|-------------|-----|--------------|-----------------|
| H  | SEAL A      | 2   | SILICONE 50° | RED             |
| G  | GASKET      | 2   | SILICONE 70° | RED             |
| F  | SCREW       | 8   | STEEL        | NICKEL PLATING  |
| E  | SCREW PIN   | 4   | BRASS        | NICKEL PLATING  |
| D  | COVER       | 1   | NYLON        | BLACK           |
| C  | SEALING NUT | 2   | NYLON        | BLACK           |
| B  | CLAMP RING  | 2   | NYLON        | BLACK           |
| A  | BODY        | 1   | NYLON        | BLACK           |
| NO | DESCRIPTION | QTY | MATERIAL     | PLATING & COLOR |

NOTES:

- WATERPROOF RATE: IP67  
IP67: IMMERSED IN 1M WATER FOR 30 MINUTES
- ELECTRICAL CHARACTERISTICS  
TEMPERATURE RANGE: -40°C TO +105°C  
CURRENT RATING: 15A  
VOLTAGE RATING: 300V AC
- CABLE RANGE:  $\phi 6.0\text{mm} \sim \phi 9.0\text{mm}$
- TO CONFORM TO SINGATRON HAZARDOUS SUBSTANCE FREE SPEC.
- GREEN PRODUCT IDENTIFICATION LABEL ON PACKAGING:

|                                       |           |  |                  |                                 |
|---------------------------------------|-----------|--|------------------|---------------------------------|
| UNLESS OTHERWISE SPECIFIED TOLERANCES |           | Singatron Enterprise Co., Ltd.<br>信音企業股份有限公司 |                  |                                 |
| DECIMALS:                             | ANGLES:   | TITLE  | CABLE JOINT 4PIN |                                 |
| X : ±0.5                              | X : ±2°   | DWN  | Jun              | <b>PART NO. 2CJ3001-W04300H</b> |
| X.X : ±0.3                            | X.X : ±1° | CHKD   | JF               | SCALE 1:1 UNIT: mm              |
| X.XX : ±0.2                           |           | APVD   | Steve            | SIZE: A3 SHEET: 1 OF 1 REV: B   |
| <b>CUSTOMER COPY</b>                  |           |  |                  |                                 |