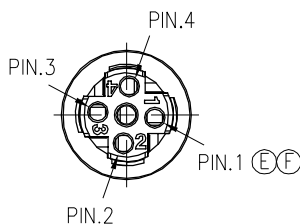
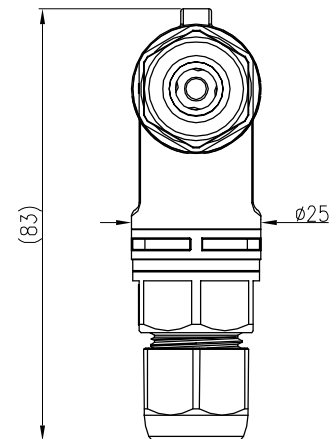
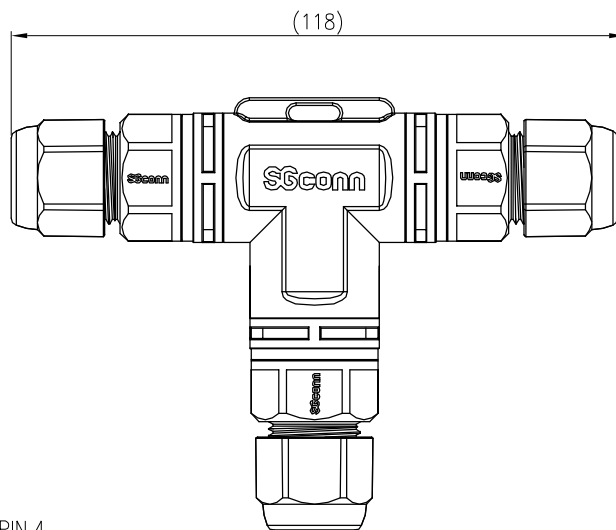
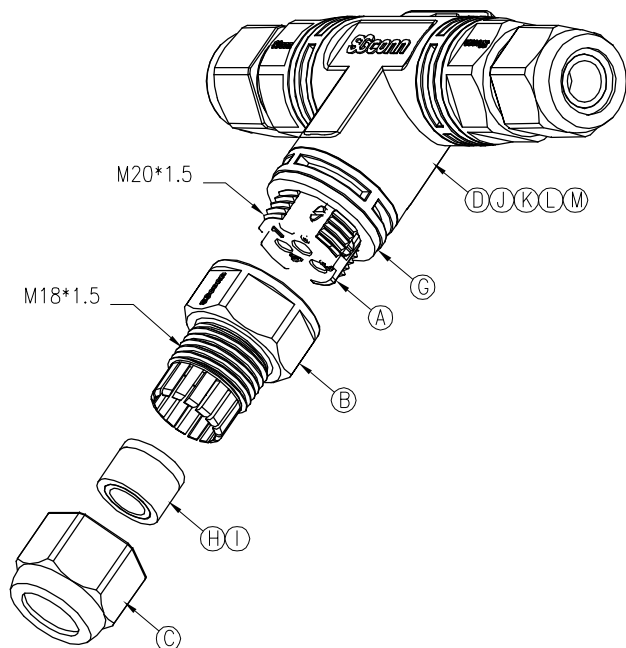


REV.	ECN NO OR DESCRIPTION	REVISED	DATE
A	PDR NO.:T170728-4A	JF	2020.01.14



NOTES:

- WATERPROOF RATE: IP67
IP67: IMMERSED IN 1M WATER FOR 30 MINUTES
- ELECTRICAL CHARACTERISTICS
TEMPERATURE RANGE: -40°C TO +105°C
CURRENT RATING: 15A
VOLTAGE RATING: 300V AC
- CABLE RANGE:
- TO CONFORM TO SINGATRON HAZARDOUS SUBSTANCE FREE SPEC.
- GREEN PRODUCT IDENTIFICATION LABEL ON PACKAGING: **Q.P. PASS**

NO	DESCRIPTION	QTY	MATERIAL	PLATING & COLOR
M	OVER MOLD	1	TPU	BLACK
L	INNER MOLD	1	PP	NATURAL
K	WIRE	8	UL3135 18AWG	YELLOW/GREEN
J	SOLDER PIN	4	BRASS	NICKEL PLATING
I	SEAL B	3	SILICONE 50°	RED
H	SEAL A	3	SILICONE 50°	RED
G	GASKET	3	SILICONE 70°	RED
F	SCREW	12	STEEL	NICKEL PLATING
E	TERMINAL	12	BRASS	NICKEL PLATING
D	COVER MOLD	3	NYLON	BLACK
C	SEALING NUT	3	NYLON	BLACK
B	CLAMP RING	3	NYLON	BLACK
A	BODY	3	NYLON	BLACK

UNLESS OTHERWISE SPECIFIED TOLERANCES

Singatron Enterprise Co., Ltd.
信音企業股份有限公司

DECIMALS:	ANGLES:	TITLE	CABLE JOINT T-TYPE 4PIN		
X :±0.5	X :±2°	DWN	JF	PART NO.2CJ3002-W04300H	
X.X :±0.3	X.X :±1°	CHKD	Cerry	SCALE 1:1	UNIT: mm
X.XX :±0.2		APVD	William	SIZE: A3	SHEET:1 OF 1
					REV: A

CUSTOMER COPY