

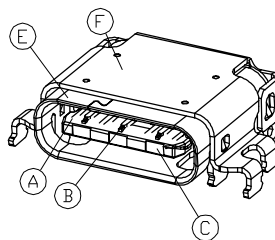
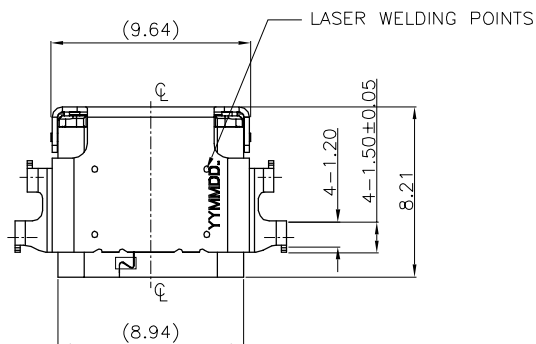


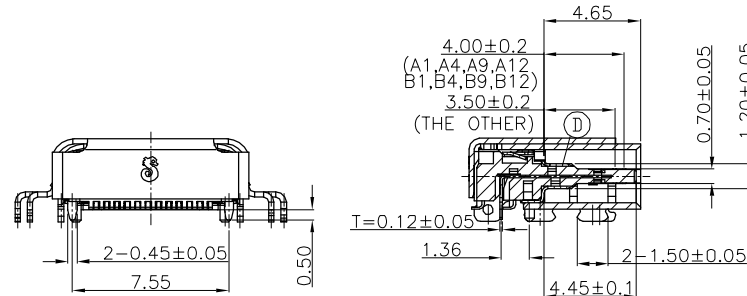
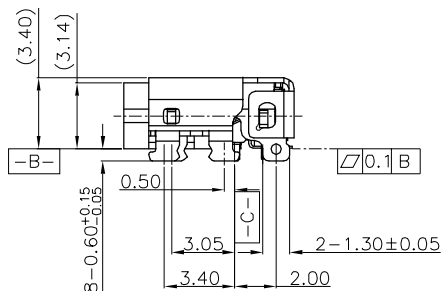
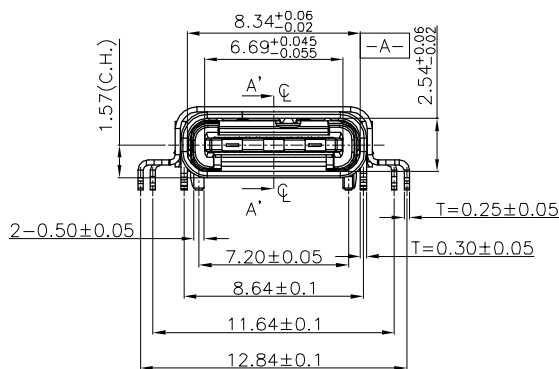
REV.	ECN NO OR DESCRIPTION	REVISED	DATE
A	PDR NO.:T161026-3A	Edi.Zhou	2018.03.09

SPECIFICATIONS:

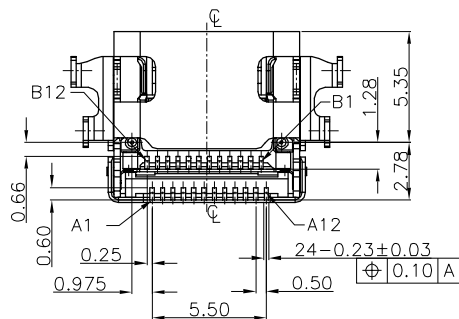
- ELECTRICAL CHARACTERISTICS:
 - LLCR:
 - VBUS & GND PINS&OTHER PINS: 40mΩ MAX
 - AFTER ENVIRONMENT TEST: 50mΩ MAX.
 - CURRENT RATING: 3.0 A Max.
 - VOLTAGE RATING: 5.0 V.
 - INSULATION RESISTANCE: 100MΩ MIN.
 - ENVIRONMENTAL PERFORMANCE:
 - OPERATING TEMPERATURE: -55°C~+85°C.
- MECHANICAL CHARACTERISTICS:
 - MATING FORCE : 0.5~2.0 Kgf.
 - UNMATING FORCE : 0.8~2.0 Kgf.(1~1000CYCLES),0.6~2.0 Kgf.(AFTER 1000 YCLES)
- LIFE TEST: 10000 CYCLES MIN.
- TO CONFORM TO SINGATRON HAZARDOUS SUBSTANCE FREE SPEC.
- HALOGEN FREE PRODUCT IDENTIFICATION MARK ON JACK: 
- HALOGEN FREE PRODUCT IDENTIFICATION LABEL ON PACKAGING: 
- FOR REFLOW SOLDERING LEAD-FREE PROCESS.




3D VIEW



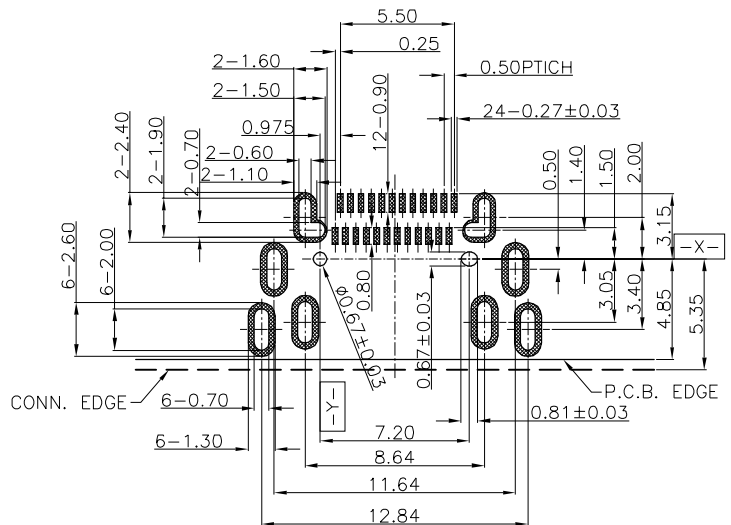
SECTION A'-A'



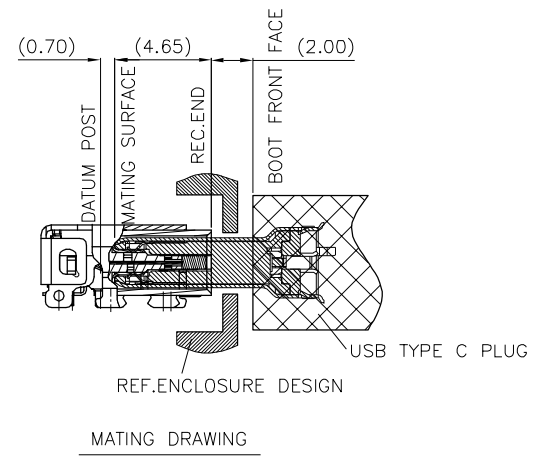
F	TOP SHELL	1	SUS304-1/2H,T=0.25	NICKEL 50u"MIN
E	SHELL	1	SUS304-1/2H,T=0.30	NICKEL 50u"MIN
D	MATE GROUND	1	SUS304-1/2H,T=0.12	N/A
C	MID GROUND	1	SUS301-EH	NICKEL 50u"MIN
B	CONTACT	24	C7035,T=0.12	Au 50in ±30in Pd/Ni PLATED ON CONTACT AREA; Molt. Sn 100in Min.PLATED ON SOLDERING 50in NICKEL UNDER PLATING OVERALL
A	BODY	1	LCP 6808U UL94-V0	BLACK

NO	DESCRIPTION	QTY	MATERIAL	PLATING & COLOR
UNLESS OTHERWISE SPECIFIED TOLERANCES			 Singatron Enterprise Co., Ltd. 信音企業股份有限公司	
DECIMALS:		ANGLES:	TITLE	
X	:±0.5	X	:±2°	DWN
X.X	:±0.3	X.X	:±1°	Edi.Zhou
X.XX	:±0.2			Boye
			SCALE:4:1	UNIT: mm
			SIZE: A3	SHEET:1 OF 2
			REV:A	
CUSTOMER COPY				

REV.	ECN NO OR DESCRIPTION	REVISED	DATE
A	PDR NO.:T161026-3A	Edi.Zhou	2018.03.09



RECOMMENDED P.C.B LAYOUT(TOP VIEW)
TOLERANCE = ±0.05 (THK: 0.8mm)



NO.	PIN NUMBER	SIGNAL NAME	NO.	PIN NUMBER	SIGNAL NAME
1	A1	GND	13	B12	GND
2	A2	SSTXp1	14	B11	SSRXp1
3	A3	SSTXn1	15	B10	SSRXn1
4	A4	VBUS	16	B9	VBUS
5	A5	CC1	17	B8	RFU2
6	A6	Dp1	18	B7	Dn2
7	A7	Dn1	19	B6	Dp2
8	A8	RFU1	20	B5	CC2
9	A9	VBUS	21	B4	VBUS
10	A10	SSRXn2	22	B3	SSTXn2
11	A11	SSRXp2	23	B2	SSTXp2
12	A12	GND	24	B1	GND

NO	DESCRIPTION	QTY	MATERIAL	PLATING & COLOR
UNLESS OTHERWISE SPECIFIED TOLERANCES		Singatron Enterprise Co., Ltd. 信音企業股份有限公司		
DECIMALS:	ANGLES:	TITLE	USB TYPE -C ON BOARD SMT REC(C.H.=1.57)	
X :±0.5	X :±2°	DWN	Edi.Zhou	PART NO: 2UB3C08-000111F
X.X :±0.3	X.X :±1°	CHKD	Boye	SCALE:4:1 UNIT: mm
X.XX :±0.2		APVD	Boye	SIZE: A3 SHEET:2 OF 2 REV:A
CUSTOMER COPY				