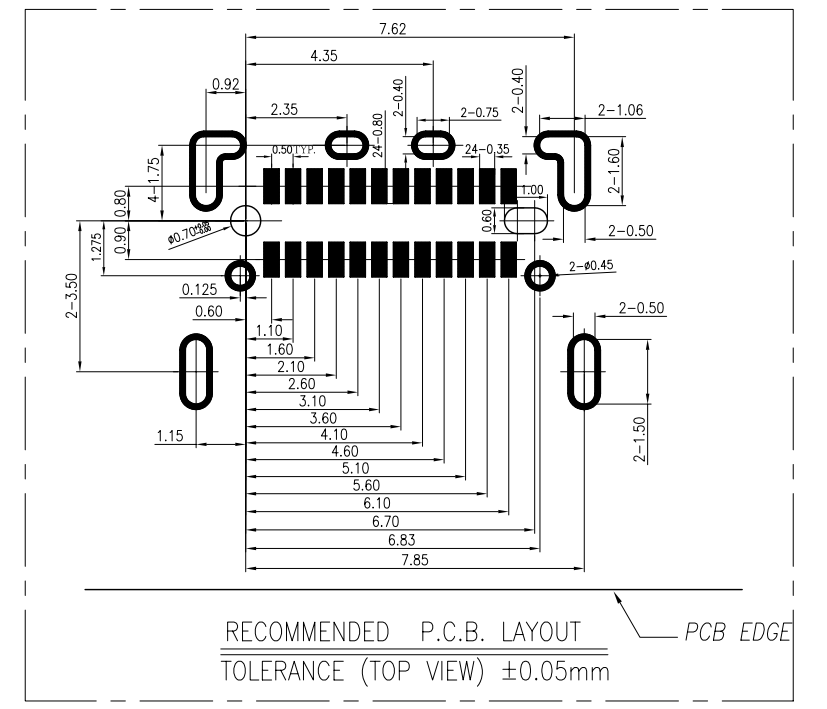
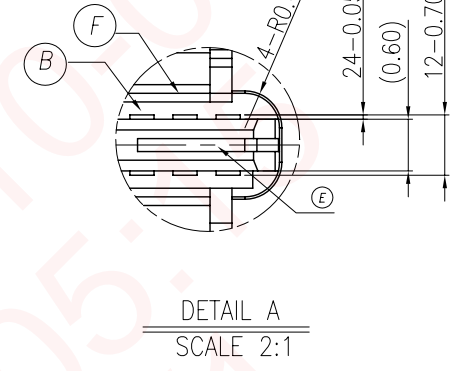
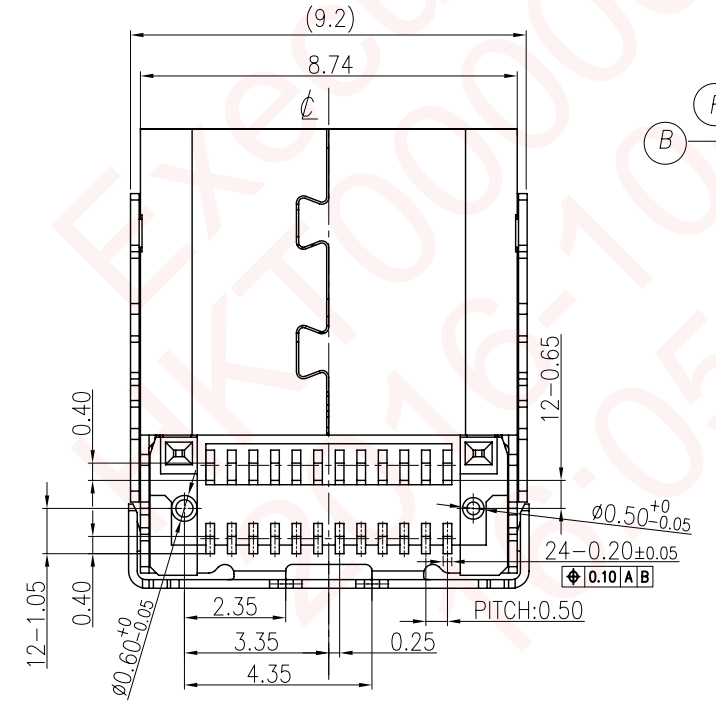
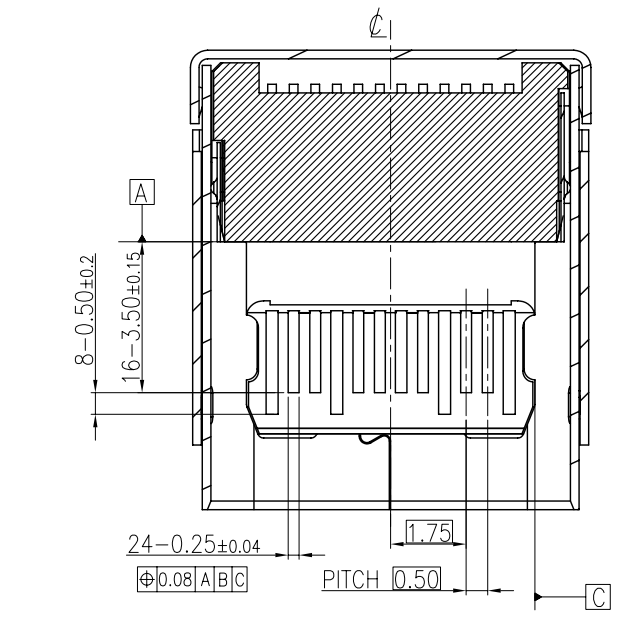
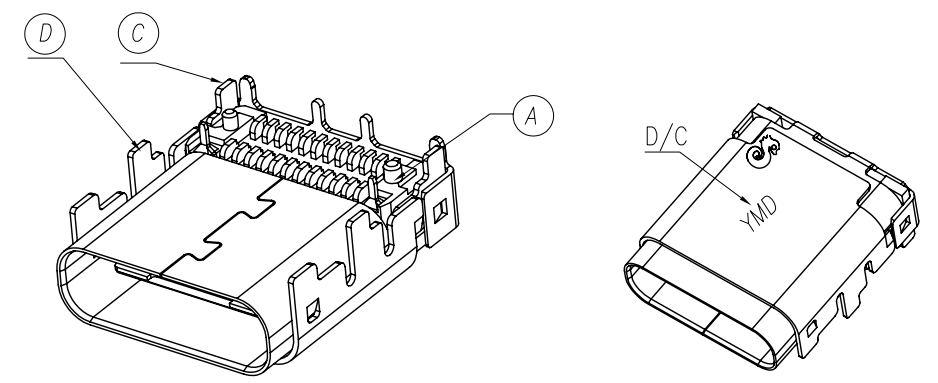
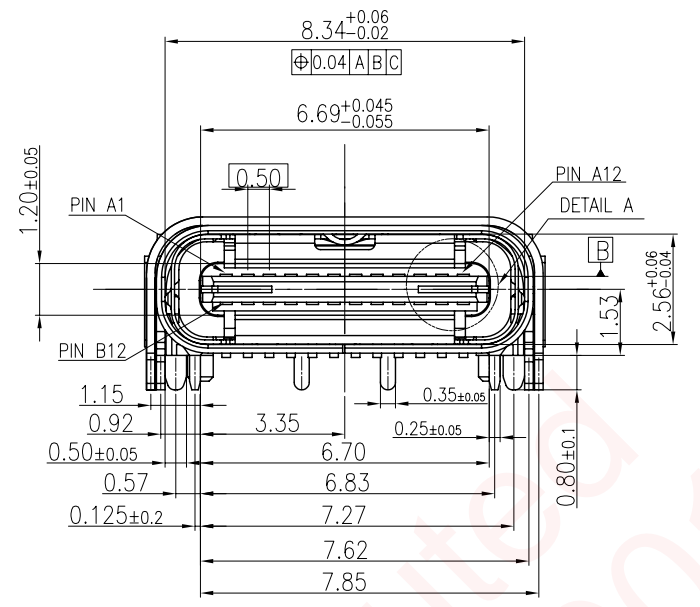
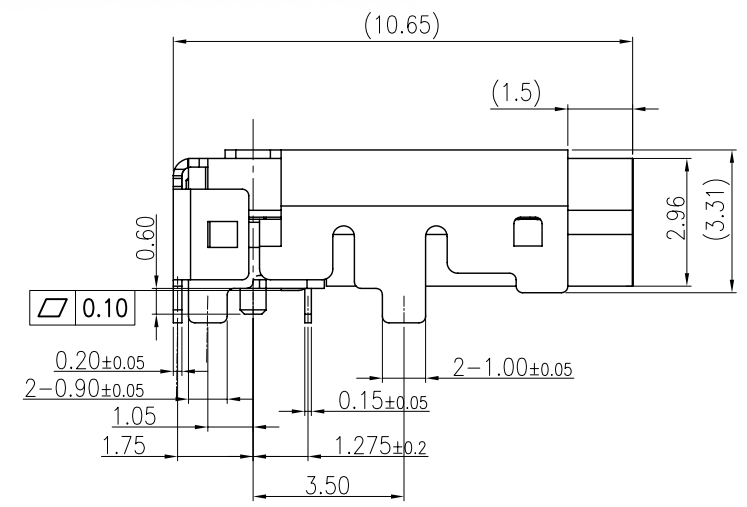


REV.	ECN NO OR DESCRIPTION	REVISED	DATE
A	PDR:T141103-11A	Stone	2016.08.24



USB TYPE C PIN ASSIGNMENTS:

PIN No.	SIGNAL NAME	PIN NUMBER
A1	GND	B12
A2	SSTXp1	B11
A3	SSTXn1	B10
A4	Vbus	B9
A5	CC1/CC2	B8
A6	Dp1/Dp2	B7
A7	Dn1/Dn2	B6
A8	SBU1/SBU2	B5
A9	Vbus	B4
A10	SSRXn2	B3
A11	SSRXp2	B2
A12	GND	B1

SPECIFICATIONS:

- ELECTRICAL CHARACTERISTICS:
  - CONTACT RESISTANCE: 30mΩ MAX.
  - DIELECTRIC WITHSTANDING VOLTAGE: 100V AC FOR ONE MINUTE.
  - INSULATION RESISTANCE: 100MΩ MIN. MEASURED BY 500 VDC
- MECHANICAL CHARACTERISTICS:
  - INSERTION FORCE :0.5~2.0Kgf(REF.)
  - WITHDRAWAL FORCE :0.8~2.0Kgf(REF.)
- LIFE TEST: 5,000 CYCLES.
- TO CONFORM TO THE SINGATRON HAZARDOUS SUBSTANCE FREE SPEC.
- HALOGEN FREE PRODUCT IDENTIFICATION MARK ON JACK: ☉
- HALOGEN FREE PRODUCT IDENTIFICATION LABEL ON PACKAGING:
- FOR REFLOW SOLDERING LEAD-FREE PROCESS.
- PACKAGING: TAPE & REEL



NO	DESCRIPTION	QTY	MATERIAL	PLATING & COLOR
F	GND RING	1	STAINLESS STEEL	
E	PLATE	1	STAINLESS STEEL	NICKEL PLATED
D	COVER	1	STAINLESS STEEL	NICKEL PLATED
C	SHELL	1	STAINLESS STEEL	NICKEL PLATED
B	CONTACT	24	COPPER ALLOY	AU 2u"+Pd-Ni 30u" ON CONTACT AREA AND GOLD FLASH ON SOLDER AREA ALL OVER NI PLATING
A	HOUSING	1	HIGH TEMP. THERMOPLASTIC UL 94V-0	BLACK (CS)

UNLESS OTHERWISE SPECIFIED TOLERANCES

Singatron Enterprise Co., Ltd.  
信音企業股份有限公司

TITLE: USB Type-C Connector

DECIMALS: ANGLES:  
X :±0.5 X :±2°  
X.X :±0.3 X.X :±1°  
X.XX :±0.2

DWN	Stone-Zhu 16/09/23	PART NO.	2UB2500-000111F
CHKD	Zjz-Zhou 16/09/23	SCALE	:1 UNIT: mm
APVD	Max-Mai 16/09/23	SIZE: A3	SHEET:1 OF 1 REV: A

CUSTOMER COPY

2016/09/23  
10:25:37  
RD-06-043-A