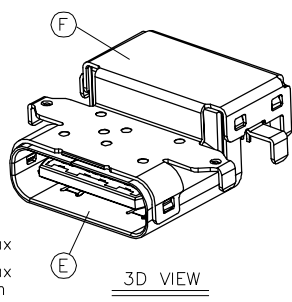
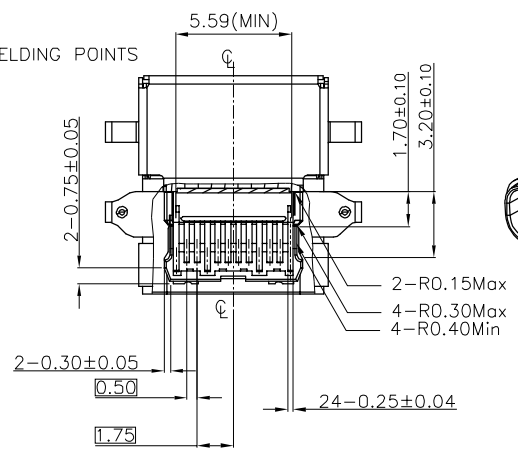
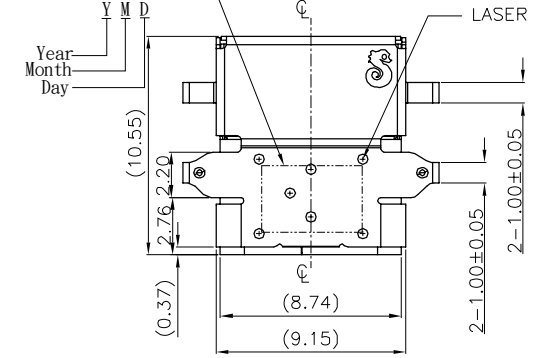


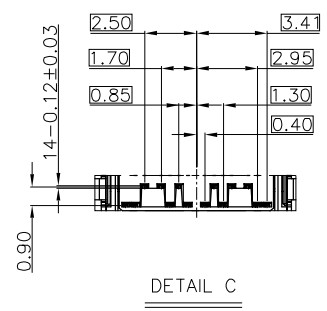
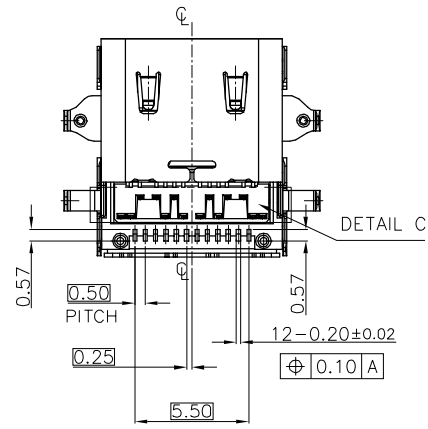
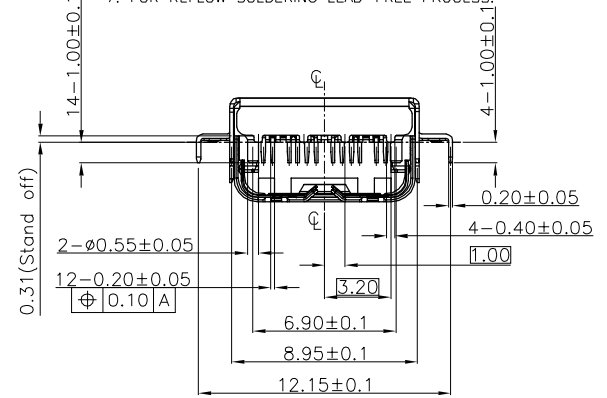
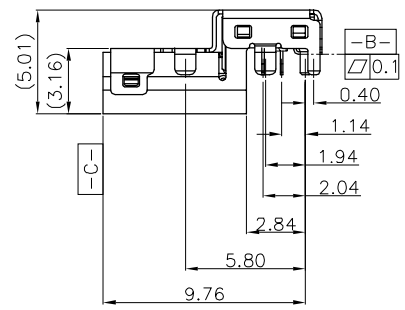
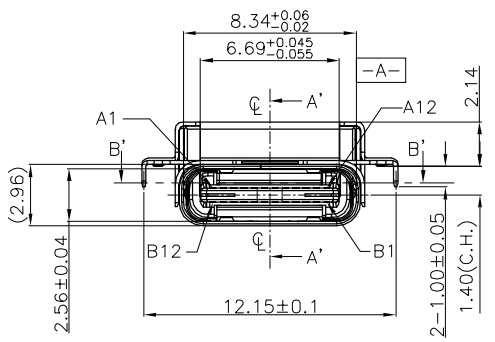
DATE CODE MARK ZONE  
Y M D  
Year  
Month  
Day



SECTION B'-B'

SPECIFICATIONS:

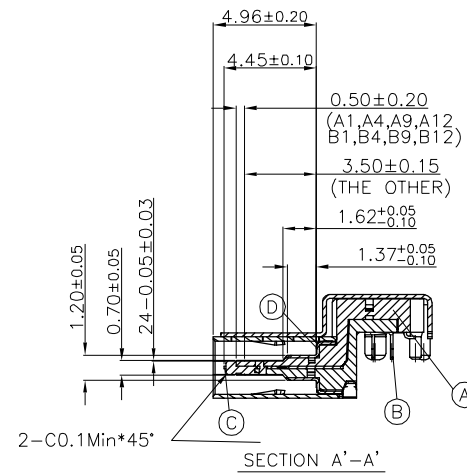
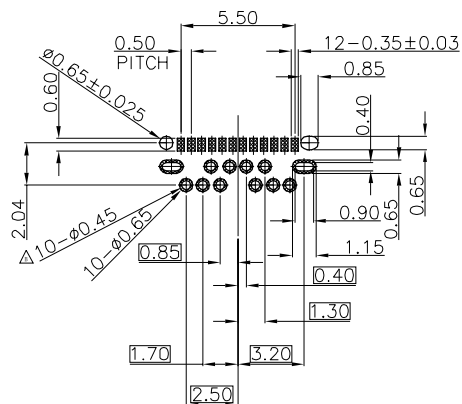
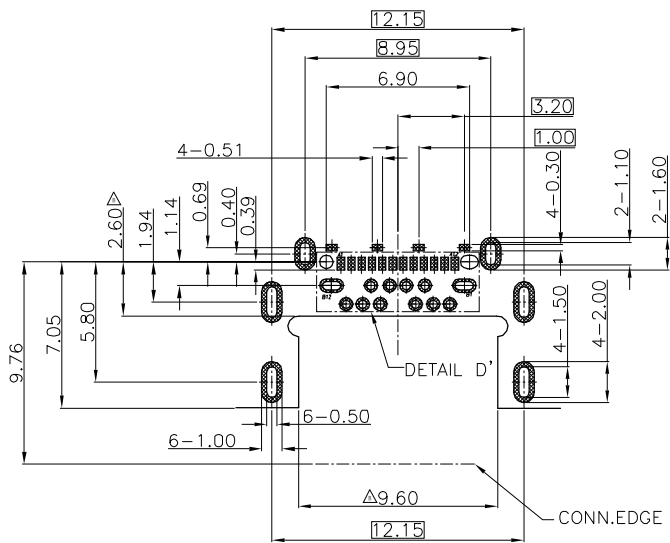
- ELECTRICAL CHARACTERISTICS:
  - LLCR:
    - VBUS & GND PINS&OTHER PINS: 40mΩ MAX
    - AFTER ENVIRONMENT TEST: 50mΩ MAX.
  - CURRENT RATING: 5.0 A Max.
  - VOLTAGE RATING: 20 V.
  - INSULATION RESISTANCE: 100MΩ MIN.
  - WITHSTANDING VOLTAGE:100 V AC
  - ENVIRONMENTAL PERFORMANCE:
    - OPERATING TEMPERATURE: -55°C~+85°C.
- MECHANICAL CHARACTERISTICS:
  - MATING FORCE : 0.5-2.0 Kgf.
  - UNMATING FORCE : 0.8-2.0 Kgf.(0~1000CYCLE),0.6-2.0Kgf(After that)
- LIFE TEST: 10000 CYCLES MIN.
- TO CONFORM TO SINGATRON HAZARDOUS SUBSTANCE FREE SPEC.
- HALOGEN FREE PRODUCT IDENTIFICATION MARK ON JACK:
- HALOGEN FREE PRODUCT IDENTIFICATION LABEL ON PACKAGING:
- FOR REFLOW SOLDERING LEAD-FREE PROCESS.



DETAIL C

F	TOP SHELL	1	SUS304-1/2H,T=0.20	NICKEL 60u"MIN
E	SHELL	1	SUS304-1/2H,T=0.20	NICKEL 60u"MIN
D	MATE GROUND	1	SUS304-1/2H,T=0.10	N/A
C	MID GROUND	1	SUS301-EH,T=0.12	NICKEL 60u"MIN
B	CONTACT	24	C7035,T=0.12	Au 30um PLATED ON CONTACT AREA, Matl. Sn 100um Min,PLATED ON SOLDERING 80um NICKEL UNDER PLATING OVERALL
A	BODY	1	LCP 6808U UL94-V0	BLACK
NO	DESCRIPTION	QTY	MATERIAL	PLATING & COLOR
UNLESS OTHERWISE SPECIFIED TOLERANCES			Singatron Enterprise Co., Ltd. 信音企業股份有限公司	
DECIMALS:		TITLE		
X :±0.5		USB TYPE -C MID-MOUNT(C.H.--1.40)		
X.X :±0.3		DWN KIWIMAN PART NO: 2UB3C02-002111F		
X.XX :±0.2		CHKD SCALE:4:1 UNIT: mm		
APVD			SIZE: A3	SHEET:1 OF 2 REV:C
CUSTOMER COPY				

REV.	ECN NO OR DESCRIPTION	REVISED	DATE
A	PDR NO:T151209-12A	Edi.Zhou	2018.03.08
B	ECN NO:S180909-C	WENRONG	2018.09.05
C	ECN NO:S190542-E	KIWIMAN	2019.07.11



NO.	PIN NUMBER	SIGNAL NAME	NO.	PIN NUMBER	SIGNAL NAME
1	A1	GND	13	B12	GND
2	A2	SSTXp1	14	B11	SSRXp1
3	A3	SSTXn1	15	B10	SSRXn1
4	A4	VBUS	16	B9	VBUS
5	A5	CC1	17	B8	RFU2
6	A6	Dp1	18	B7	Dn2
7	A7	Dn1	19	B6	Dp2
8	A8	RFU1	20	B5	CC2
9	A9	VBUS	21	B4	VBUS
10	A10	SSRXn2	22	B3	SSTXn2
11	A11	SSRXp2	23	B2	SSTXp2
12	A12	GND	24	B1	GND

NO.	DESCRIPTION	QTY.	MATERIAL	PLATING & COLOR
UNLESS OTHERWISE SPECIFIED TOLERANCES		Singatron Enterprise Co., Ltd. 信音企業股份有限公司		
DECIMALS:	ANGLES:	TITLE	USB TYPE -C MID-MOUNT(C.H.=1.40)	
X :±0.5	X :±2°	DWN	KIWIMAN	PART NO: 2UB3C02-002111F
X.X :±0.3	X.X :±1°	CHKD	SCALE:4:1	UNIT: mm
X.XX :±0.2		APVD	SIZE: A3	SHEET:2 OF 2
CUSTOMER COPY				
REV:C				