

REV.	ECN NO OR DESCRIPTION	REVISED	DATE
A	PDR RELEASE	IVY-C	2011.12.15
B	ECN NO:L120066	IVY-C	2012.06.05
C	ECN NO:L150062	IVY-C	2015.06.01

Specifications:

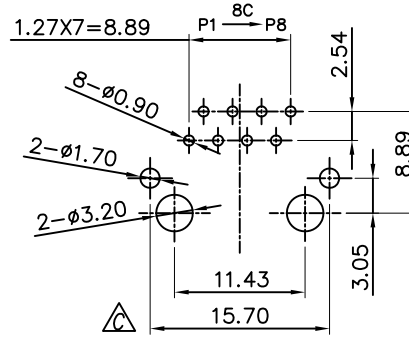
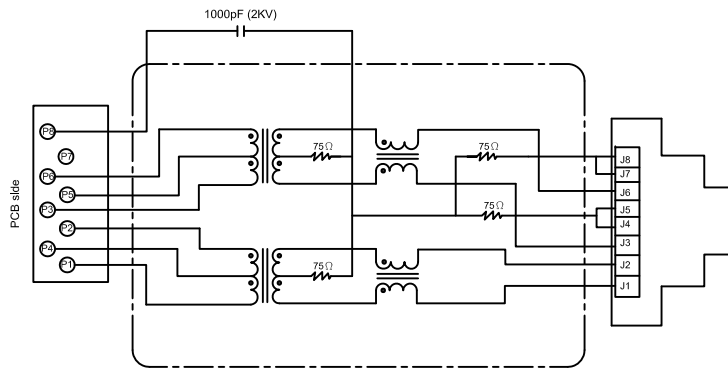
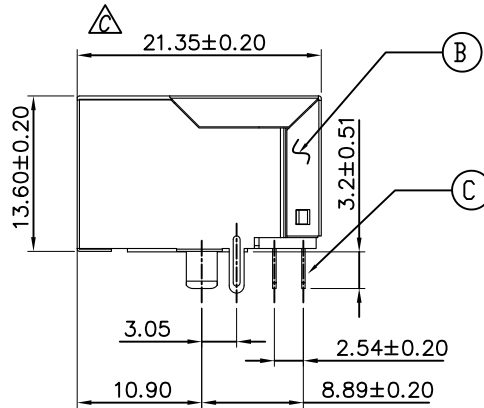
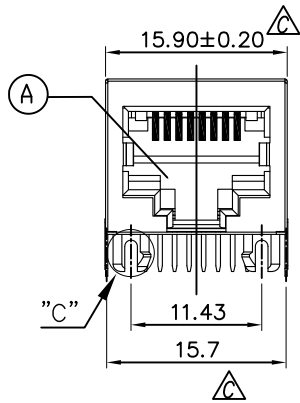
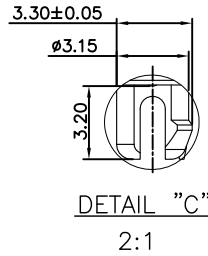
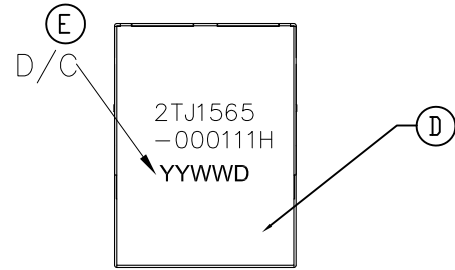
- Isolation Voltage:1500Vrms(Input To Output)
- Rise Time(10-90%):2.5ns Typical
- CL:350uH Minimum@100KHz 8mADC
- Insertion Loss:1.0 dB Max. @ 100KHz-100 MHz
- Return Loss:18dB Min. @ 1-30MHz
-15dB Min. @ 40-50MHz
-10dB Min. @ 60-80MHz
- Cross Talk:-38dB Typ. @ 100KHz-100MHz
- Operation Temperature : 0°C To +70°C
- Turn Ratio:RX=1CT:1CT(±3%) TX=1CT:1CT(±3%)
C W/W 20pF Typ @1MHz 100mV
- Leakage Inductance(TX&RX):0.4 uH Max.
- CMMR:-40dB Typ. @100KHz-100MHz
- Operating Life:750 Cycles Min.
- Other general spec. TO refer "2TJ1565 series spec".
- To conform to SINGATRON hazardous substance free spec.
- Green product identification label on packing: **G.P. PASS**
- Packing: see "2TJ1565 series" packing.
- Wave Soldering Temperature:230~250°C (3~5 Seconds)
- Mates With Modular Plug Conforming To FCC Part 68, Subpart F.

PART NO.
2TJ1565-000111H

- SUFFIX: HALOGEN
- PACKAGE
- 1: TRAY
- HOUSING COLOR
- 1: BLACK
- CONTACT PLATING
- 1: GOLD FLASH ON CONTACT AREA;
TIN PLATED ON SOLDER AREA

E	INK		BLACK COLOR	
D	SHELL	1 C2680	NICKEL PLATING	
C	CONTACT	8 C5210	SEE PART NO.	
B	INSERT	1 THERMOPLASTIC, UL 94V-0	BLACK COLOR	
A	HOUSING	1 THERMOPLASTIC, UL 94V-0	BLACK COLOR	
NO	DESCRIPTION	QTY	MATERIAL	PLATING & COLOR
UNLESS OTHERWISE SPECIFIED TOLERANCES		 Singatron Enterprise Co., Ltd. 信音企業股份有限公司		
DECIMALS: ANGLES:		TITLE: RJ45 1*1 w/ Transformer, w/o LED		
X	:±0.5	X	:±2°	DWN NY-C 2015.06.01 PART NO. 2TJ1565-000111H
X.X	:±0.3	X.X	:±1°	CHKD ANGELA 2015.06.01 SCALE:N/A UNIT: mm
X.XX	:±0.2	APVD	ANGELA 2015.06.01	SIZE: A3 SHEET: 1 OF 1 REV: C

CUSTOMER COPY



PCB Layout T=1.60mm
Component Side Shown
Tolerance: ±0.10mm