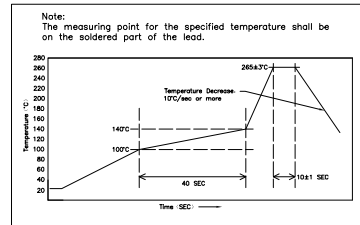


REV.	ECN NO OR DESCRIPTION	REVISED	DATE
A	PDR RELEASE	IVY-C	2016.08.22
B	ECN NO: L170017	IVY-C	2017.02.17
C	ECN NO: L190012	EVEN	2019.03.15

SPECIFICATION:

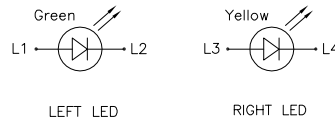
- TO CONFORM TO SINGATRON HAZARDOUS SUBSTANCE FREE SPEC.
- GREEN PRODUCT IDENTIFICATION LABEL ON PACKAGING: **G.P. PASS**
- PACKAGE: SEE "2TJ1628 SERIES" PACKAGE.
- FOR WAVE SOLDERING LEAD-FREE PROCESS.
- MATES WITH MODULAR PLUG CONFORMING TO FCC PART 68, SUBPART F.
- ELECTRICAL
 - INSULATION RESISTANCE : 500 MOHMS MIN
 - DIELECTRIC WITHSTANDING VOLTAGE : 1500 VAC FOR 1 MINUTE
- DURABILITY TEST RATING
 - INSERTION FORCE WITH THE LATCH DEPRESSED :22N MAX
 - REMOVAL FORCE WITH THE LATCH DEPRESSED :44N MAX
 - DURABILITY :750 CYCLES
- OPERATING AND STORAGE TEMPERATURE
 - OPERATING TEMPERATURE : -40°C TO +85°C
 - STORAGE TEMPERATURE : -40°C TO +85°C
- TEMPERATURE CONDITION OF WAVE SOLDERING:



ELECTRICAL CHARACTERISTICS :

- INSERTION LOSS :
 - 1~100 MHz -1.0dB MAX.
- RETURN LOSS(LOAD 100Ω) :
 - 1~30 MHz -21dB MIN
 - 30~60 MHz -19dB MIN
 - 60~80 MHz -15dB MIN
 - 80~100 MHz -13dB MIN
- COMMON MODE REJECTION
 - 1~100 MHz -30dB MIN
- CROSS TALK
 - 1~100 MHz -30dB MIN
- OCL @ 100kHz, 0.1V, 8mA DC BIAS (0°C~70°C): 350 uH MIN
- DCR
- HI-POT TEST
 - (J1~J2),(J3~J6),(J4~J5),(J7~J8) : 1.20 MAX
- (P1~P10) TO (J1~J8) : 1500VAC 60S OR 2250VDC 60S
- URNS RATION 100kHz
 - (P2~P1) : (J1~J2) = 1:1 ±%5
 - (P4~P3) : (J3~J6) = 1:1 ±%5
 - (P6~P5) : (J4~J5) = 1:1 ±%5
 - (P8~P7) : (J7~J8) = 1:1 ±%5
- BALANCED DC LINE CURRENT:
 - 720mA MAX @57VDC CONTINUOUS
- OTHER GENERAL SPEC. TO REFER "2TJ1628-000111H SPEC"

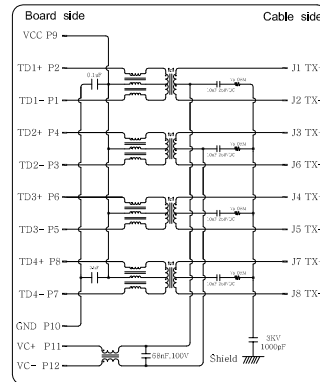
PART NO.
2TJ1628-000111H



Emitting Color	λp (nm)	Vf @If=20mA	Ir @Vr=5V
Green	565	1.7V~2.6V	10μA max.
Yellow	585	1.7V~2.6V	10μA max.

SCHEMATIC FOR RJ45:

-10/100/1000BASE-T
-WITH LED



- SUFFIX: HALOGEN
- PACKAGE 1: TRAY
- HOUSING COLOR 1: BLACK
- CONTACT PLATING 1: Au 30u" ON CONTACT AREA 100u" MIN TIN PLATED ON SOLDER AREA. 30u" MIN NICKEL UNDERPLATED OVERALL

J	PCB	QTY	MATERIAL	PLATING & COLOR
I	SPACER	4	PA66 UL 94V-0	BLACK
H	COVER	4	PA66 UL 94V-0	BLACK
G	INSERT	4	PA66 UL 94V-0	BLACK
F	LED	16		GREEN/YELLOW
E	CASE	1	PF2A5-151J UL 94V-0	BLACK
D	SHELL	1	C2680	
C	OUTPUT CONTACT	64	C5210	SEE PART NO.
B	INPUT CONTACT	96	C2680	TIN PLATED
A	HOUSING	1	PA66 UL 94V-0	BLACK
NO	DESCRIPTION	QTY	MATERIAL	PLATING & COLOR

UNLESS OTHERWISE SPECIFIED TOLERANCES

DECIMALS: ANGLES:
X :±0.5 X :±2"
X.X :±0.3 X.X :±1"
X.XX :±0.2

Singatron Enterprise Co., Ltd.
信音企業股份有限公司

TITLE	RJ45, 1MC, 2x4, 1GBASE-T, W/ LED,SMD		
DWN	EVEN 2019.03.15	PART NO. 2TJ1628-000111H	
CHKD		SCALE2.5:1	UNIT: mm
APVD	ANGELA 2019.03.15	SIZE: A3	SHEET:1 OF 2
REV: C			
CUSTOMER COPY			