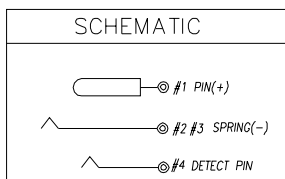


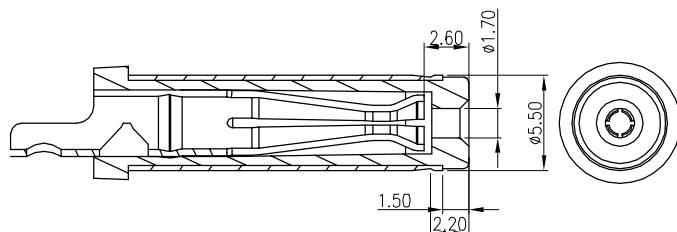
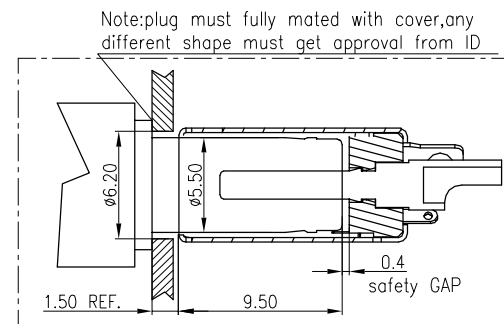
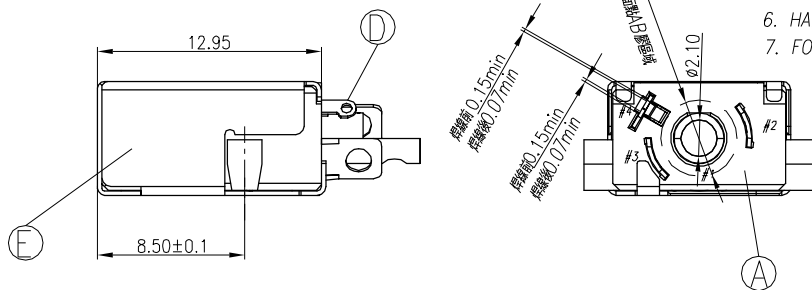
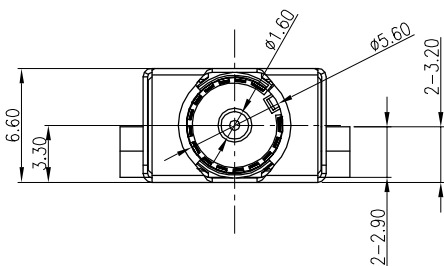
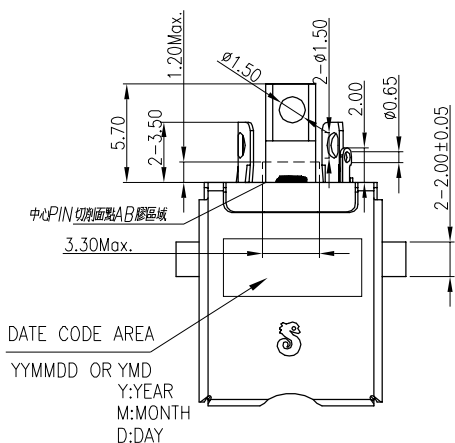
REV.	ECN NO OR DESCRIPTION	REVISED	DATE
A	PDR NO: T200817-3A	Qizhen	2021.02.25



Note: Signal pin (post) function  
 1. must reserve signal pin wire to mother board connector.  
 2. Signal pin can provide a sensing signal (ADAPTER PRESENT) to system to make sure jack/plug mating is on correct position to meet jack/plug contact resistance, temperature rise, de-bounce and signal waveform quality requirements.

SPECIFICATIONS:

- ELECTRICAL CHARACTERISTICS:
  - RATING: DC 20V 20A
  - CONTACT RESISTANCE: 10m Ω MAX.(INITIAL)(ONLY FOR PIN+&SPRING-) CONTACT RESISTANCE: 100m Ω MAX.(INITIAL)(ONLY FOR DETECT)
  - DIELECTRIC WITHSTANDING VOLTAGE: 550V AC FOR ONE MINUTE.
  - INSULATION RESISTANCE: 100M Ω MIN. MEASURED BY 500 VDC
- LIFE TEST: 5,000 CYCELS.
- OTHER GENERAL SPEC. TO REFER "2DC3196-000111F SPEC".
- TO CONFORM TO SINGATRON HAZARDOUS SUBSTANCE FREE SPEC.
- HALOGEN FREE PRODUCT IDENTIFICATION MARK ON JACK: Ⓞ
- HALOGEN FREE PRODUCT IDENTIFICATION LABEL ON PACKAGING: Ⓢ
- FOR HAND SOLDERING LEAD-FREE PROCESS.

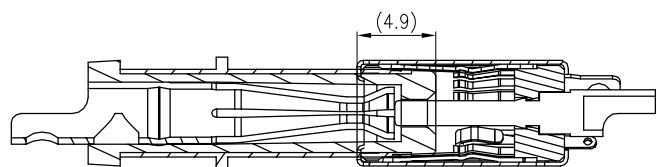


MATING PLUG: 2DP3177-000111F

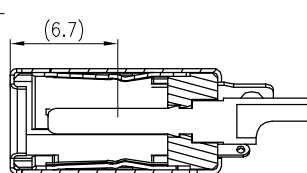
E	SHIELDING	1	STAINLESS 0.25T	Ni 60u"Min
D	DETECT PIN	1	STAINLESS 0.2T	
C	SPRING(-)	1	COPPER ALLOY 0.25T	GOLD FLASH ALL OVER Ni 60 u" Min.
B	PIN(+)	1	BRASS	
A	HOUSING	1	THERMOPLASTIC UL 94V-0	BLACK
NO	DESCRIPTION	QTY	MATERIAL	PLATING & COLOR
UNLESS OTHERWISE SPECIFIED TOLERANCES			Singatron Enterprise Co., Ltd. 信音企業股份有限公司	
DECIMALS: X ±0.5 X.X ±0.3 X.XX ±0.2		ANGLES: X ±2° X.X ±1°		TITLE: DC POWER JACK
DWN	Qizhen	PART NO. 2DC3213-000111F		
CHKD	Lussen	SCALE 4:1	UNIT: mm	Ⓞ
APVD	Liao	SIZE: A3	SHEET: 1 OF 2	REV: A
<b>CUSTOMER COPY</b>				

REV.	ECN NO OR DESCRIPTION	REVISED	DATE
A	PDR NO: T200817-3A	Qizhen	2021.02.25

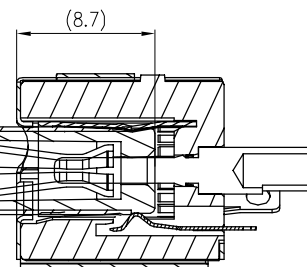
1.NEGATIVE CONTACT PLUG插入深度



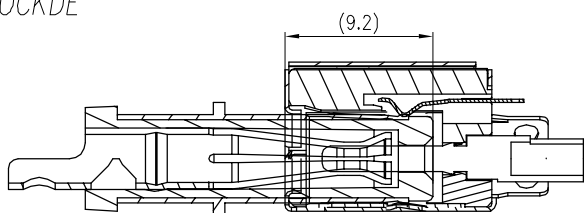
2.POWER PIN(+) CONTACT



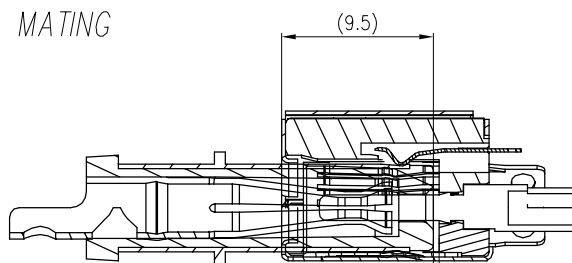
3.DETECT PIN CONTACT



4.LOCKDE

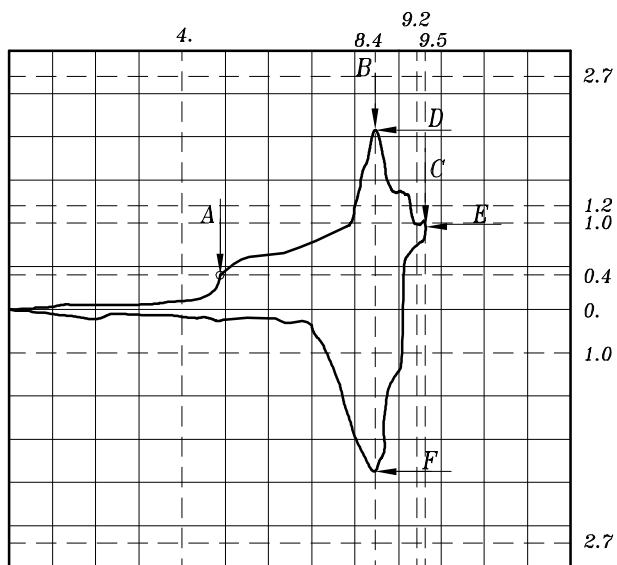


4.FULL MATING

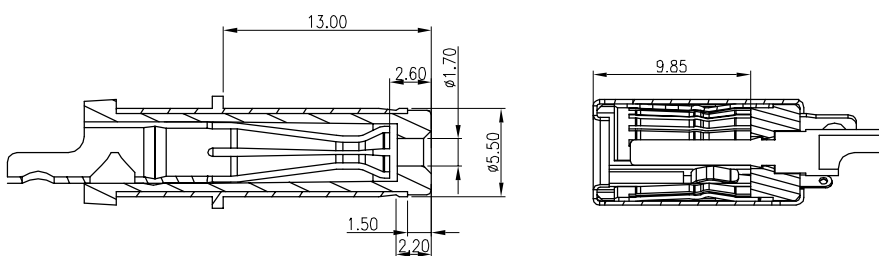


(0.4) Safety gap

APPENDED FIGURE 1.



- A:** 插入最明顯手感力量起始點位置 (mm)  
→ 力量爬升至 0.4kg 時, 位置必須在 4.0mm 之後 (Plug 插入至 4.0mm 之前力量不可超過 0.4kg)
- B:** 插入力最大波峰值位置 (mm)  
→ 8.4mm
- C:** 插入 LOCK 力量下降波谷位置 (mm)  
→ 9.2mm
- D:** 插入力最大波峰值 (kg)  
→ Initial 1.0~2.7kg, after life test 1.0~2.7kg
- E:** 插入 LOCK 力量下降波谷值 (kg)  
→ (D 值 - E 值) > 0.5kg
- F:** 拔出力範圍 (kg)  
→ (Initial/after life test) 0.8 Min.



MATING PLUG: 2DP3177-000111F

NO	DESCRIPTION	QTY	MATERIAL	PLATING & COLOR
UNLESS OTHERWISE SPECIFIED TOLERANCES			Singatron Enterprise Co., Ltd. 信音企業股份有限公司	
DECIMALS:	ANGLES:	TITLE	MATING DRAWING	
X : ±0.5	X : ±2°	DWN	Qizhen	PART NO. 2DC3213-000111F
X.X : ±0.3	X.X : ±1°	CHKD	Lussen	SCALE 4:1 UNIT: mm
X.XX : ±0.2		APVD	Liao	SIZE: A3 SHEET: 2 OF 2 REV: A
CUSTOMER COPY				