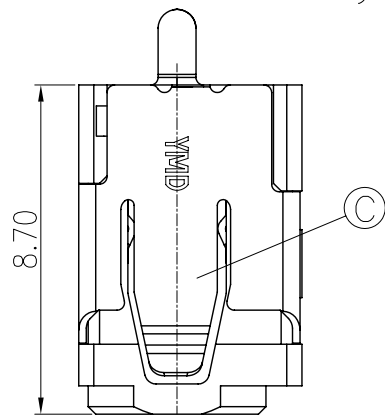




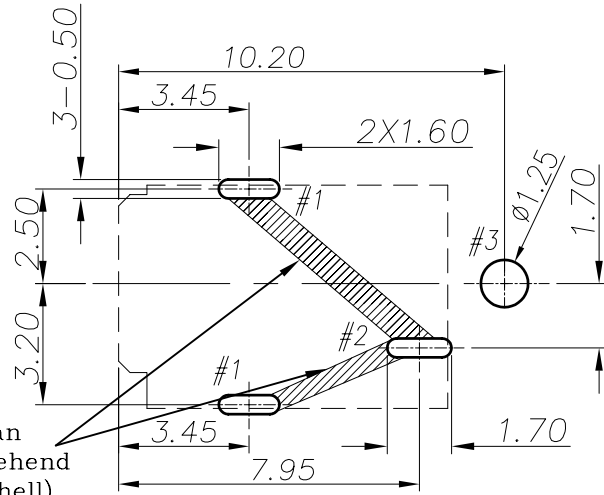
DATE CODE  
Y:Year  
M:Month  
D:Day

REV.	ECN NO OR DESCRIPTION	REVISED	DATE
A	PDR:T150522-2A	STONE	2015.07.25
B	DCN NO:C170030 RATING:19V,3A Change to 19V,3.5A	ZiLiang	2017.05.10

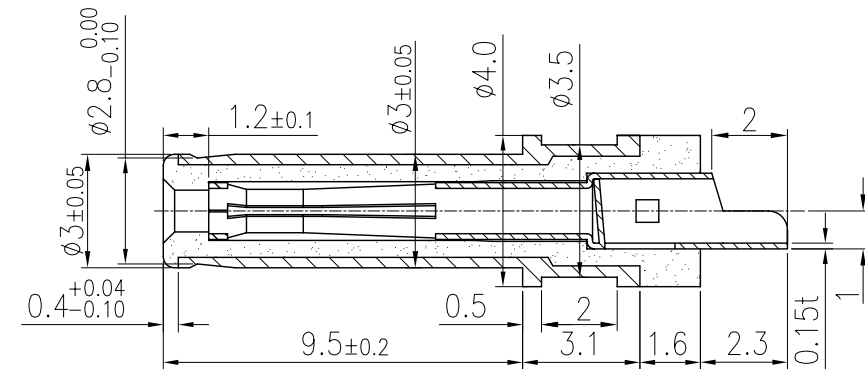
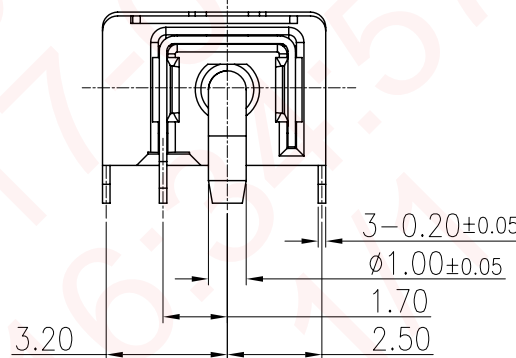
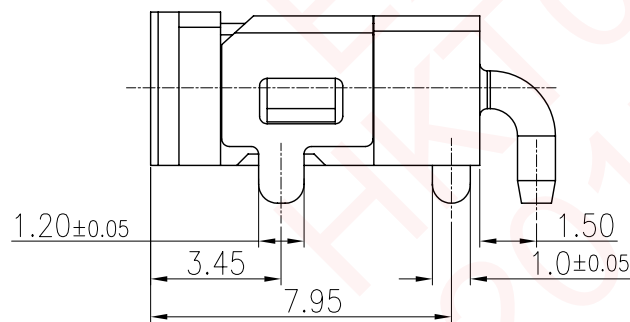
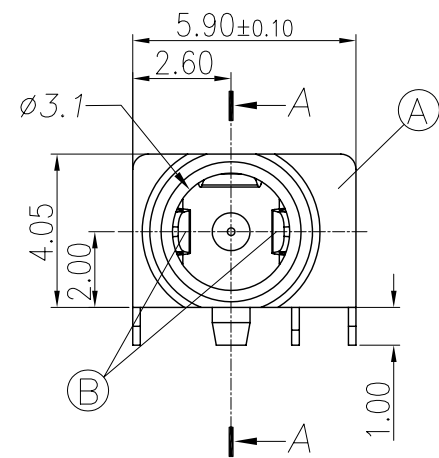
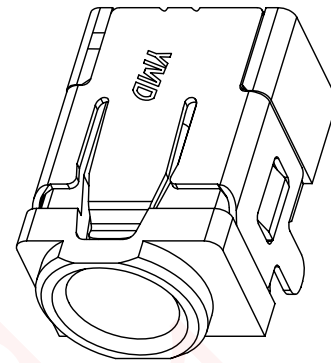
- △ SPECIFICATIONS:**
- 1.RATING:DC 19V 3.5A
  - 2.INSERTION FORCE: 0.6KG~2.0KG  
WITHDRAWAL FORCE: 0.4KG~2.0KG
  - 3.INSULATION RESISTANCE BETWEEN ANY ADJACENT TERMINALS SHALL NOT BE LESS THAN 100 MEGOHMS BY 500 VOLTS MEGGER.
  - 4.JACK SHALL WITHSTAND 500 VOLTS BETWEEN ANY ADJACENT TERMINAL FOR ONE MINUTE.
  - 5.CONTACT RESISTANCE SHALL NOT EXCEED 30mΩ
  - 6.JACK SHALL WITHSTAND 10000 CYCLES OF INSERTION AND WITHDRAWAL WITH TESTING PLUG,AND CONTACT RESISTANCE SHALL NOT EXCEED 60mΩ
  - 7.ENVIRONMENTAL SPECIFICATIONS:
    - 7.1 HUMIDITY TEST: HUMIDITY 90% TO 95% TEMPERATURE 40°C ±2°C FOR 96 HOURS.
    - 7.2 HEAT TEST: TEMPERATURE 70°C ± 2°C (HUMIDITY BELOW 50%) FOR 96 HOURS.
    - 7.3 COLD TEST: TEMPERATURE -40°C ± 2°C FOR 96 HOURS.
  8. OTHER SPEC TO REFER 2DC-0053-K31F SPEC.
  9. PACKING: TAPE & REEL
  10. TO CONFORM TO SINGATRON HAZARDOUS SUBSTANCE FREE SPEC.
  11. HALOGEN FREE PRODUCT IDENTIFICATION MARK ON PRODUCT:
  12. HALOGEN FREE PRODUCT IDENTIFICATION LABEL ON PACKAGING:



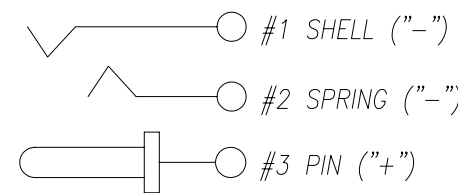
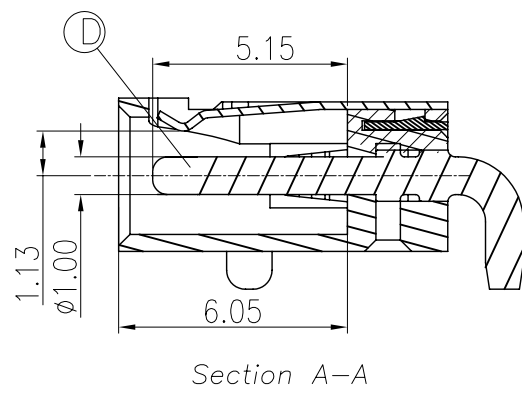
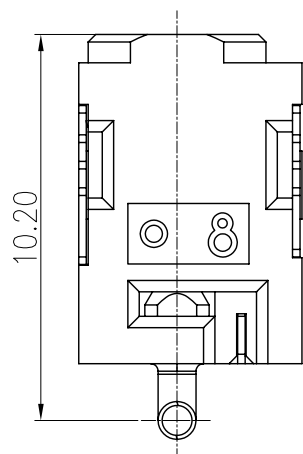
the area can weld (comprehend spring(-)&shell)



RECOMMENDED PCB LAYOUT  
TOP VIEW(TOLERANCE: ±0.05)



∅3.0 PULG TYPE(2DP-0053-K02)



ELECTRICAL CIRCUIT

NO	DESCRIPTION	QTY	MATERIAL	PLATING & COLOR
D	PIN	1	BRASS BAR	GOLD FLASH
C	SHELL	1	COPPER ALLOY 0.2t	GOLD FLASH ON CONTACT AREA AND SOLDER AREA ,OVER Ni 60u" MIN.
B	SPRING	1	COPPER ALLOY 0.2t	
A	BODY	1	PA10T+30%GF UL94V-0	BLACK

UNLESS OTHERWISE SPECIFIED TOLERANCES

Singatron Enterprise Co., Ltd.  
信音企業股份有限公司

DECIMALS:	ANGLES:	TITLE	DC JACK		
X : ±0.5	X : ±2°	DWN	PART NO. 2DC-0053-K31F		
X.X : ±0.3	X.X : ±1°	CHKD	SCALE 5:1	UNIT: mm	APVD
X.XX : ±0.2		APVD	SIZE: A3	SHEET: 10F1	

CUSTOMER COPY