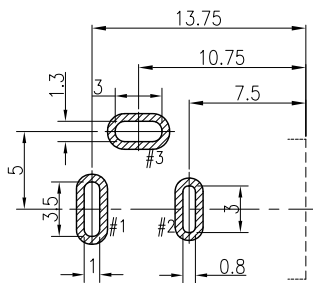
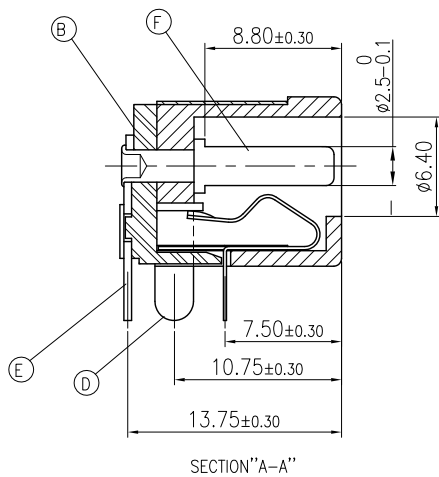
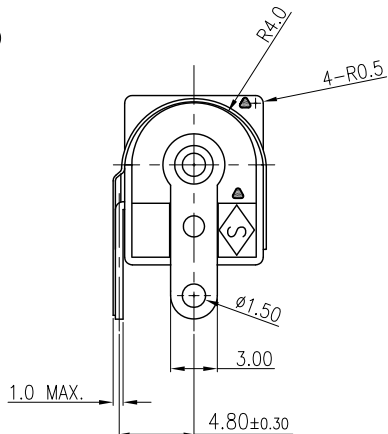
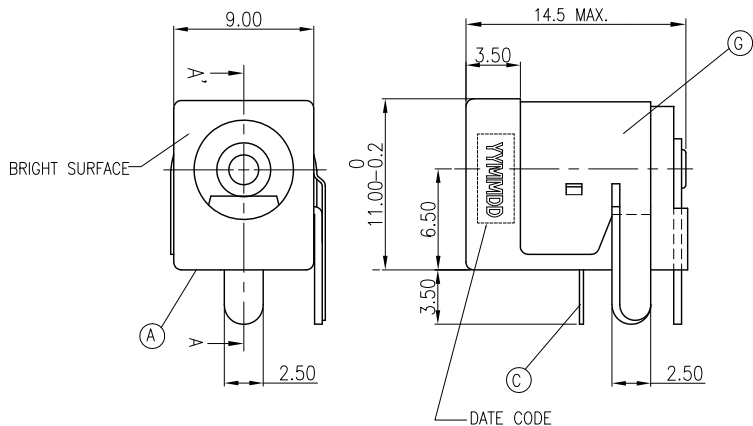
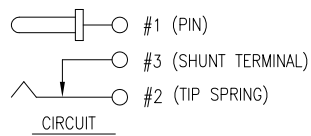


REV.	ECN NO OR DESCRIPTION	REVISED	DATE
A	ECN NO.:C130152 SEPARATE DRAWING	Kermit	2013.11.13



RECOMMEND PC BOARD LAYOUT
TOP VIEW (TOLERANCE ±0.05)



SPECIFICATIONS:

- RATING: DC 20V 4A
- INSERTION FORCE: 0.2KG-2.5KG
WITHDRAWAL FORCE: 0.2KG-3.0KG
- INSULATION RESISTANCE BETWEEN ANY ADJACENT TERMINAL SHALL NOT BE LESS THAN 100 MEGOHMS BY 500V DC.
- JACK SHALL WITHSTAND 250 VOLTS BETWEEN ANY ADJACENT TERMINAL FOR ONE MINUTE.
- CONTACT RESISTANCE SHALL NOT EXCEED 0.03 OHMS.(INITIAL)
- JACK SHALL WITHSTAND 5,000 CYCLES OF INSERTION AND WITHDRAWAL WITH TESTING PLUG, AND CONTACT RESISTANCE SHALL NOT EXCEED 0.1 OHMS.
- MEASURING CONDITION:
TEMPERATURE: FROM 5°C TO 35°C.
RELATIVE HUMIDITY: FROM 40% TO 85%.
- ENVIRONMENTAL SPECIFICATIONS:
 - HUMIDITY TEST: HUMIDITY 90% TO 95% TEMPERATURE 40°C ± 2°C FOR 96 HOURS.
 - HEAT TEST: TEMPERATURE 70°C ± 2°C (HUMIDITY BELOW 50%) FOR 96 HOURS.
 - COLD TEST: TEMPERATURE -40°C ± 2°C FOR 96 HOURS.
- TO CONFORM TO SINGATRON HAZARDOUS SUBSTANCE FREE SPECIFICATION.
- GREEN PRODUCT IDENTIFICATION MARK ON JACK:
- GREEN PRODUCT IDENTIFICATION LABEL ON PACKAGING: **G.P. PASS**
- FOR 260°C 10SEC.WAVE SOLDERING LEAD-FREE PROCESS.
- DATE CODE "YMMDD":
 - DAY
 - MONTH
 - YEAR

G	SHIELDING PLATE	1	COPPER ALLOY 0.2T	HIGH TEMP.Sn BRIGHT 60u"MIN., Ni50u"MIN,Cu60u"MIN.
F	PIN	1	COPPER ALLOY	Ni60u"MIN,Cu80u"MIN.
E	TERMINAL	1	COPPER ALLOY 0.5T	Ag20u"MIN,Ni20u"MIN.
D	SHUNT TERMINAL	1	COPPER ALLOY 0.5T	Ag20u"MIN,Ni20u"MIN.
C	TIP SPRING	1	COPPER ALLOY 0.25T	Ag20u"MIN,Ni20u"MIN.
B	COVER	1	THERMAL PLASTIC UL 94V-0	SEE TABLE
A	BODY	1	THERMAL PLASTIC UL 94V-0	SEE TABLE
NO	DESCRIPTION	QTY	MATERIAL	PLATING & COLOR

UNLESS OTHERWISE SPECIFIED TOLERANCES

Singatron Enterprise Co., Ltd.
信音企業股份有限公司

DECIMALS: ANGLES:
X :±0.5 X :±2°
X.X :±0.3 X.X :±1°
X.XX :±0.2

TITLE	DC POWER JACK		
DWN	Kermit 13/11/27	PART NO. 2DC-S005B100	
CHKD	ZJZ 13/11/27	SCALE 3:1	UNIT: mm
APVD	Liao 13/11/27	SIZE: A4	SHEET: 10F1
			REV: A

CUSTOMER COPY