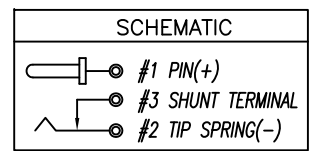
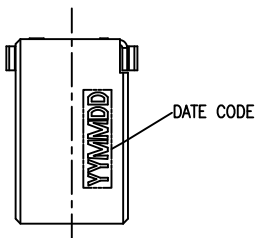
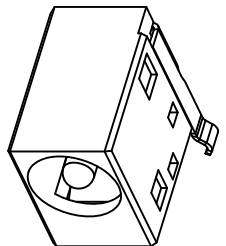
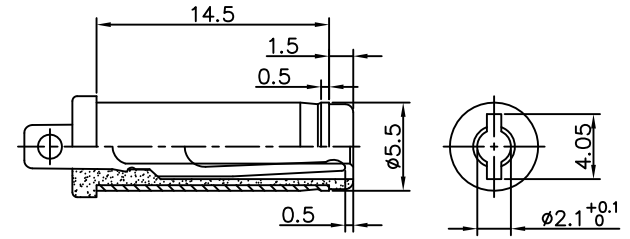
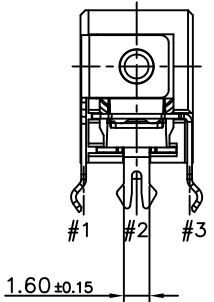
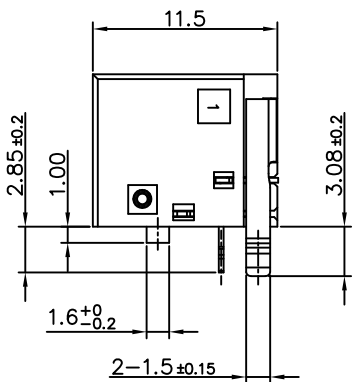
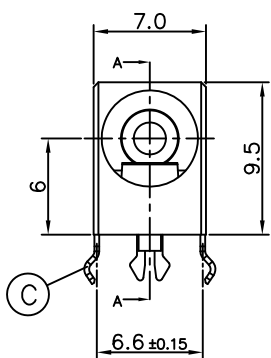
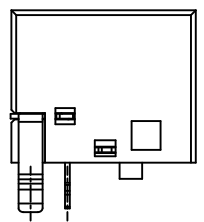


REV.	ECN NO. OR DESCRIPTION	REVISED	DATE
A	PDR NO: T111228-1A	Smile	2012.04.11

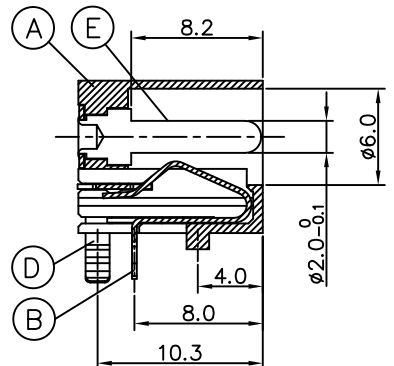


- SPECIFICATIONS:**
- ELECTRICAL CHARACTERISTICS:**
 - 1-1. RATING: 24V 4A
 - 1-2. CONTACT RESISTANCE: 30mΩ MAX.
 - 1-3. DIELECTRIC WITHSTANDING VOLTAGE: 500V AC FOR ONE MINUTE.
 - 1-4. INSULATION RESISTANCE: 100MΩ MIN. MEASURED BY 500 VDC
 - MECHANICAL CHARACTERISTICS:**
 - 2-1. INSERTION FORCE: 0.4~3.0Kgf.
 - 2-2. WITHDRAWAL FORCE: 0.4~3.0Kgf.
 3. LIFE TEST: 5,000 CYCLES MIN.
 4. TO CONFORM TO SINGATRON HAZARDOUS SUBSTANCE FREE SPEC.
 5. GREEN PRODUCT IDENTIFICATION MARK ON JACK:
 6. GREEN PRODUCT IDENTIFICATION LABEL ON PACKAGING:
 7. FOR HAND SOLDERING LEAD-FREE PROCESS.
 8. PRINTED DATE CODE "YYMMDD".

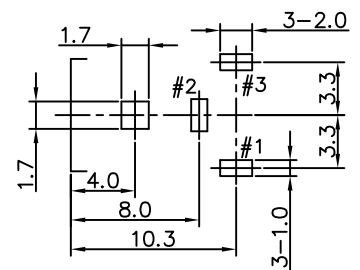
DD: DAY
MM: MONTH
YY: YEAR



MATING PLUG
(TOLERANCE ±0.05)



SECTION A-A



RECOMMEND PCB LAYOUT
TOP VIEW(TOLERANCES:±0.05)

E	PIN	1	BRASS BAR	Ni 60u"Min.
D	TERMINAL	1	COPPER ALLOY 0.30T	Ag 20u"Over Ni 20u"Min.
C	SHUNT TERMINAL	1	COPPER ALLOY 0.30T	Ag 20u"Over Ni 20u"Min.
B	TIP SPRING	1	COPPER ALLOY 0.30T	Ag 20u"Over Ni 20u"Min.
A	BODY	1	HIGH TEMP.THERMOPLASTIC UL 94V-0	BLACK
NO	DESCRIPTION	QTY	MATERIAL	PLATING & COLOR

UNLESS OTHERWISE SPECIFIED TOLERANCES

Singatron Enterprise Co., Ltd.
信音企業股份有限公司

DECIMALS: ANGLES:
x :±0.5 X :±2°
x.x :±0.3 x.x :±1°
x.xx :±0.2

TITLE	DC POWER JACK		
DWN	Smile	PART NO. 2DC-0006-D19F	
CHKD	Sky	SCALE:4:1	UNIT: MM
APVD	Lussen	SIZE: A3	SHEET:1 OF 1 REV: A

CUSTOMER COPY