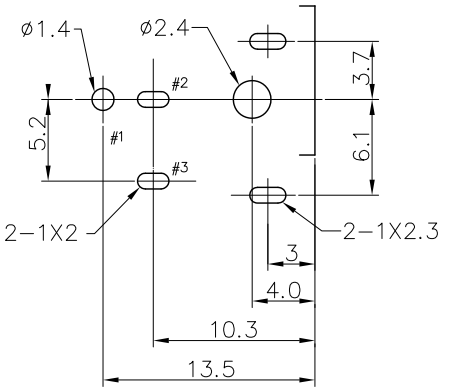
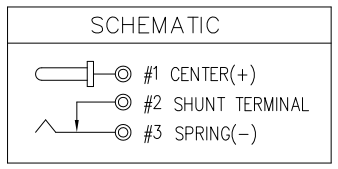
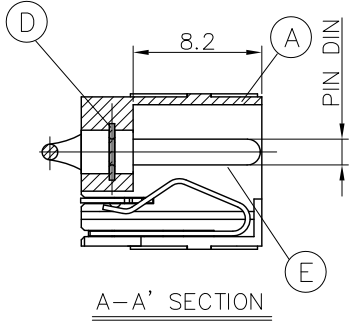
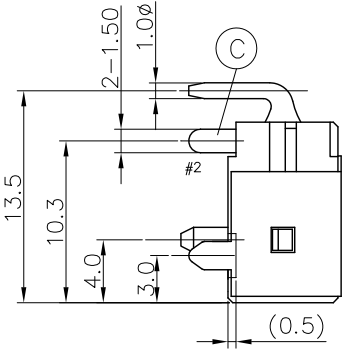
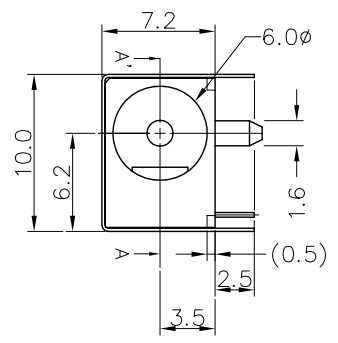
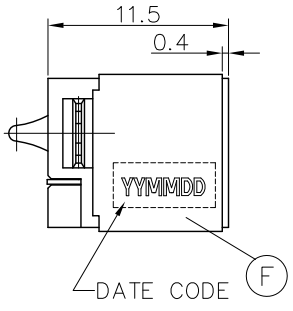
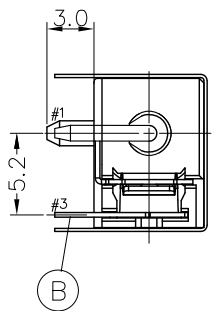


REV.	ECN NO OR DESCRIPTION	REVISED	DATE
J	ECN NO.S130217	Danfeng	2013.03.06
K	ECN NO.S151134-C	YUREN	2016.1.28

SPECIFICATIONS:

- RATING: DC 26V 5A
- INSERTION FORCE: 0.4KGf-3.0KGf
WITHDRAWAL FORCE: 0.4KGf-3.0KGf
- INSULATION RESISTANCE BETWEEN ANY ADJACENT TERMINALS SHALL NOT BE LESS THAN 100 MEGOHMS BY 500 VOLTS MEGGER.
- JACK SHALL WITHSTAND 250 VOLTS BETWEEN ANY ADJACENT TERMINAL FOR ONE MINUTE.
- CONTACT RESISTANCE SHALL NOT EXCEED 0.03 OHMS.
- JACK SHALL WITHSTAND 5,000 CYCLES OF INSERTION AND WITHDRAWAL WITH TESTING PLUG, AND CONTACT RESISTANCE SHALL NOT EXCEED 0.1 OHMS.
- MEASURING CONDITION:
TEMPERATURE: FROM 5°C TO 35°C.
RELATIVE HUMIDITY: FROM 40% TO 85%
- ENVIRONMENTAL SPECIFICATIONS:
 - HUMIDITY TEST: HUMIDITY 90% TO 95% TEMPERATURE 40°C ± 2°C FOR 96 HOURS.
 - HEAT TEST: TEMPERATURE 70°C ± 2°C (HUMIDITY BELOW 50%) FOR 96 HOURS.
 - COLD TEST: TEMPERATURE -40°C ± 2°C FOR 96 HOURS.
- SOLDERABILITY TEST: THE TERMINATION IS AT LEAST 95% COVERED BY A CONTINUOUS NEW SOLDER COATING.
TEST CONDITION: DIP IN MOLTEN SOLDER FOR 5 Sec. AT 245±5°C (TERMINATION SHALL BE IMMERSED IN FLUX BEFORE TEST)
- PACKING: TAPE&REEL.
- SOLDERING CONDITION: WAVE SOLDERING / IR REFLOW.
- TO CONFORM TO SINGATRON HAZARDOUS SUBSTANCE FREE SPEC.
- GREEN PRODUCT IDENTIFICATION MARK ON JACK:
- GREEN PRODUCT IDENTIFICATION LABEL ON PACKAGING: **G.P. PASS**
- FOR LEAD FREE PROCESS.
- PRINTED DATE CODE "YYMMDD" ON TOP OF CONNECTOR.



YYMMDD
 DD: DAY
 MM: MONTH
 YY: YEAR

ORDERING CODE:
2DC-S756 200

PART NO.	PIN DIA.
B	2.5φ ^{+0.1}
D	2.0φ ^{+0.1}
C	2.35φ ^{+0.1}
I	1.65φ ^{+0.1}

NO	DESCRIPTION	QTY	MATERIAL	PLATING & COLOR
F	SHIELDING	1	BRASS STRIP 0.2t	Ni 60u" Min
E	PIN	1	BRASS BAR	Ag 20u" Min
D	TERMINAL	1	STAINLESS 0.3t	N/A
C	SHUNT TERMINAL	1	BRASS STRIP 0.3t	Ag 20u" Min
B	TIP SPRING	1	C5210-EH 0.3t	Ag 20u" Min
A	BODY	1	HIGH TEMP. THERMOPLASTIC UL 94V-0	BLACK COLOR

UNLESS OTHERWISE SPECIFIED TOLERANCES

	Singatron Enterprise Co., Ltd. 信音企業股份有限公司
--	--

DECIMALS:	ANGLES:	TITLE	DC POWER JACK		
X : ±0.5	X : ±2°	DWN YUREN	PART NO. 2DC-S756X200		
X.X : ±0.3	X.X : ±1°	CHKD CERRY	SCALE:3/1	UNIT: mm	
X.XX : ±0.2		APVD LIAO	SIZE: A3	SHEET:1 OF 1	REV:K
CUSTOMER COPY					

