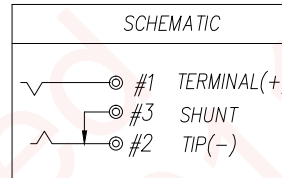
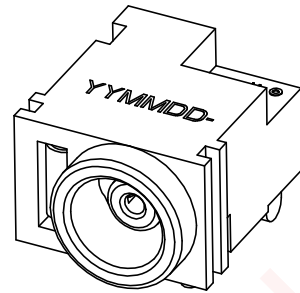
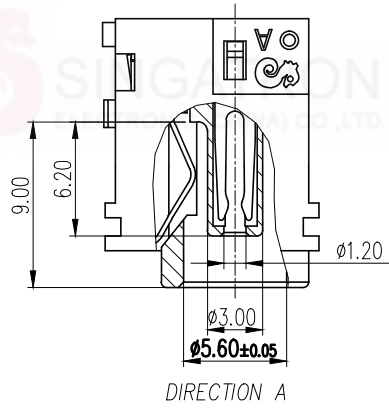


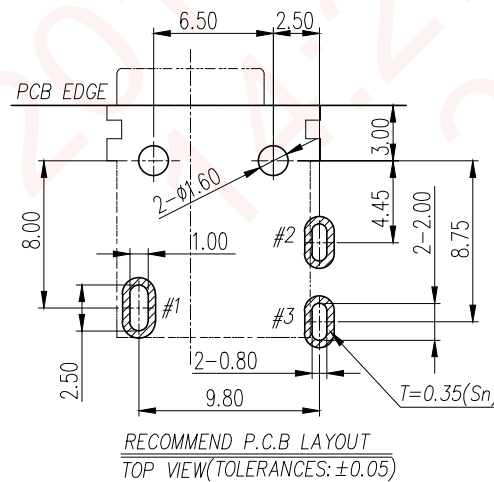
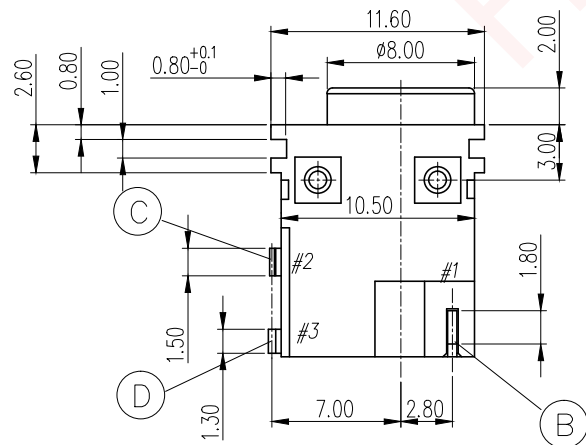
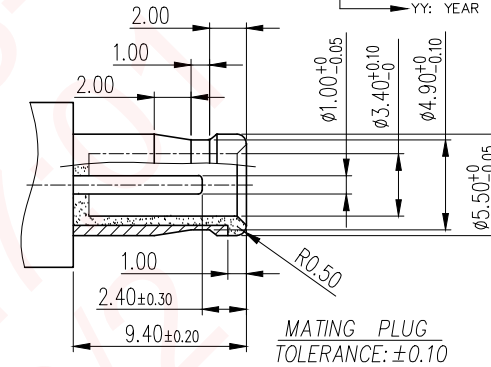
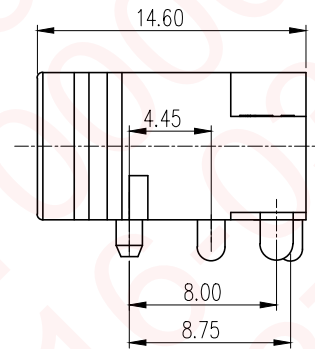
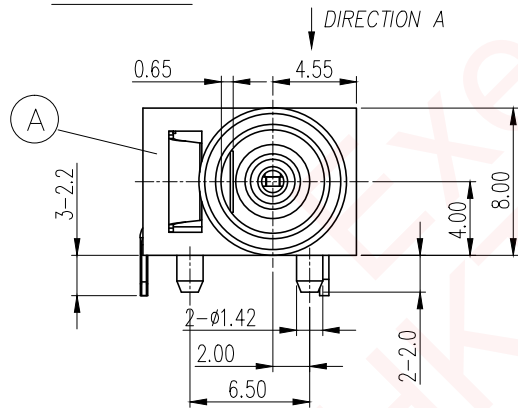
REV.	ECN NO OR DESCRIPTION	REVISED	DATE
A	ECN NO: S160220-C	YUREN	2016.02.25



SPECIFICATIONS:

- ELECTRICAL CHARACTERISTICS:**
 - 1-1. RATING: DC 20V 7A
 - 1-2. CONTACT RESISTANCE: 30mΩ MAX.(INITIAL)
 - 1-3. DIELECTRIC WITHSTANDING VOLTAGE: 500V AC FOR ONE MINUTE
 - 1-4. INSULATION RESISTANCE: 100MΩ MIN. MEASURED BY 500 VDC
- MECHANICAL CHARACTERISTICS:**
 - 2-1. INSERTION FORCE : 3.0 KG Max.
 - 2-2. WITHDRAWAL FORCE : 1.0~3.0 KG
- LIFE TEST: 5,000 CYCLES MIN.**
- TO CONFORM TO SINGATRON HAZARDOUS SUBSTANCE FREE SPEC.**
- HALOGEN FREE PRODUCT IDENTIFICATION MARK ON JACK:**
- HALOGEN FREE PRODUCT IDENTIFICATION LABEL ON PACKAGING:**
- FOR REFLOW SOLDERING LEAD-FREE PROCESS.**
- PRINTED DATE CODE "YYMMDD" ON TOP OF CONNECTOR.**

DD: DAY
MM: MONTH
YY: YEAR



D	SHUNT	1	BRASS; 0.4T	GOLD FLASH ON CONTACT AREA; Sn 120u" ON SOLDER TAIL; ALL OVER Ni 60u"
C	TIP	1	COPPER ALLOY; 0.25T	GOLD FLASH ON CONTACT AREA; Sn 120u" ON SOLDER TAIL; ALL OVER Ni 60u"
B	TERMIANL	1	COPPER ALLOY; 0.5T	GOLD FLASH ON CONTACT AREA; Sn 120u" ON SOLDER TAIL; ALL OVER Ni 60u"
A	BODY	1	HIGH THERMOPLASTIC TEMP. UL 94V-0	BLACK

UNLESS OTHERWISE SPECIFIED TOLERANCES

Singatron Enterprise Co., Ltd.
信音企業股份有限公司

DECIMALS: ANGLES:
X : ±0.5 X : ±2°
X.X : ±0.3 X.X : ±1°
X.XX : ±0.2

TITLE		DC POWER JACK	
DWN	YUREN	PART NO. 2DC3010-000112F	
CHKD	CERRY	SCALE: 1:1	UNIT: mm
APVD	LIAO	SIZE: A3	SHEET: 1 OF 1
			REV: A

CUSTOMER COPY