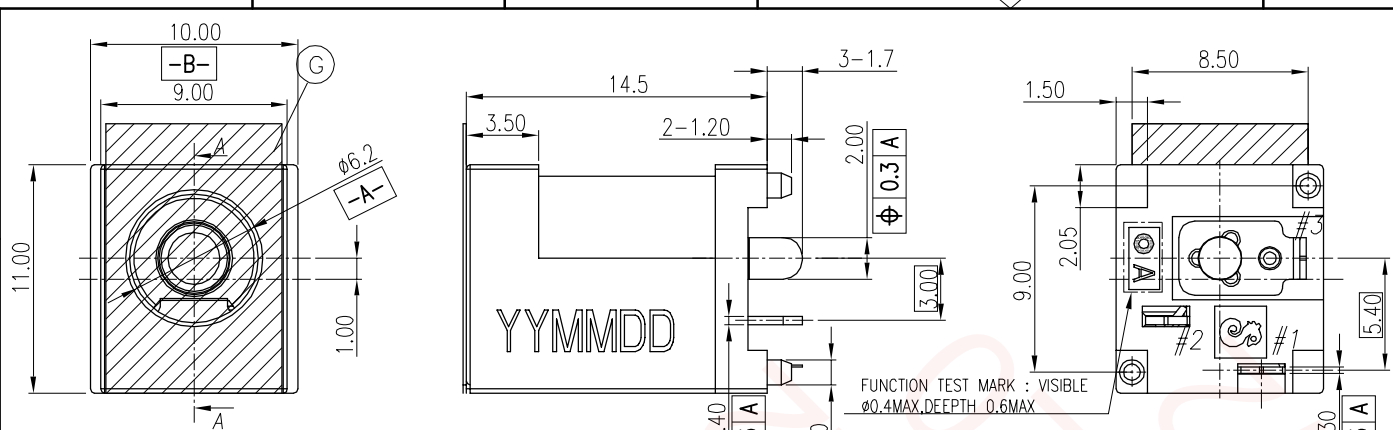
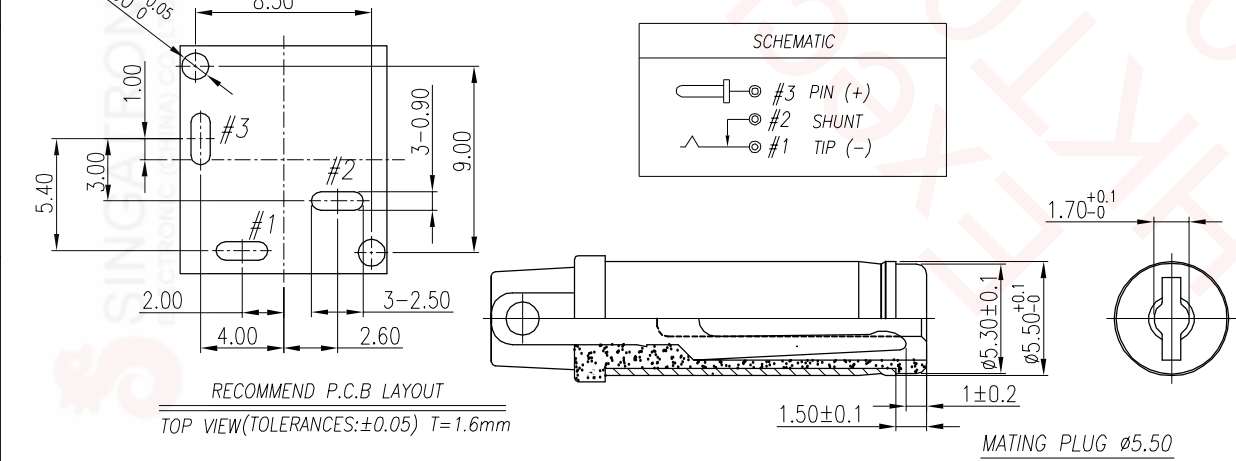
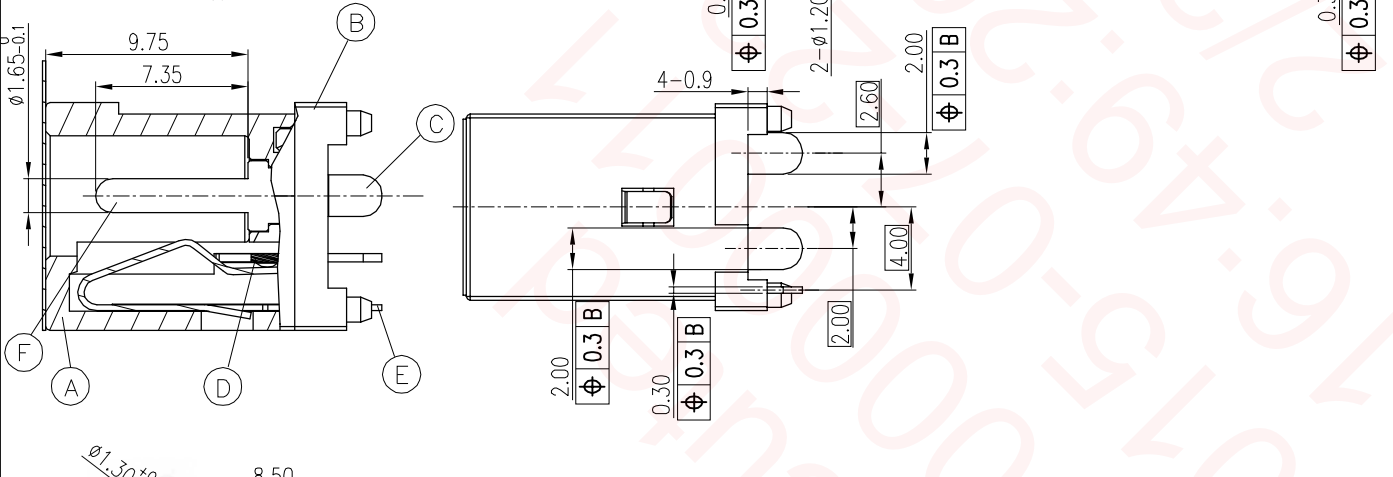
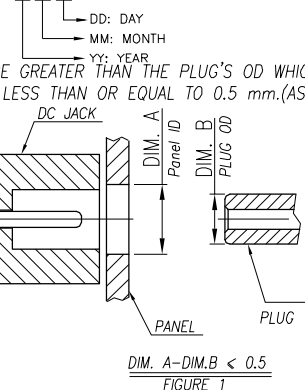


REV.	ECN NO OR DESCRIPTION	REVISED	DATE
A	PDR No.: T150331-2A	Summer	2015.07.06



- SPECIFICATIONS:
- ELECTRICAL CHARACTERISTICS:
 - RATING: 20V 7A
 - CONTACT RESISTANCE: 30m MAX.(INITIAL)
 - DIELECTRIC WITHSTANDING VOLTAGE: 500V AC FOR ONE MINUTE
 - INSULATION RESISTANCE: 100M Ω . MEASURED BY 500 VDC
 - MECHANICAL CHARACTERISTICS:
 - INSERTION FORCE : 3.0 Kgf Max.
 - WITHDRAWAL FORCE : 0.3~3.0 Kgf
 - LIFE TEST: 5,000 CYCLES MIN.
 - OTHER GENERAL SPEC. TO REFER "2DC3012-00X11X SPEC".
 - HALOGEN FREE PRODUCT IDENTIFICATION MARK ON JACK:
 - HALOGEN FREE PRODUCT IDENTIFICATION LABEL ON PACKAGING:
 - FOR WAVE SOLDERING LEAD-FREE PROCESS.
 - PRINTED DATE CODE "YYMMDD" ON TOP OF CONNECTOR.



G	MYLAR	1	TO.15	BROWN YELLOW
F	PIN	1	BRASS	Ni 60u"Min.
E	TIP	1	COPPER ALLOY;0.30T	GOLD FLASH ON CONTACT AREA;
D	SHUNT	1	BRASS; 0.40T	Sn 120u" ON SOLDER TAIL;
C	TERMINAL	1	BRASS; 0.30T	ALL OVER Ni 50u"
B	COVER	1	HIGH TEMP.THERMOPLASTIC UL94V-0	Ag 20u" OVER Ni 20u"Min.
A	BODY	1	HIGH TEMP.THERMOPLASTIC UL94V-0	BLACK
NO	DESCRIPTION	QTY	MATERIAL	PLATING & COLOR

UNLESS OTHERWISE SPECIFIED TOLERANCES		Singatron Enterprise Co., Ltd. 信音企業股份有限公司	
DECIMALS:	ANGLES:	TITLE DC JACK	
X : ±0.5	X : ±2'	DWN	Summer PART NO: 2DC3012-005111F
X.X : ±0.30	X.X : ±1'	CHKD	Sky SCALE: 4:1 UNIT: mm
X.XX : ±0.20		APVD	Lussen SIZE: A3 SHEET: 1 OF 1 REV: A
CUSTOMER COPY			