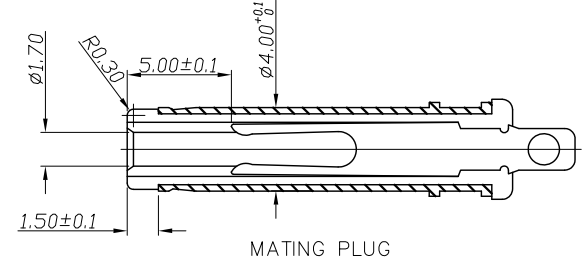
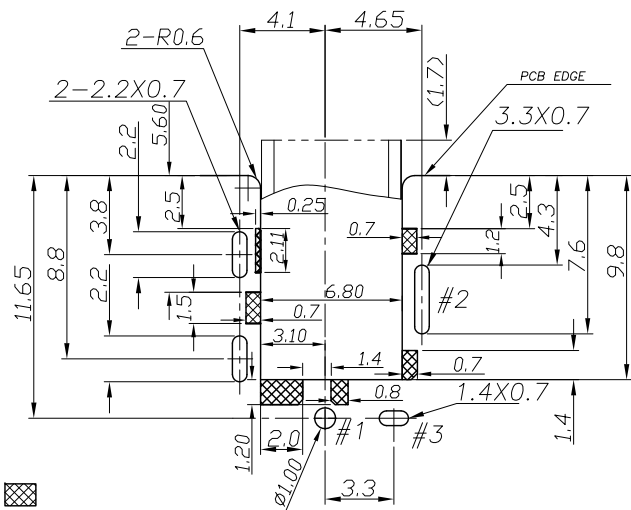
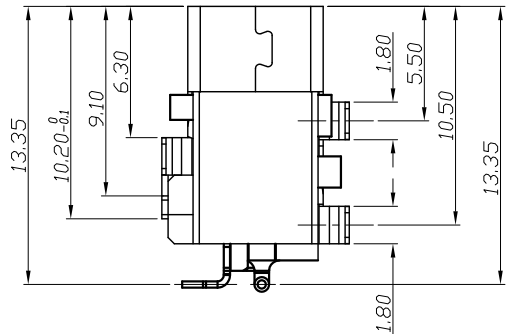
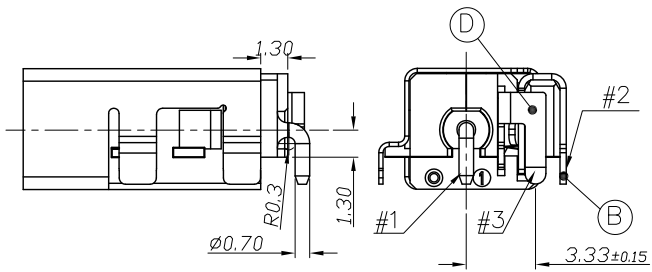
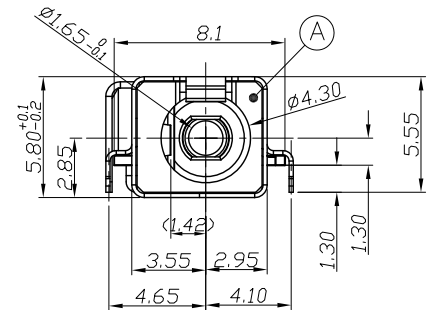
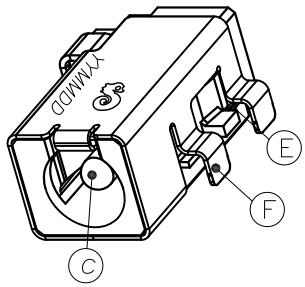
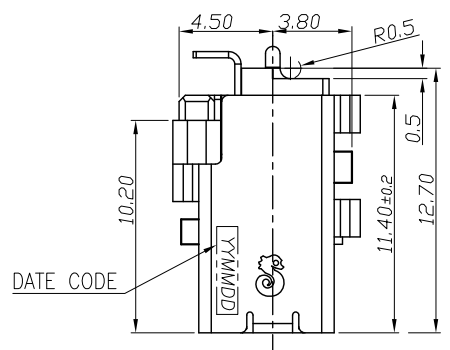
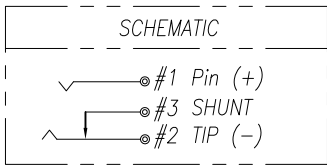


REV.	ECN NO OR DESCRIPTION	REVISED	DATE
A	PRODUCT RELEASE	ZLS	2012.11.21



NO	DESCRIPTION	QTY	MATERIAL	PLATING & COLOR
F	SHIELDING	1	COPPER ALLOY 0.2t	NICKEL PLATING
E	STOPPER	1	HIGH TEMP. THERMOPLASTIC UL 94V-0	BLACK
D	SHUNT	1	COPPER ALLOY 0.3t	GOLD FLASH
C	PIN(+)	1	BRASS BAR	GOLD FLASH
B	TIP(-)	1	COPPER ALLOY 0.3t	GOLD FLASH
A	BODY	1	HIGH TEMP. THERMOPLASTIC UL 94V-0	BLACK



stand off

RECOMMENDED P.C.B LAYOUT  
TOP VIEW (Tolerance:±0.05) (PCB THICKNESS:1.0mm)

SPECIFICATIONS:

- ELECTRICAL CHARACTERISTICS:
  - 1-1. RATING: 19V 3A
  - 1-2. CONTACT RESISTANCE: 30mΩ MAX.(INITIAL)
  - 1-3. DIELECTRIC WITHSTANDING VOLTAGE: 500V AC FOR ONE MINUTE.
  - 1-4. INSULATION RESISTANCE: 100MΩ MIN. MEASURED BY 500 VDC
- MECHANICAL CHARACTERISTICS:
  - 2-1. INSERTION FORCE : 3.0 KGF Max.
  - 2-2. WITHDRAWAL FORCE : 0.3KGF Min.
- LIFE TEST: 5,000 CYCLES MIN.
- OTHER GENERAL SPEC. TO REFER "2DC1016-000112 SPEC".
- TO CONFORM TO SINGATRON HAZARDOUS SUBSTANCE FREE SPEC.
- HALOGEN FREE PRODUCT IDENTIFICATION LABEL ON PACKAGING:
- HALOGEN FREE PRODUCT IDENTIFICATION MARK ON JACK:
- FOR WAVE SOLDERING LEAD-FREE PROCESS.
- PACKAGING: TAPE & REEL

UNLESS OTHERWISE SPECIFIED TOLERANCES		Singatron Enterprise Co., Ltd. 信音企業股份有限公司	
DECIMALS:	ANGLES:	TITLE	DC POWER JACK
X : ±0.5	X : ±2°	DWN	ZLS 2012.11.21 <b>PART NO.2DC1016-002112F</b>
X.X : ±0.3	X.X : ±1°	CHKD	ZJZ 2012.11.26 SCALE 4:1 UNIT: mm
X.XX : ±0.2		APVD	LWAO 2012.11.26 SIZE: A3 SHEET:1 OF 1 <b>REV:A</b>
<b>CUSTOMER COPY</b>			