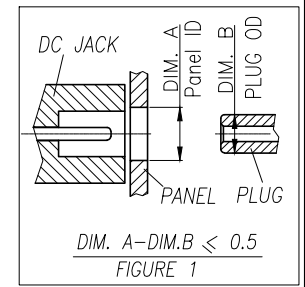
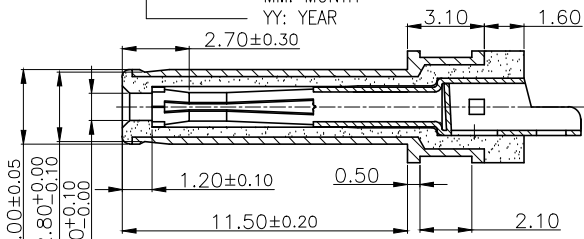


REV.	ECN NO OR DESCRIPTION	REVISED	DATE
A	PDR NO: T140124-5A	Springwu	2014.04.04

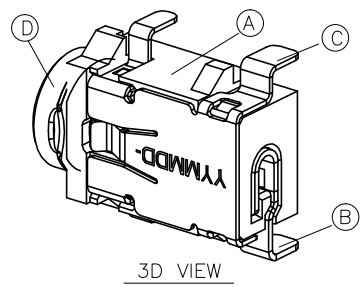
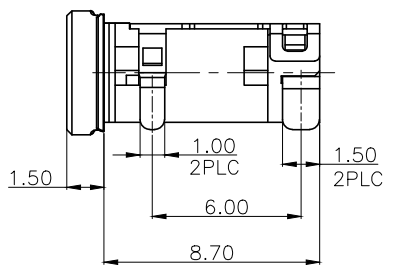
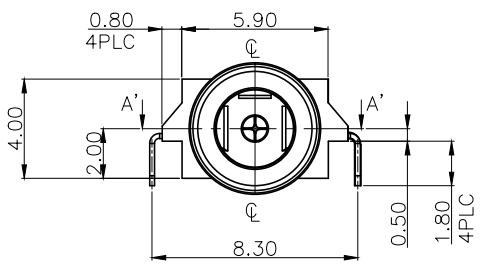
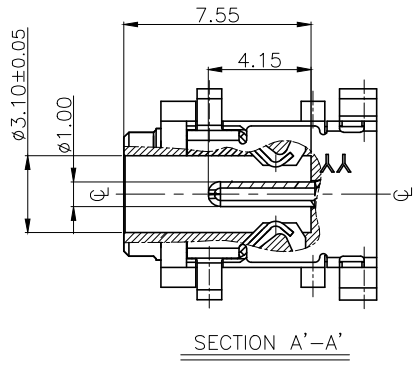
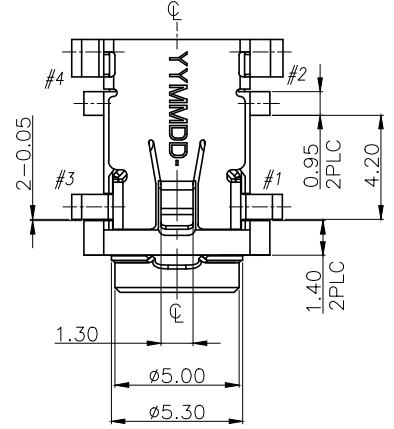
- ELECTRICAL PERFORMANCES:
 - CONTACT RESISTANCE: 60 mΩ MAX.(AFTER TEST)
 - INSULATION RESISTANCE: 100MΩ MIN.
 - DIELECTRIC WITHS TANDING VOLTAGE: 500V AC FOR 1 MINUTE.
- PERFORMANCE:
 - VOLTAGE RATING: 20V DC.
 - CURRENT RATING: 3.0Amps MAX.
 - OPERATING TEMPERAQTURE: -45°C TO +80°C.
- MECHANICAL PERFORMANCES:
 - INSERTION FORCE: 0.5~3.0 KGf
 - WITHDRAWAL FORCE: 0.3~3.0 KGf
 - DURABILITY: 5000 CYCLES.
- HALOGEN FREE PRODUCT IDENTIFICATION MARK ON JACK:
- HALOGEN FREE PRODUCT IDENTIFICATION LABEL ON PACKAGING:
- PRINTED DATE CODE" Y Y M M D D " ON TOP OF CONNECTOR.
- THE PANEL'S ID MUST BE GREATER THAN THE PLUG'S OD WHICH MUST HAVE A DIFFERENCE OF LESS THAN OR EQUAL TO 0.5 mm.(AS SHOWN IN FIGURE 1.)



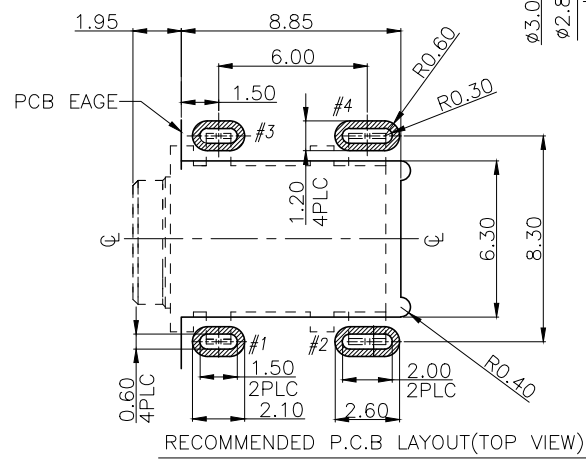
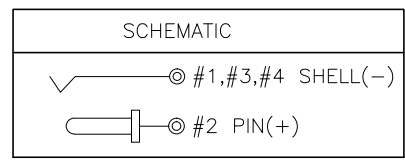
DATE CODE: Y Y M M D D
 DD: DAY
 MM: MONTH
 YY: YEAR



ø3.0 PULG TYPE(2DP1521-000111F)



3D VIEW



RECOMMENDED P.C.B LAYOUT(TOP VIEW)

TOLERANCE ±0.05mm

D	METAL	1	BARSS	Ni 60u" Min.
C	SHELL	1	COPPER ALLOY,T=0.20	G/F on all area.
B	SPRING PIN(+)	1	COPPER ALLOY,T=0.25	G/F Plating on the contact area; Sn 120uin plating on solder tail area. All over 50uin Nickel Plating.
A	BODY	1	HIGH TEMPERATURE THERMOPLASTIC,UL 94V-0	BLACK
NO	DESCRIPTION	QTY	MATERIAL	PLATING & COLOR

UNLESS OTHERWISE SPECIFIED TOLERANCES		Singatron Enterprise Co., Ltd. 信音企業股份有限公司		
DECIMALS:	ANGLES:	TITLE		
X :±0.5	X :±2°	DC POWER JACK		
X.X :±0.3	X.X :±1°	DWN	Springwu	PART NO. 2DC3028-01111F
X.XX :±0.2		CHKD	Sky	SCALE:5:1 UNIT: mm
		APVD	Lussen	SIZE: A3 SHEET:1 OF 1 REV:A
CUSTOMER COPY				