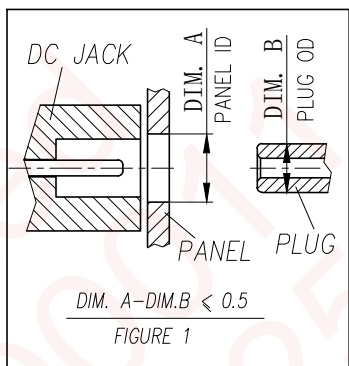
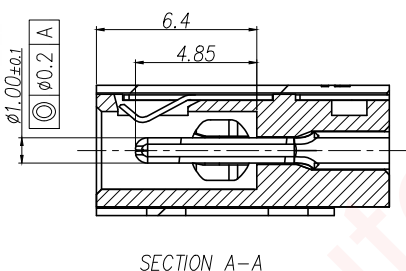
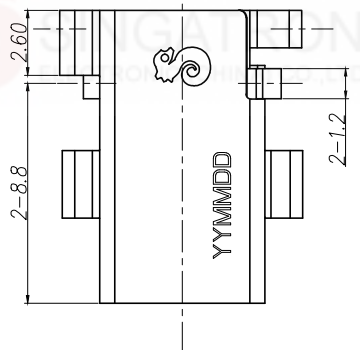
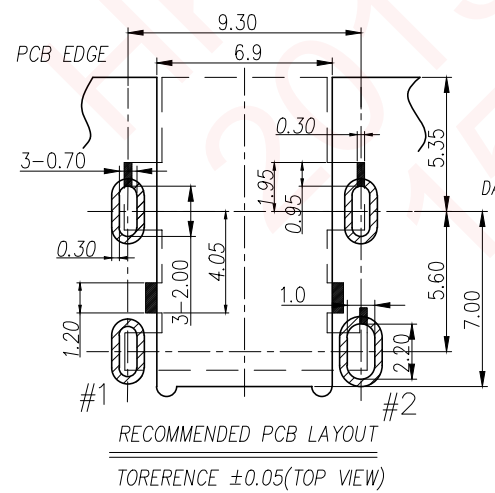
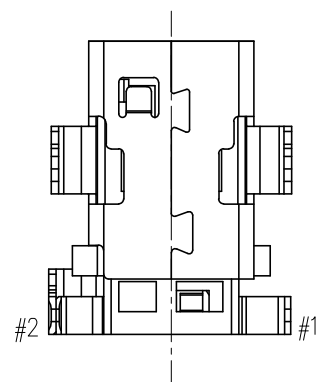
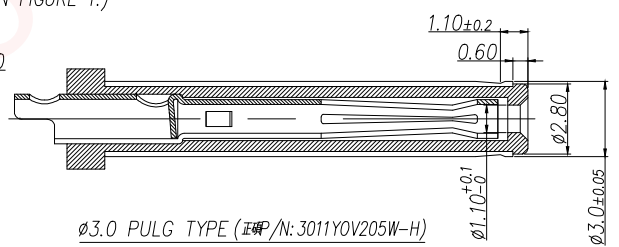
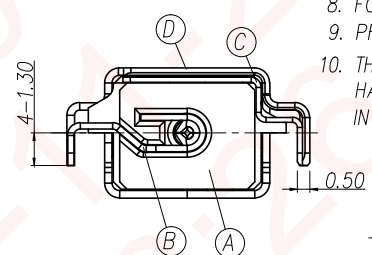
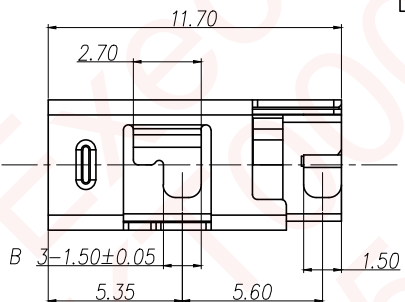
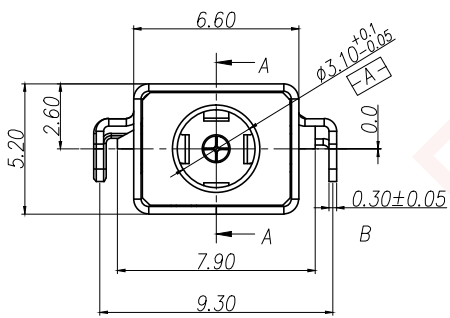


FOR QUANTA

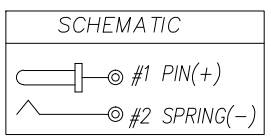
REV.	ECN NO OR DESCRIPTION	REVISED	DATE
A	PDR No.: T140917-1A	Summer	2014.12.10
B	ECN No.: S150932-C	B YUREN	2015.10.30



- SPECIFICATIONS:
- ELECTRICAL CHARACTERISTICS:
 - RATING: 20V 5A;
 - CONTACT RESISTANCE: 30mΩ MAX.(INITIAL)
 - DIELECTRIC WITHSTANDING VOLTAGE: 500V AC FOR ONE MINUTE
 - INSULATION RESISTANCE: 100MΩ MIN. MEASURED BY 500 VDC
 - MECHANICAL CHARACTERISTICS:
 - INSERTION FORCE : 3.0 KGF MAX.
 - WITHDRAWAL FORCE : 1.2~3.0 KGF(INITIAL); 0.70KGF MIN.(AFTER LIFE TEST).
 - LIFE TEST: 5,000 CYCLES MIN.
 - OTHER GENERAL SPEC. TO REFER "2DC3079-001111F SPEC".
 - TO CONFORM TO SINGATRON HAZARDOUS SUBSTANCE FREE SPEC.
 - HALOGEN FREE PRODUCT IDENTIFICATION MARK ON JACK: (C)
 - HALOGEN FREE PRODUCT IDENTIFICATION LABEL ON PACKAGING: (H)
 - FOR REFLOW SOLDERING LEAD-FREE PROCESS.
 - PRINTED DATE CODE "YYMMDD" ON TOP OF CONNECTOR.
 - THE PANEL'S ID MUST BE GREATER THAN THE PLUG'S OD WHICH MUST HAVE A DIFFERENCE OF LESS THAN OR EQUAL TO 0.5 mm.(AS SHOWN IN FIGURE 1.)



DATE CODE: YYMMDD
 DD: DAY
 MM: MONTH
 YY: YEAR



NO	DESCRIPTION	QTY	MATERIAL	PLATING & COLOR
D	SHELL	1	STAINLESS	Ni 60u"
C	SPRING	1	COPPER ALLOY 0.2T	Su 80u" OVER Ni 50u"
B	PIN	1	COPPER ALLOY 0.25T	GOLD FLASH ON CONTACT AREA; Sn 120u" Min PLATED ON SOLDER TAIL; ALL OVER Ni 50u" MIN.
A	BODY	1	HIGH THERMOPLASTIC (HALOGEN FREE) UL94V-0	YELLOW(123C)

UNLESS OTHERWISE SPECIFIED TOLERANCES		Singatron Enterprise Co., Ltd. 信音企業股份有限公司	
DECIMALS:	ANGLES:	TITLE: DC POWER JACK	
X : ±0.5	X : ±2°	DWN: YUREN	PART NO. 2DC3079-007511F
X.X : ±0.3	X.X : ±1°	CHKD: CERRY	SCALE 5:1 UNIT: mm
X.XX : ±0.2		APVD: LIAO	SIZE: A3 SHEET: 1 OF 1 REV: B
CUSTOMER COPY			