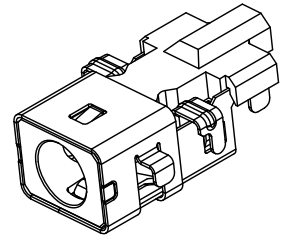
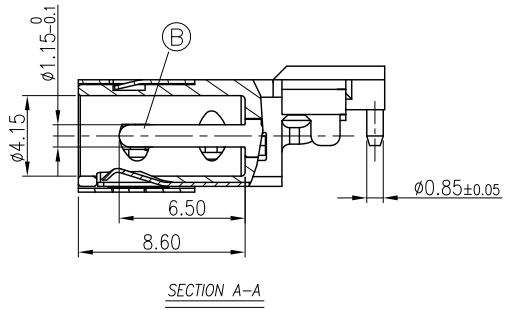
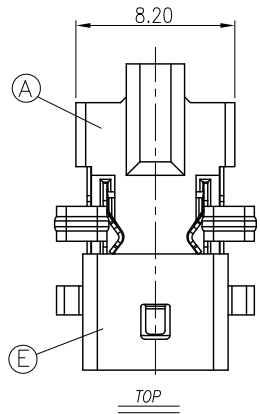
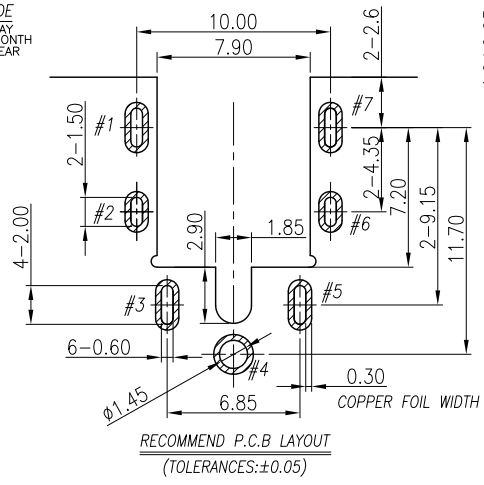
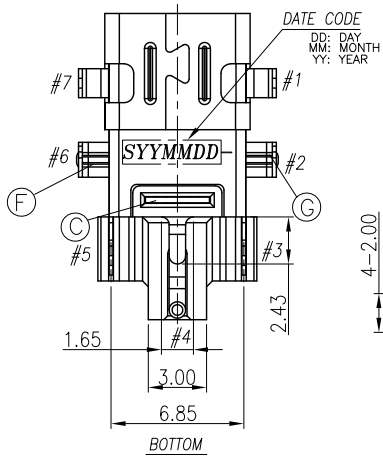
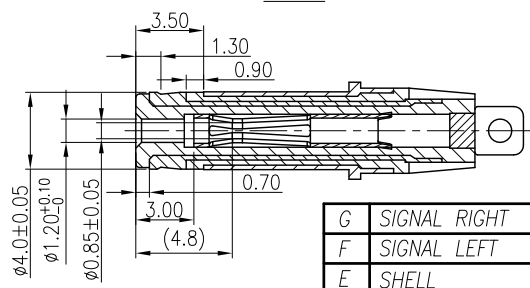
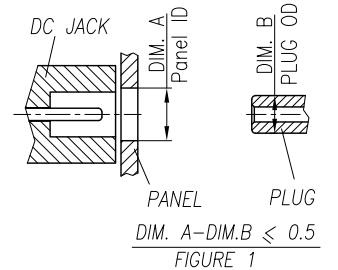
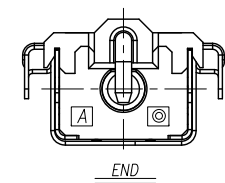
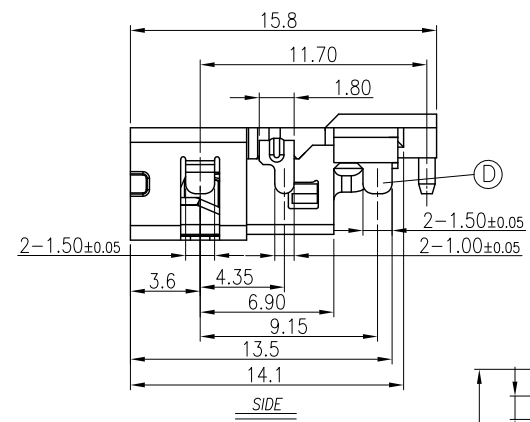
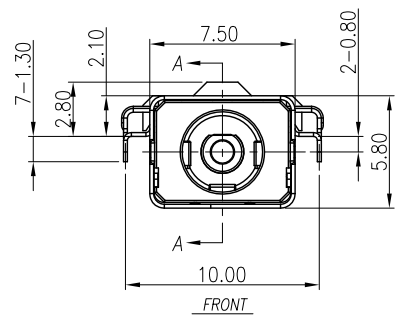


REV.	ECN NO OR DESCRIPTION	REVISED	DATE
A	PDR NO:T130408-2A	Summer	2013.08.13
B	ECN NO:S131040	SEAN	2014.04.14

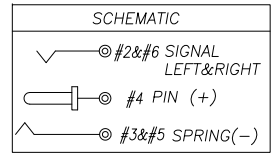


SPECIFICATIONS:

- Electrical Spec:
 - Rated Current: 5A
 - Rated Voltage: 20V
 - Insulation Resistance: 100MΩ MIN. After By 500 VDC for 1 minute
 - Dielectric Withstanding Voltage: 500V AC for 1 minute.
 - Contact Resistance: 30mΩ Max.
- Mechanical Spec:
 - Insertion Force: 1.0~2.5 kg.(Initial) 0.8~2.3 kg.(After Life Test)
 - Withdrawal Force : 0.8~2.0kg.(Initial) 0.6~2.0kg.(After Life Test)
- Temperature Rise Can't Exceed 30°
- Weight: 0.9 Gram.
- Life Test(Insertion/Withdrawal): 5,000 Cycles Min.
- To Conform To SINGATRON Hazardous Substance Free Spec.
- Halogen Free Product Identification Mark On Jack:
- Halogen Free Product Identification Label On Packaging:
- For Reflow Soldering Lead-Free Process.
- THE PANEL'S ID MUST BE GREATER THAN THE PLUG'S OD WHICH MUST HAVE A DIFFERENCE OF LESS THAN OR EQUAL TO 0.5 mm.(AS SHOWN IN FIGURE 1.)



MATING PLUG (零件 4012TV3P0225-5M00-02)
TOLERANCE:X.XX:0.10



G	SIGNAL RIGHT	1	COPPER ALLOY 0.20T	SN 80u"Min, OVER Ni 50u"Min.
F	SIGNAL LEFT	1	COPPER ALLOY 0.20T	SN 80u"Min, OVER Ni 50u"Min.
E	SHELL	1	STAINLESS STEEL 0.20T	Ni 60u"
D	SPRING(-)	1	COPPER ALLOY 0.20T	Ni 60u"
C	TERMINAL	1	STAINLESS STEEL 0.30T	N/A
B	PIN(+)	1	COPPER ALLOY	GOLD FLASH OVER Ni 50u"
A	BODY	1	HIGH TEMP.THERMOPLASTIC UL94V-0	BLACK
ITEM	DESCRIPTION	QTY	MATERIAL	PLATING & COLOR
UNLESS OTHERWISE SPECIFIED TOLERANCES			Singatron Enterprise Co., Ltd. 信音企業股份有限公司	
DECIMALS: X :±0.5		ANGLES: X :±2°		TITLE: DC POWER JACK
X.X :±0.3		X.X :±1°		DWN SEAN PART NO. 2DC3064-016111F
X.XX :±0.2				CHKD CERRY SCALE 4:1 UNIT: mm
				APVD MAX SIZE: A3 SHEET: 1 OF 1 REV: B
CUSTOMER COPY				