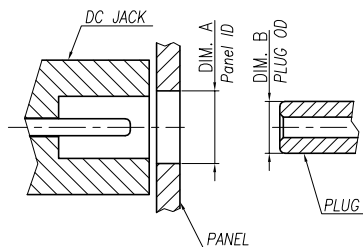
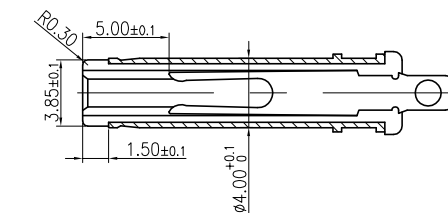
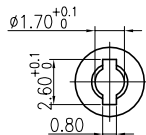
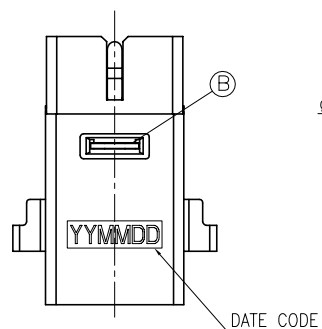


REV.	ECN NO OR DESCRIPTION	REVISED	DATE
A	PDR NO. T131121-1A	Owen	2014.03.11



DIM. A-DIM.B < 0.5  
FIGURE 1



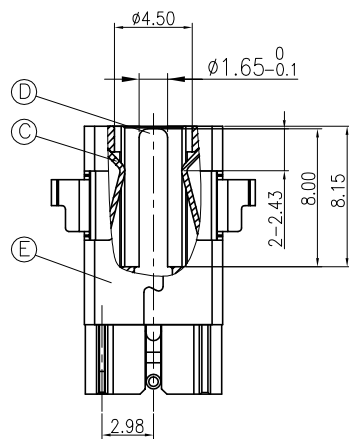
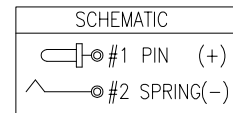
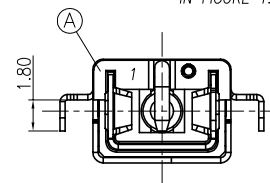
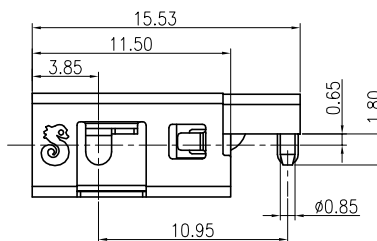
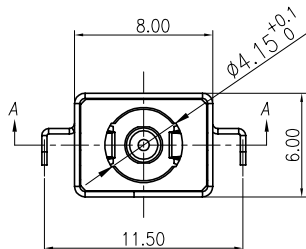
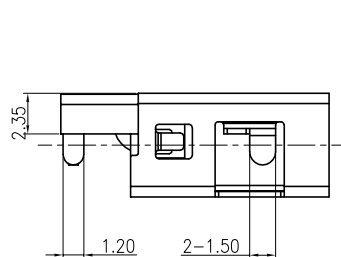
MATING PLUG

SPECIFICATIONS:

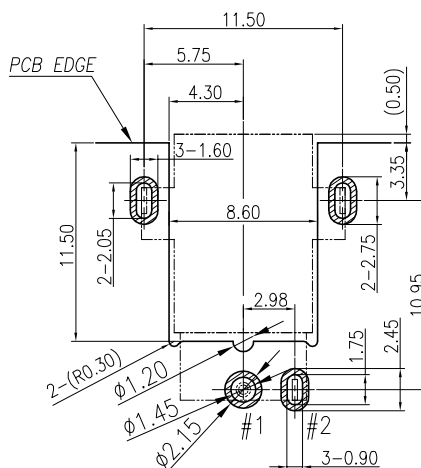
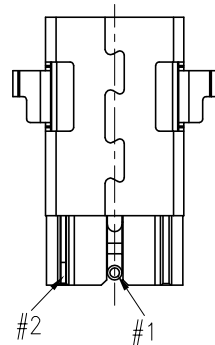
- ELECTRICAL CHARACTERISTICS:
  - 1-1. RATING: 20V 5A
  - 1-2. CONTACT RESISTANCE: 30mΩ MAX.
  - 1-3. DIELECTRIC WITHSTANDING VOLTAGE: 500V AC FOR ONE MINUTE.
  - 1-4. INSULATION RESISTANCE: 100MΩ MIN. MEASURED BY 500 VDC
- MECHANICAL CHARACTERISTICS:
  - 2-1. INSERTION FORCE: 3.5Kgf MAX.
  - 2-2. WITHDRAWAL FORCE: 0.3~3.5Kgf.
- LIFE TEST: 5,000 CYCLES MIN.
- TO CONFORM TO SINGATRON HAZARDOUS SUBSTANCE FREE SPEC.
- GREEN PRODUCT IDENTIFICATION MARK ON JACK:
- GREEN PRODUCT IDENTIFICATION LABEL ON PACKAGING:
- FOR REFLOW SOLDERING LEAD-FREE PROCESS.
- PRINTED DATE CODE "YYMMDD".

DD: DAY  
MM: MONTH  
YY: YEAR

9. THE PANEL'S ID MUST BE GREATER THAN THE PLUG'S OD WHICH MUST HAVE A DIFFERENCE OF LESS THAN OR EQUAL TO 0.5 mm.(AS SHOWN IN FIGURE 1.)



SECTION A-A



RECOMMEND PCB LAYOUT  
TOP VIEW(TOLERANCES:±0.05)

E	SHELL	1	SUS 0.30T	Ni 60u".
D	PIN	1	BRASS	Gold Flash Over Ni50u"Min
C	SPRING	1	COPPER ALLOY 0.30T	Gold Flash On Contact Area. Sn 100u"Min On Solder Tail. All Over Ni 50u"Min.
B	TERMINAL	1	SUS 0.30T	清洗
A	BODY	1	HIGH TEMP. THERMOPLASTIC UL94V-0	BLACK
NO	DESCRIPTION	QTY	MATERIAL	PLATING & COLOR

UNLESS OTHERWISE SPECIFIED TOLERANCES

Singatron Enterprise Co., Ltd.  
信音企業股份有限公司

DECIMALS:	ANGLES:	TITLE	DC POWER JACK	
X :±0.5	X :±2°	DWN	Owen	PART NO. 2DC3074-002111F
X.X :±0.3	X.X :±1°	CHKD	Sky	SCALE 4:1 UNIT: mm
X.XX :±0.2		APVD	Owen	SIZE: A3 SHEET:1 OF 1 REV:A

CUSTOMER COPY