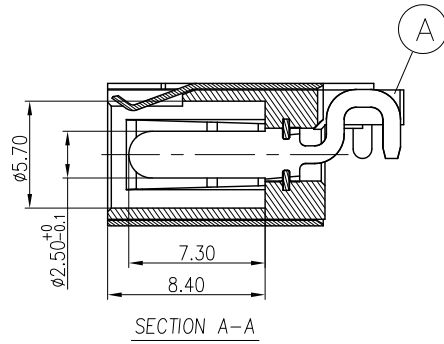
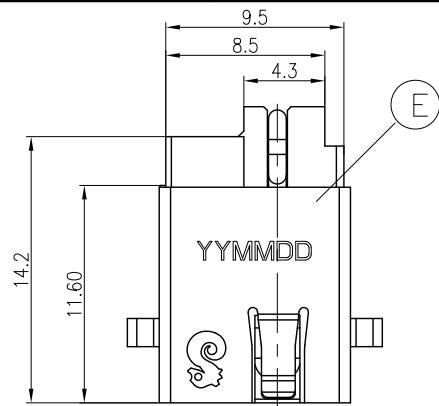
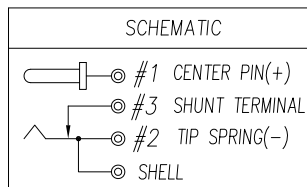
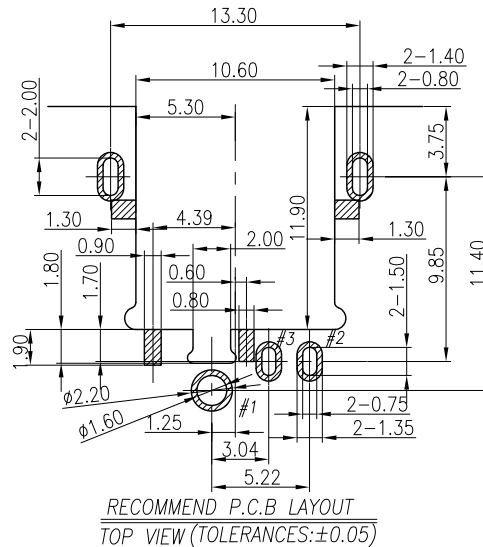
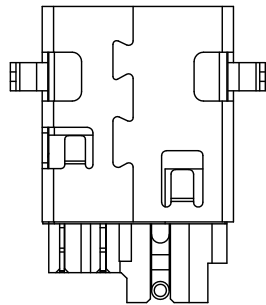
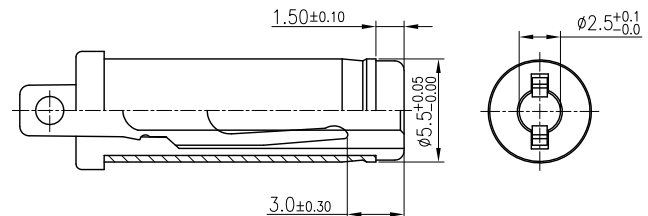
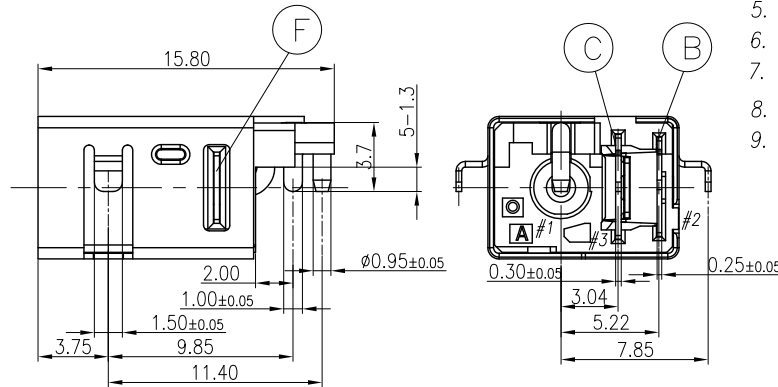
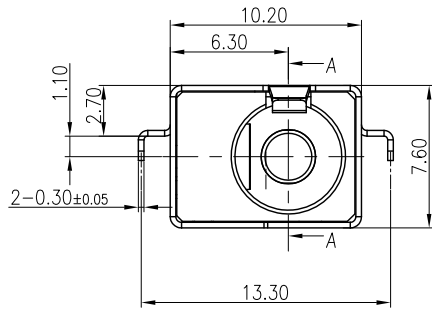


REV.	ECN NO OR DESCRIPTION	REVISED	DATE
A	PDR NO:T120712-2A	Eileen	2012.11.27



SPECIFICATIONS:

- ELECTRICAL CHARACTERISTICS:
 - RATING: DC 20V , 5A
 - CONTACT RESISTANCE: 30mΩ MAX.(INITIAL)
 - DIELECTRIC WITHSTANDING VOLTAGE: 500V AC FOR ONE MINUTE.
 - INSULATION RESISTANCE: 100MΩ MIN. MEASURED BY 500 VDC
- MECHANICAL CHARACTERISTICS:
 - INSERTION FORCE : 3.0 KG Max.
 - WITHDRAWAL FORCE : 0.3~3.0 KG
- LIFE TEST: 5,000 CYCLES MIN.
- TEMPERATURE RISE CAN'T EXCEED 30 °C
- OTHER GENERAL SPEC. TO REFER "2DC3061 SERIES SPEC".
- TO CONFORM TO SINGATRON HAZARDOUS SUBSTANCE FREE SPEC.
- HALOGEN FREE PRODUCT IDENTIFICATION MARK ON PRODUCT: (Ⓞ)
- HALOGEN FREE PRODUCT IDENTIFICATION LOGO ON THE PACKAGING: (♻️)
- FOR REFLOW SOLDERING LEAD-FREE PROCESS.



NO	DESCRIPTION	QTY	MATERIAL	PLATING & COLOR
F	TERMINAL	1	STAINLESS STEEL 0.30T	N/A
E	SHELL	1	COPPER ALLOY 0.30T	Ni 60u"
D	PIN	1	BRASS	GOLD FALSH OVER Ni 50u"
C	SHUNT TERMINAL	1	BRASS STRIP 0.3T	GOLD FALSH ON CONTACT AREA; 120u" Sn ON SOLDER TAIL; ALL OVER Ni 50u" MIN.
B	TIP SPRING	1	COPPER ALLOY 0.25T	
A	BODY	1	HIGH TEMP. THERMOPLASTIC	BLACK

UNLESS OTHERWISE SPECIFIED TOLERANCES		Singatron Enterprise Co., Ltd. 信音企業股份有限公司		
DECIMALS:	ANGLES:	TITLE	DC JACK	
X : ±0.5	X : ±2°	DWN	Eileen	PART NO.2DC3061-035111F
X.X : ±0.3	X.X : ±1°	CHKD	Sky	SCALE: 4:1 UNIT: mm
X.XX : ±0.2		APVD	Lussen	SIZE: A3 SHEET: 10F1 REV:A
CUSTOMER COPY				