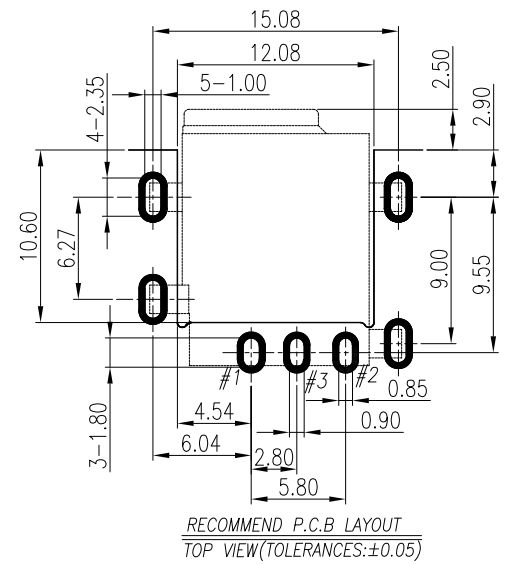
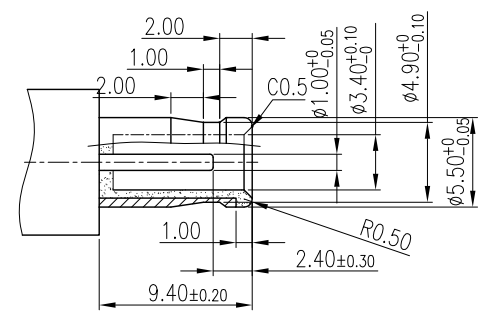
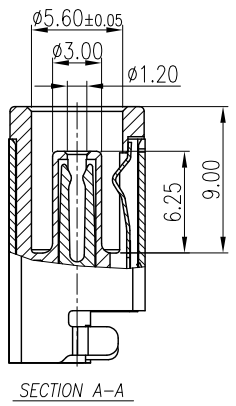
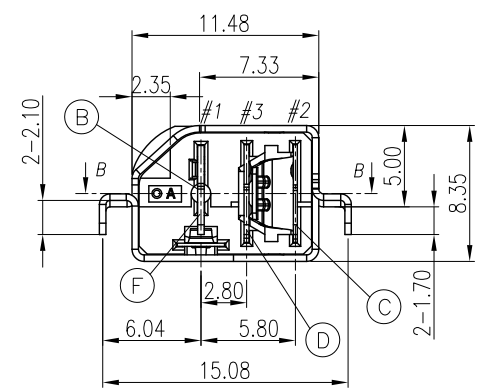
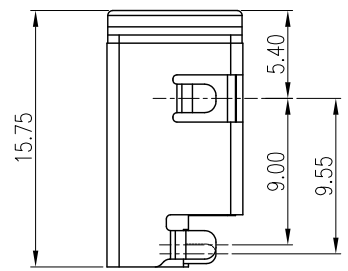
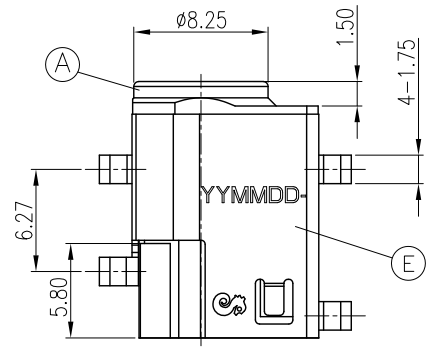


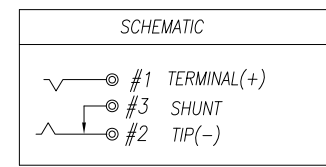
REV.	ECN NO OR DESCRIPTION	REVISED	DATE
A	PDR No.T110511-2A	Summer	2011.08.15
B	ECN No.S120210	ANDY	2012.02.07



SPECIFICATIONS:

- ELECTRICAL CHARACTERISTICS:**
 - 1-1. RATING: 20V 7A
 - 1-2. CONTACT RESISTANCE: 30mΩ MAX.(INITIAL)
 - 1-3. DIELECTRIC WITHSTANDING VOLTAGE: 500V AC FOR ONE MINUTE
 - 1-4. INSULATION RESISTANCE: 100MΩ MIN. MEASURED BY 500 VDC
- MECHANICAL CHARACTERISTICS:**
 - 2-1. INSERTION FORCE :3.0 KG Max.
 - 2-2. WITHDRAWAL FORCE : 1.0~3.0 KG
- LIFE TEST: 5,000 CYCLES MIN.**
- TO CONFORM TO SINGATRON HAZARDOUS SUBSTANCE FREE SPEC.**
- HALOGEN FREE PRODUCT IDENTIFICATION MARK ON JACK: ☉**
- HALOGEN FREE PRODUCT IDENTIFICATION LABEL ON PACKAGING:**
- FOR REFLOW SOLDERING LEAD-FREE PROCESS.**
- PRINTED DATE CODE "YYMMDD" ON TOP OF CONNECTOR.**

DD: DAY
MM: MONTH
YY: YEAR



F	GROUND	1	STAINLESS STEEL; 0.20T	Ni 60u"
E	SHELL	1	BRASS; 0.4T	Ni 60u"
D	SHUNT	1	BRASS; 0.3T	GOLD FLASH ON CONTACT AREA; Sn 120u" ON SOLDER TAIL; ALL OVER Ni 60u"
C	TIP	1	COPPER ALLOY; 0.25T	GOLD FLASH ON CONTACT AREA; Sn 120u" ON SOLDER TAIL; ALL OVER Ni 60u"
B	TERMIANL	1	COPPER ALLOY; 0.4T	GOLD FLASH OVER Ni 60u"
A	BODY	1	HIGH THERMOPLASTIC TEMP. UL 94V-0	BLACK
UNLESS OTHERWISE SPECIFIED TOLERANCES		Singatron Enterprise Co., Ltd. 信音企業股份有限公司		
DECIMALS: ANGLES:		TITLE: DC JACK		
X	:±0.5	X	:±2°	DWN ANDY PART NO.2DC3006-002111F
X.X	:±0.3	X.X	:±1°	CHKD TOM SCALE:1:1 UNIT: mm
X.XX	:±0.2	APVD TONY	SIZE: A3	SHEET:1 OF 1 REV: B
CUSTOMER COPY				