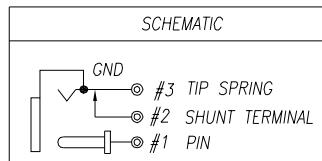
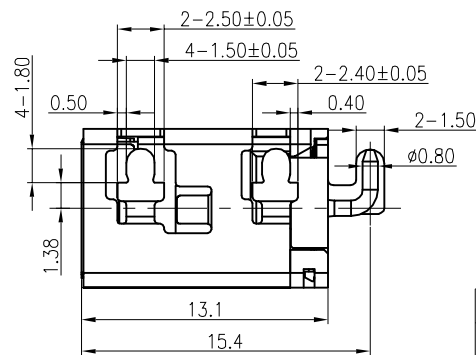
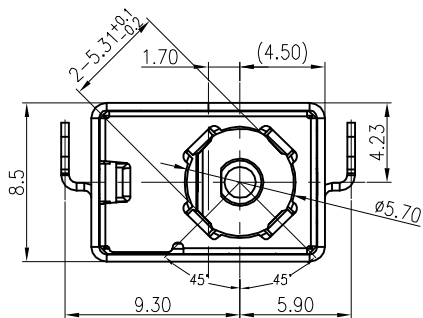
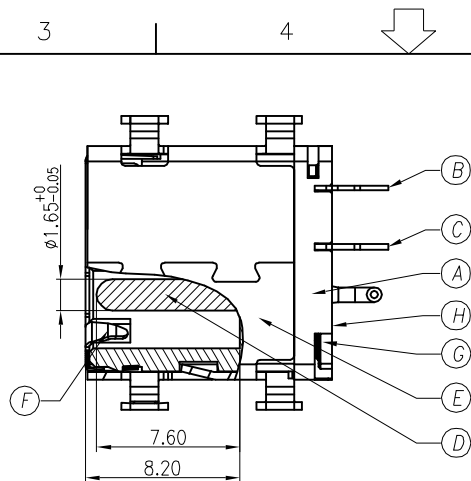
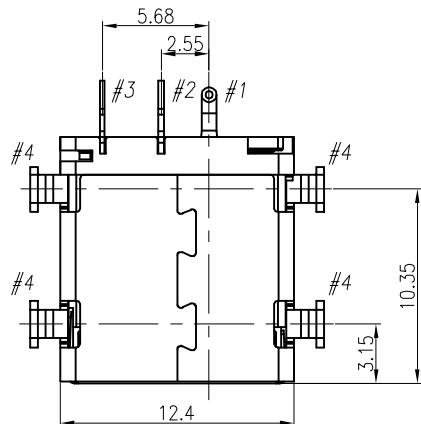


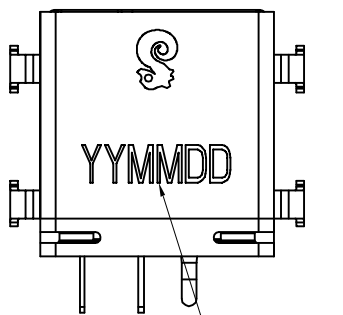
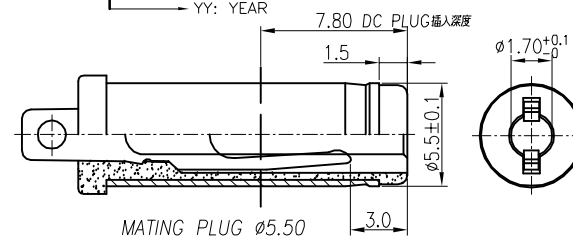
REV.	ECN NO OR DESCRIPTION	REVISED	DATE
A	ECN NO.S170301-0& S170413-0	Kesheng	2020.01.07



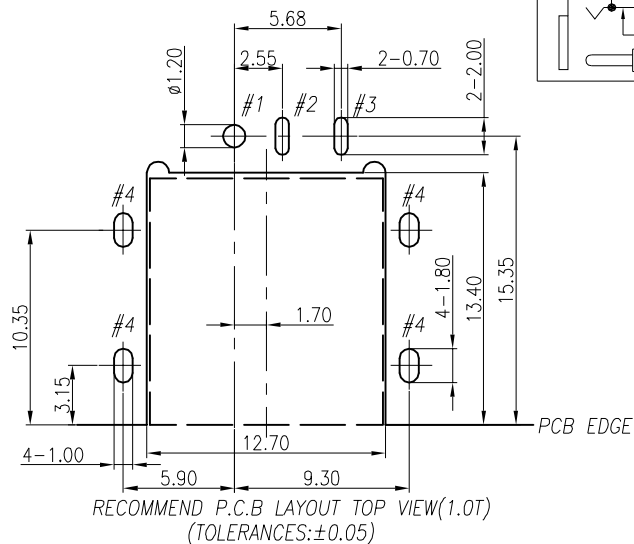
SPECIFICATIONS:

- ELECTRICAL CHARACTERISTICS:
  - RATING: DC 20V 7A
  - CONTACT RESISTANCE: 30mΩ .MAX.(INITIAL)
  - DIELECTRIC WITHSTANDING VOLTAGE: 500V AC FOR ONE MINUTE
  - INSULATION RESISTANCE: 100MΩ MIN. MEASURED BY 500 VDC
- MECHANICAL CHARACTERISTICS:
  - INSERTION FORCE: 0.4~3.0KGF
  - WITHDRAWAL FORCE: 0.4KG~3.0KGF
- LIFE TEST: 5,000 CYCLES MIN
- OTHER GENRAL SPEC TO REFER "2DC3011-001111 SERIES SPEC"
- TO CONFORM TO SINGATRON HAZARDOUS SUBSTANCE FREE SPEC
- HALOGEN FREE PRODUCT IDENTIFICATION MARK ON JACK: ☉
- HALOGEN FREE PRODUCT IDENTIFICATION LABEL ON PACKAGING: ●
- FOR REFLOW SOLDERING LEAD-FREE PROCESS.
- PRINTED DATE CODE "YYMMDD" ON TOP OF CONNECTOR.

DD: DAY  
MM: MONTH  
YY: YEAR



DATE CODE



RECOMMEND P.C.B LAYOUT TOP VIEW(1.0T)  
(TOLERANCES:±0.05)

H	POSITIVE TERMINAL	1	BRASS STRIP 0.3T	NICKEL PLATED
G	COVER	1	THERMOPLASTIC UL 94V-0	BLACK
F	GROUND	1	COPPER ALLOY 0.2T	NICKEL PLATED
E	SHIELDING	1	BRASS STRIP 0.4T	NICKEL PLATED
D	PIN	1	BRASS BAR	GOLD FLASH
C	SHUNT TERMINAL	1	BRASS STRIP 0.3T	GOLD FLASH AT CONTACT AREA;
B	TIP SPRING	1	COPPER ALLOY 0.25T	SN PLATED AT SOLDER TAIL
A	BODY	1	HIGH TEMP.THERMOPLASTIC	BLACK
NO	DESCRIPTION	QTY	MATERIAL	PLATING & COLOR

UNLESS OTHERWISE SPECIFIED TOLERANCES

Singatron Enterprise Co., Ltd.  
信音企業股份有限公司

DECIMALS:	ANGLES:	TITLE	DC JACK	
X : ±0.5	X : ±2°	DWN	Kesheng	PART NO.2DC3011-001111
X.X : ±0.3	X.X : ±1°	CHKD	Sky	SCALE 2:1 UNIT: mm
X.XX : ±0.2		APVD	Lussen	SIZE: A3 SHEET: 10F2 REV: A

CUSTOMER COPY