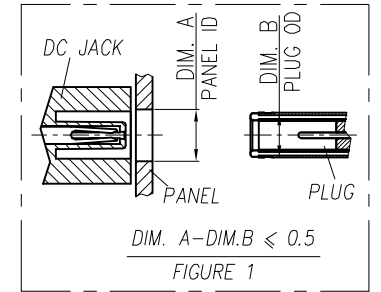
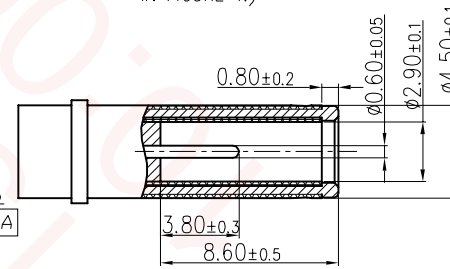
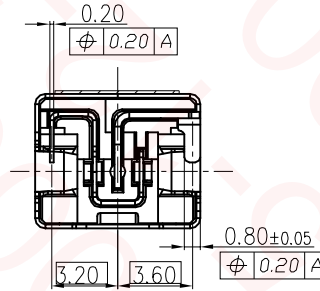
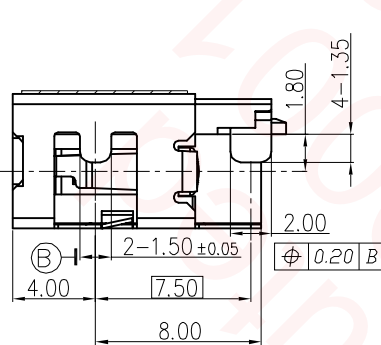
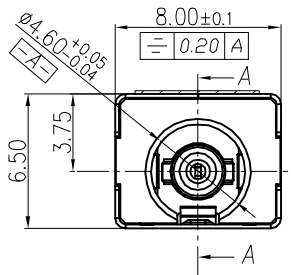
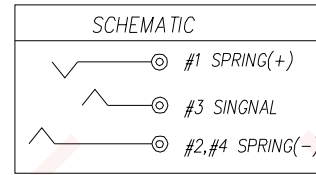
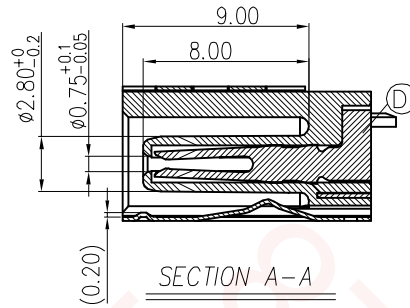
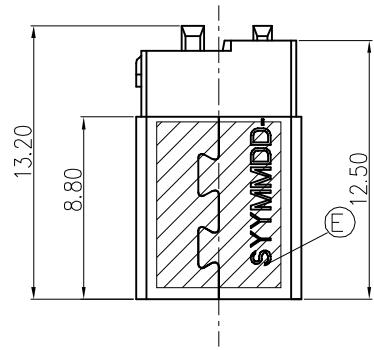


REV.	ECN NO OR DESCRIPTION	REVISED	DATE
A	PDR NO.T14111-4A	Allen	2015.12.22

SPECIFICATIONS:

- ELECTRICAL SPEC:
  - 1-1. RATED CURRENT: 11.5A
  - 1-2. RATED VOLTAGE: 20V
  - 1-3. INSULATION RESISTANCE: 100MΩ MIN. AFTER BY 500 VDC FOR 1 MINUTE
  - 1-4. DIELECTRIC WITHSTANDING VOLTAGE: 500V AC FOR 1 MINUTE.
  - 1-5. CONTACT RESISTANCE: 30mΩ MAX.(INITIAL)
- MECHANICAL SPEC:
  - 2-1. INSERTION FORCE: 3.0Kgf MAX.
  - 2-2. WITHDRAWAL FORCE : 0.4~2.5Kgf.
- WEIGHT: 1.0 GRAM.
- TEMPERATURE RISE CAN'T EXCEED 30°C MAX.
- LIFE TEST(INSERTION/WITHDRAWAL): 5,000 CYCLES MIN.
- OTHER GENERAL SPEC, PLEASE REFER TO "2DC3071 SERIES SPEC".
- HALOGEN FREE PRODUCT IDENTIFICATION MARK ON JACK: (⊙)
- HALOGEN FREE PRODUCT IDENTIFICATION LABEL ON PACKAGING: (Ⓢ)
- FOR REFLOW SOLDERING LEAD-FREE PROCESS.
- THE PANEL'S ID MUST BE GREATER THAN THE PLUG'S OD WHICH MUST HAVE A DIFFERENCE OF LESS THAN OR EQUAL TO 0.50mm.(AS SHOWN IN FIGURE 1.)



MATING PLUG

TOLERANCE: X.XX: ±0.10

PLUG 型號: 皇標45P06CV230-1A00-01

ITEM	DESCRIPTION	QTY	MATERIAL/THICK(mm)	FINISH
E	MYLAR	1	MYLAR 0.075t	YELLOW
D	SIGNAL	1	C5210-EH 0.30T	Pd/Ni (30u" MIN.) & GOLD PLATED(5u" MIN.) ON CONTACT AREA; MATTE Sn 120u" MIN. ON SOLDER TAIL; ALL OVER Ni 50u" MIN.
C	SPRING+	1	C7035-TM04 0.20T	
B	SHELL	1	C7025-TM02 0.20T	Pd/Ni (50u" MIN.) & GOLD PLATED(5u" MIN.) ON CONTACT AREA ALL OVER Ni 50u" MIN.
A	BODY	1	PA4T+30%GF TiTX1 UL 94V-0	BLACK

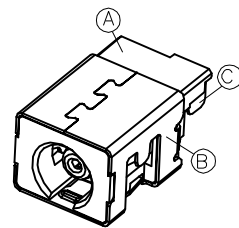
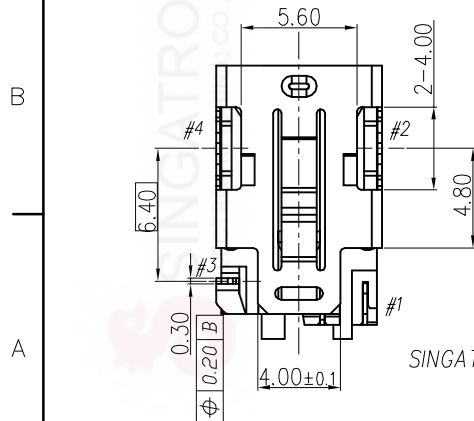
UNLESS OTHERWISE SPECIFIED TOLERANCES

Singatron Enterprise Co., Ltd.  
信音企業股份有限公司

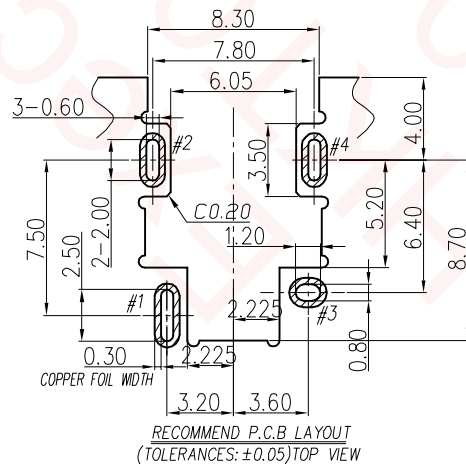
DECIMALS: ANGLES:  
X : ±0.5 X : ±2°  
X.X : ±0.3 X.X : ±1°  
X.XX : ±0.2

TITLE	DC POWER JACK		
DWN	Allen	PART NO. 2DC3071-021111F	
CHKD	Sky	SCALE 4:1	UNIT: mm
APVD	Lussen	SIZE: A3	SHEET: 1 OF 2

CUSTOMER COPY



SYMMDD  
SINGATRON  
DD: DAY  
MM: MONTH  
YY: YEAR



RECOMMEND P.C.B LAYOUT  
(TOLERANCES: ±0.05) TOP VIEW