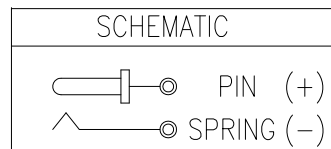
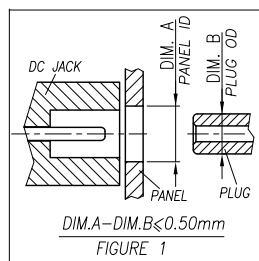
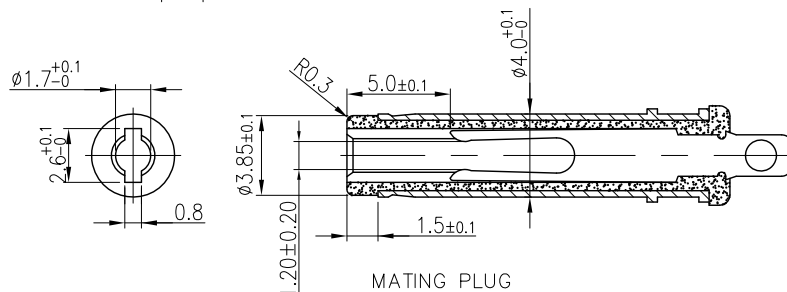
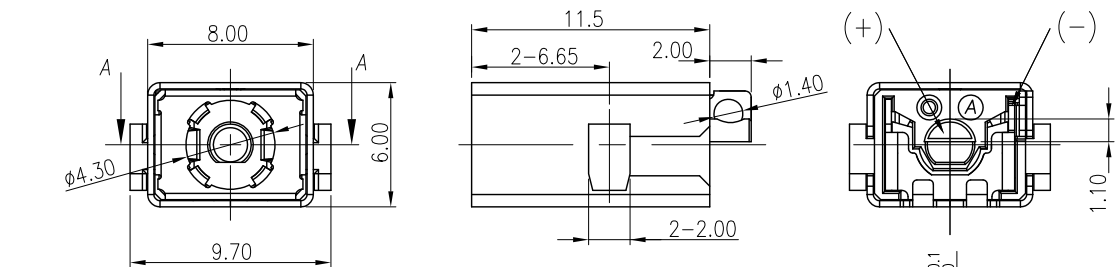
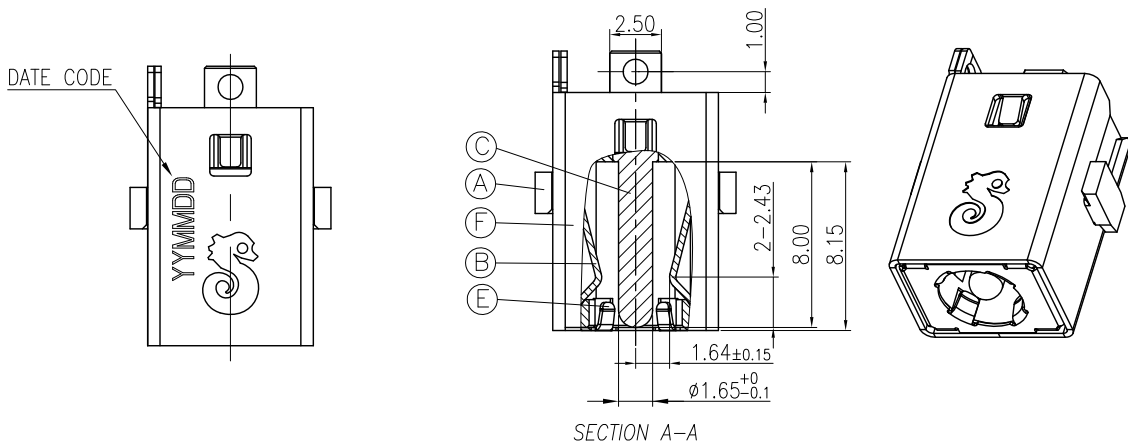


REV.	ECN NO OR DESCRIPTION	REVISED	DATE
A	PDR NO.T140306-8A	SpringWu	2014.5.26



SPECIFICATIONS:

- ELECTRICAL CHARACTERISTICS:
  - RATING: 20V 5A.
  - CONTACT RESISTANCE: 30mΩ MAX.(INITIAL)
  - DIELECTRIC WITHSTANDING VOLTAGE: 500V AC FOR ONE MINUTE.
  - INSULATION RESISTANCE: 100MΩ MIN. MEASURED BY 500 VDC.
- MECHANICAL CHARACTERISTICS:
  - INSERTION FORCE : 0.5~3.0 KGF
  - WITHDRAWAL FORCE : 0.4~2.0 KGF(INITIAL)  
0.3~2.0 KGF(AFTER LIFE TEST)
- LIFE TEST: 5,000 CYCLES MIN.
- OTHER GENERAL SPEC. TO REFER "2DC1015 SERIES SPEC".
- TO CONFORM TO SINGATRON HAZARDOUS SUBSTANCE FREE SPEC.
- HALOGEN FREE PRODUCT IDENTIFICATION MARK ON JACK:
- HALOGEN FREE PRODUCT IDENTIFICATION LABEL ON PACKAGING:
- FOR HAND SOLDERING LEAD-FREE PROCESS.
- THE PANEL'S ID MUST BE GREATER THAN THE PLUG'S OD WHICH MUST HAVE A DIFFERENCE OF LESS THAN OR EQUAL TO 0.50mm.(AS SHOWN IN FIGURE 1.)
- PRINTED DATE CODE "YYMMDD" ON TOP OF CONNECTOR.

DD: DAY  
MM: MONTH  
YY: YEAR

F	SHELL	1	SPCC	Ni 60u" MIN ALL OVER Cu 80u".
E	GROUND	1	STAINLESS STEEL 0.15T	N/A
D	STOPPER	1	THERMOPLASTIC UL 94V-0	BLACK
C	PIN	1	BRASS	可鍍鎳 60u" Min.
B	SPRING	1	COPPER ALLOY 0.30T	GOLD FLASH ON CONTACT AREA . Sn 120u" Min PLATED ON SOLDER TAIL; ALL OVER Ni 50u" MIN.
A	HOUSING	1	THERMOPLASTIC UL 94V-0	BLACK

NO	DESCRIPTION	QTY	MATERIAL	PLATING & COLOR
UNLESS OTHERWISE SPECIFIED TOLERANCES			Singatron Enterprise Co., Ltd. 信音企業股份有限公司	
DECIMALS:		TITLE		
X	:±0.5	DC POWER JACK		
X.X	:±0.3	DWN	SpringWang	<b>PART NO. 2DC1015-008111F</b>
X.XX	:±0.2	CHKD	Sky	SCALE 4:1 UNIT: mm
		APVD	Lussen	SIZE: A3 SHEET:1 OF 1 <b>REV: A</b>
<b>CUSTOMER COPY</b>				