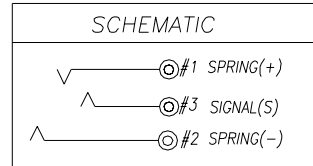
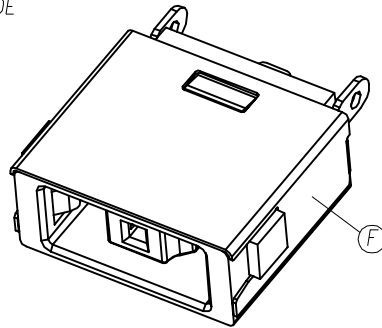
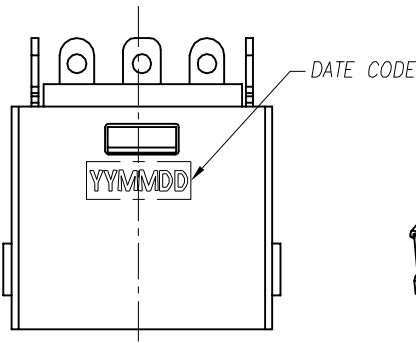
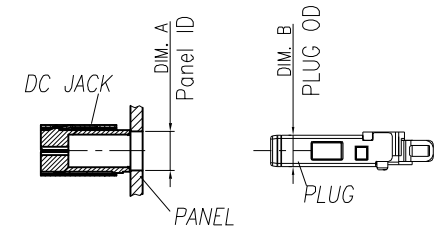
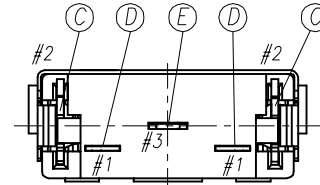
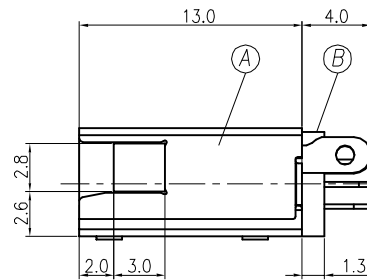
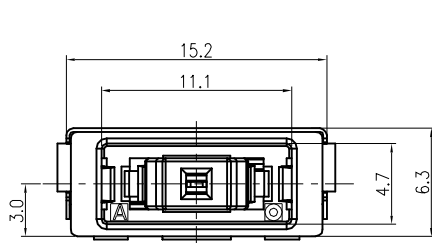


REV.	ECN NO OR DESCRIPTION	REVISED	DATE
A	PDR NO:T140530-9A	Allen	2014.09.15

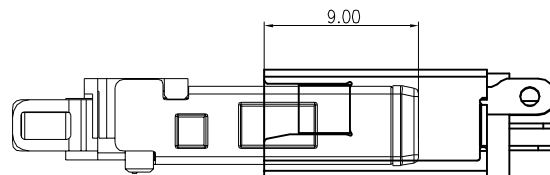
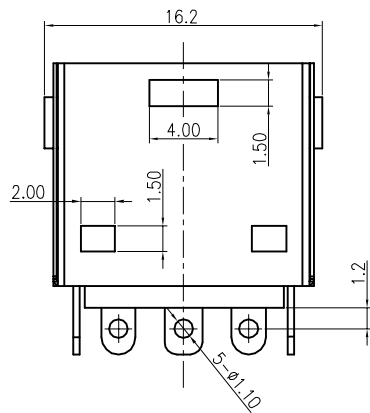


SPECIFICATIONS:

1. ELECTRICAL CHARACTERISTICS:
 - 1-1. RATING: 20V 7A
 - 1-2. CONTACT RESISTANCE: 30mΩ MAX.(INITIAL)
 - 1-3. JACK SHALL WITHSTAND 500 V AC BETWEEN ANY ADJACENT TERMINAL FOR ONE MINUTE.
 - 1-4. INSULATION RESISTANCE: 100MΩ MIN. MEASURED BY 500 V DC
2. MECHANICAL CHARACTERISTICS:
 - 2-1. INSERTION FORCE : 3.0 KGF MAX.
 - 2-2. WITHDRAWAL FORCE : 0.3~3.0KGF.
3. LIFE TEST: 5,000 CYCLES MIN.
4. TO CONFORM TO SINGATRON HAZARDOUS SUBSTANCE FREE SPEC.
5. HALOGEN FREE PRODUCT IDENTIFICATION MARK ON JACK: Ⓞ
6. HALOGEN FREE PRODUCT IDENTIFICATION LABEL ON PACKAGING: Ⓞ
7. FOR HAND SOLDERING LEAD-FREE PROCESS.
8. PRINTED DATE CODE "YYMMDD" ON TOP OF CONNECTOR.
(YYMMDD YY:YEAR MM:MONTH DD:DAY)
9. THE PANEL'S ID MUST BE GREATER THAN THE PLUG'S OD WHICH MUST HAVE A DIFFERENCE OF LESS THAN OR EQUAL TO 0.5 mm.(AS SHOWN IN FIGURE 1.)



$DIM. A - DIM. B < 0.5$
FIGURE 1



MATTING STATE
MATTING PLUG P/N
2DP3067-001511F

F	SHELL	1	COPPER ALLOY 0.2T	Ni 50u"
E	SIGNAL	1	COPPER ALLOY 0.3T	GOLD FLASH ON CONTACT AREA; Matte Sn 120u" ON SOLDER TAIL;
D	SPRING(+)	2	COPPER ALLOY 0.25T	
C	SPRING(-)	2	COPPER ALLOY 0.4T	ALL OVER Ni 50u"
B	COVER	1	THERMOPLASTIC	YELLOW (123C)
A	BODY	1	UL 94V-0	
NO	DESCRIPTION	QTY	MATERIAL	PLATING & COLOR

UNLESS OTHERWISE SPECIFIED TOLERANCES		Singatron Enterprise Co., Ltd. 信音企業股份有限公司		
DECIMALS:	ANGLES:	TITLE	DC POWER JACK	
X : ±0.5	X : ±2°	DWN Allen	PART NO. 2DC3067-008511F	
X.X : ±0.3	X.X : ±1°	CHKD Sky	SCALE: 4:1	UNIT: mm
X.XX : ±0.2		APVD Lussen	SIZE: A3	SHEET: 1 OF 1 REV:A
CUSTOMER COPY				