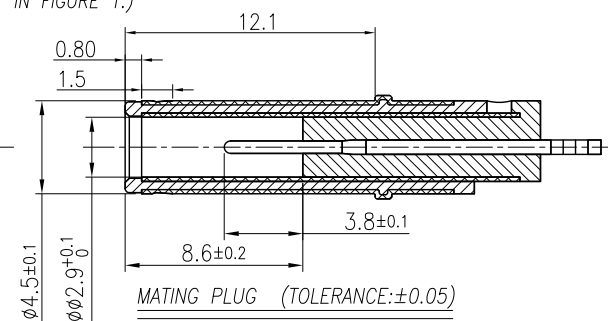
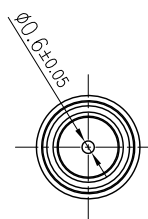
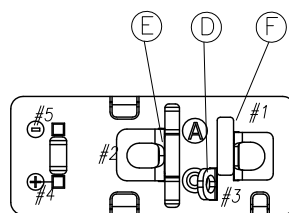
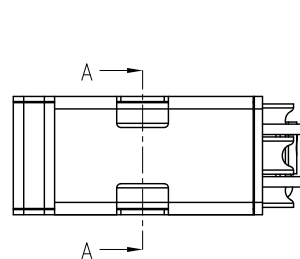
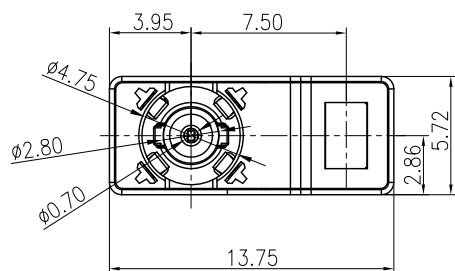
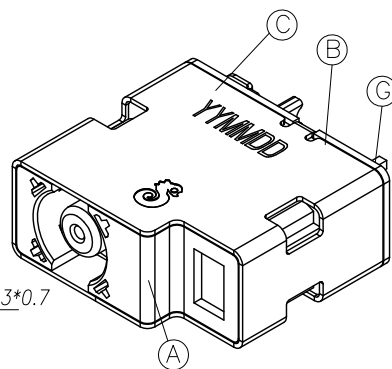
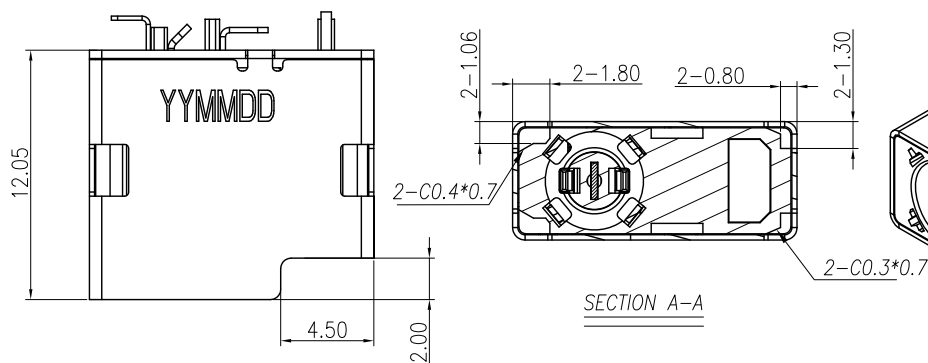


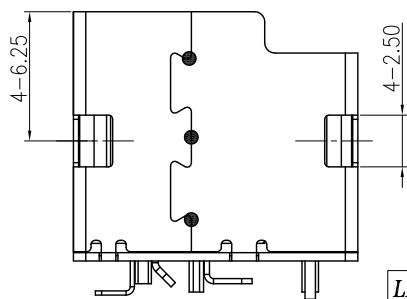
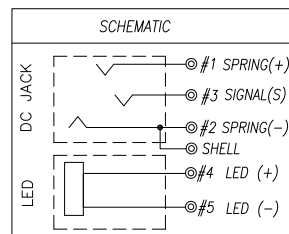
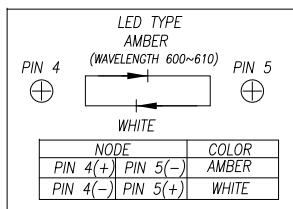
REV.	ECN NO OR DESCRIPTION	REVISED	DATE
A	PDR NO.T140829-3A	Springwu	2014.12.13

SPECIFICATIONS:

- ELECTRICAL CHARACTERISTICS:
  - RATING: 20V 10A
  - CONTACT RESISTANCE: 30mΩ MAX.
  - DIELECTRIC WITHSTANDING VOLTAGE: 500V AC FOR ONE MINUTE.
  - INSULATION RESISTANCE: 100MΩ MIN. MEASURED BY 500 VDC
- MECHANICAL CHARACTERISTICS:
  - INSERTION FORCE: 2.5 Kgf MAX.
  - WITHDRAWAL FORCE: INITIAL 0.6~2.0 Kgf. AFTER LIFE TEST: 0.5kgf IN
- LIFE TEST: 5,000 CYCLES.
- TO CONFORM TO SINGATRON HAZARDOUS SUBSTANCE FREE SPEC.
- HALOGEN FREE PRODUCT IDENTIFICATION MARK ON JACK:
- HALOGEN FREE PRODUCT IDENTIFICATION LABEL ON PACKAGING:
- FOR HAND SOLDERING LEAD-FREE PROCESS.
- PRINTED DATE CODE "YYMMDD" ON TOP OF CONNECTOR.  
(YYMMDD YY:YEAR MM:MONTH DD:DAY)
- THE PANEL'S ID MUST BE GREATER THAN THE PLUG'S OD WHICH MUST HAVE A DIFFERENCE OF LESS THAN OR EQUAL TO 0.5 mm.(AS SHOWN IN FIGURE 1.)

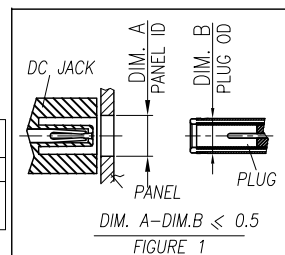


皇綱 P/N: 45P06CV230-1A00-01



**LED Soldering Condition:**

Peak temperature	Dwell time
SOLDERING IRON 350 °C Max.	3 sec Max.
	(ONE TIME ONLY)



G	LED (30° & AVAGO)	1	GaN/SiC	WHITE/AMBER(600~610) LIGHT
F	SPRING(+)	1	YCUTM-FX 0.20T	Ni (50u" Min.) UNDERPLATED OVER ALL .
E	SPRING(-)	1	C5210 0.25T	Pd/Ni (25u" Min.) & GOLD-PLATED(5u" Min.) AT CONTACT AREA .
D	SIGNAL	1	C5210 0.30T	AND Sn 120u" Min. ON SOLDER TAIL .
C	SHELL	1	SUS 304-1/2H 0.25T	Ni 50u"Min.
B	COVER	1	LCP+30%GF UL 94V-0 (HALOGEN FREE)	BLACK
A	BODY	1	LCP+30%GF UL 94V-0 (HALOGEN FREE)	BLACK
NO	DESCRIPTION	QTY	MATERIAL	PLATING & COLOR

UNLESS OTHERWISE SPECIFIED TOLERANCES

Singatron Enterprise Co., Ltd.  
信音企業股份有限公司

DECIMALS:	ANGLES:	TITLE	DC POWER JACK WITH LED	
X : ±0.5	X : ±2°	DWN	Springwu	<b>PART NO. 2DC3080-003114F</b>
X.X : ±0.3	X.X : ±1°	CHKD	Sky	SCALE 4:1 UNIT: mm
X.XX : ±0.2		APVD	Lussen	SIZE: A3 SHEET: 1 OF 1 <b>REV: A</b>

CUSTOMER COPY