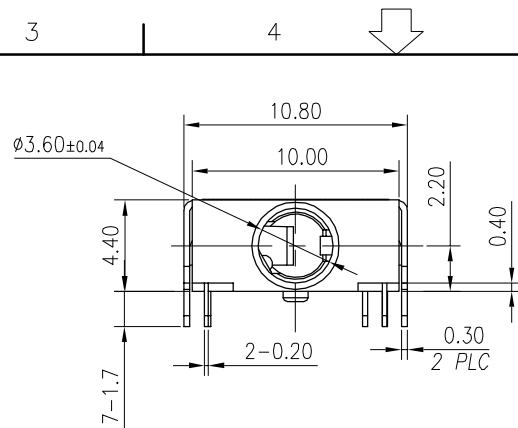
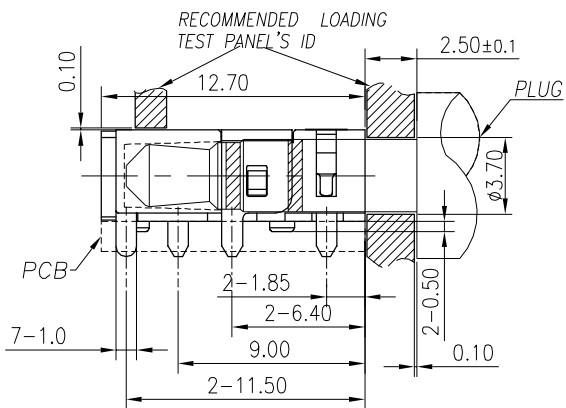
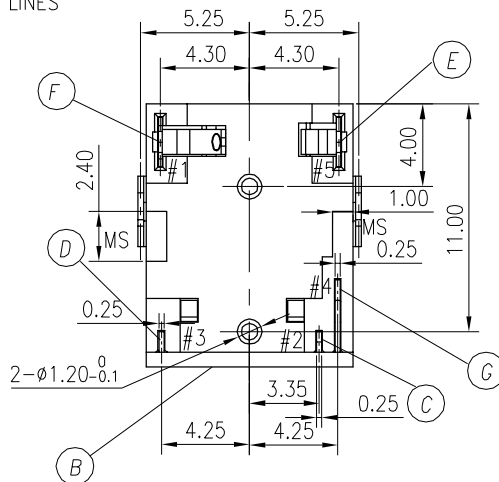
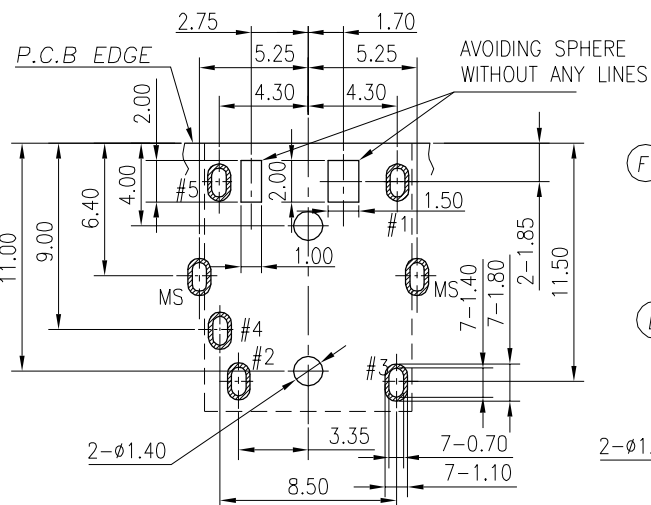


REV.	ECN NO OR DESCRIPTION	REVISED	DATE
A	PDR NO:T170703-4A	Ming	2017.09.22

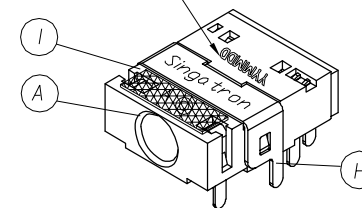


SPECIFICATIONS:

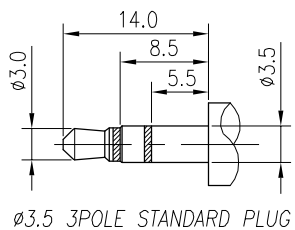
- ELECTRICAL CHARACTERISTICS:
  - 1-1. RATING: 12V 1A
  - 1-2. CONTACT RESISTANCE: 30mΩ MAX(BEFORE).
  - 1-3. DIELECTRIC VOLTAGE WITHSTAND: 500V AC FOR ONE MINUTE
  - 1-4. INSULATION RESISTANCE: 100MΩ MIN. MEASURED BY 500 VDC
- MECHANICAL CHARACTERISTICS:
  - 2-1. INSERTED FORCE : 3.5 Kgf MAX.
  - 2-2. WITHDRAWAL FORCE : 0.3~4.0 Kgf
- LIFE TEST: 5,000 CYCLES MIN.
- PACKING: TAPE & REEL
- TO CONFORM TO THE "SE-01-001" & "ROHS DIRECTIVE"
- HALOGEN FREE PRODUCT IDENTIFICATION MARK ON PRODUCT:
- HALOGEN FREE PRODUCT IDENTIFICATION LOGO ON PACKAGING:
- FOR LEAD-FREE PROCESS.



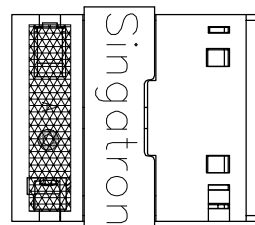
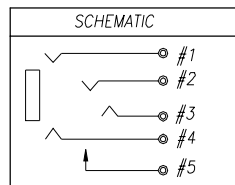
DATE CODE



RECOMMENDED PCB LAYOUT  
TOP VIEW (TOLERANCE: ±0.05)



RECOMMEND MATING PLUG  
1/2 SCALE



I	MYLAR FILM	1	N/A	N/A
H	SHIELDING	1	PHOSPHOR BRONZE 0.3T	N/A
G	EARTH SPRING-A	1	PHOSPHOR BRONZE 0.25T	GOLD FLASH ON CONTACT AREA; MATTE Sn120u" ON SOLDER AREA; Ni 50u" OVER ALL.
F	EARTH SPRING-B	1	PHOSPHOR BRONZE 0.2T	
E	EARTH TERMINAL	1	PHOSPHOR BRONZE 0.2T	
D	TIP SPRING	1	PHOSPHOR BRONZE 0.25T	
C	RING SPRING	1	PHOSPHOR BRONZE 0.25T	
B	CASE	1	HIGH TEMP THERMOPLASTIC UL 94V-0	BLACK
A	BODY	1	HIGH TEMP THERMOPLASTIC UL 94V-0	BLACK
NO	DESCRIPTION	QTY	MATERIAL	PLATING & COLOR

UNLESS OTHERWISE SPECIFIED TOLERANCES

Singatron Enterprise Co., Ltd.  
信音企業股份有限公司

DECIMALS:	ANGLES:	TITLE	<b>Ø3.5 PHONE JACK</b>	
X : ±0.5	X : ±2°	DWN	Ming	<b>PART NO. 2SJ3006-024311F</b>
X.X : ±0.3	X.X : ±1°	CHKD	Bruce	SCALE: 4/1 UNIT: mm
X.XX : ±0.2		APVD	Lussen	SIZE: A3 SHEET: 1 OF 1 REV: A

CUSTOMER COPY