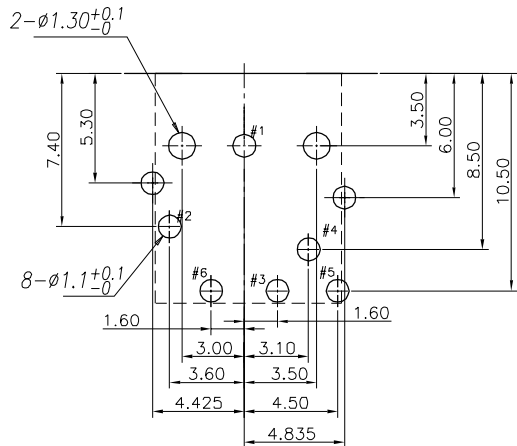
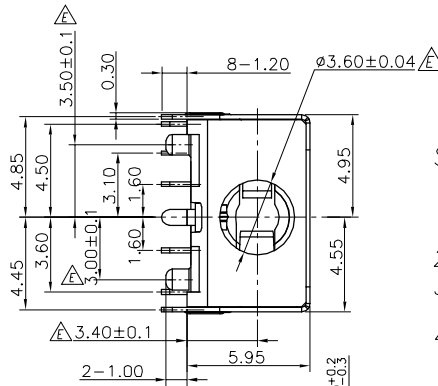
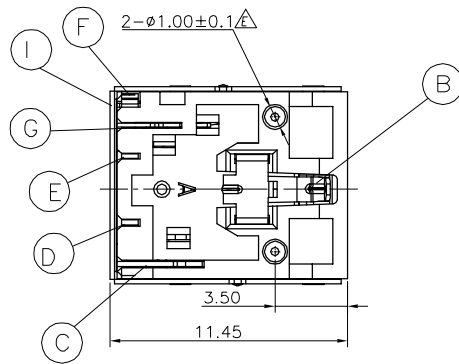


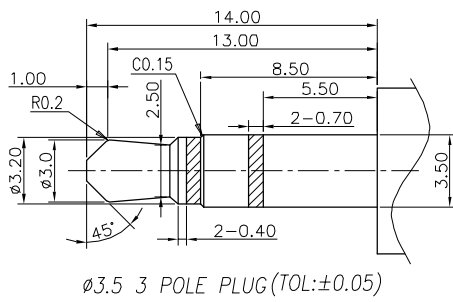
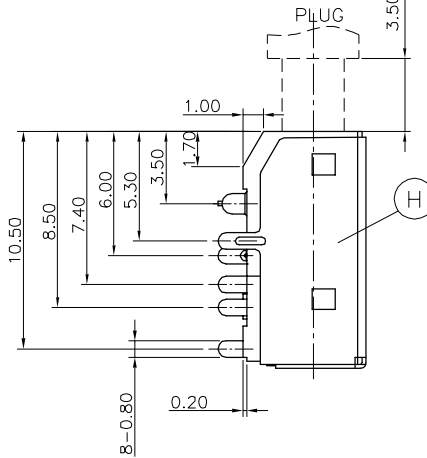
REV.	ECN NO OR DESCRIPTION	REVISED	DATE
A	PDR: T091126-4A	BRUCE	2010.04.14
B	ECN NO: S120730	Cerry	2013.03.08
C	ECN NO: S140129	SEAN	2014.10.21
D	ECN NO: S151159-C	JIE-FU	2015.12.30
E	ECN NO: S160818-C	JIE-FU	2016.10.08

SPECIFICATIONS:

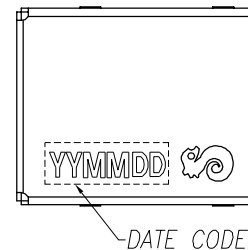
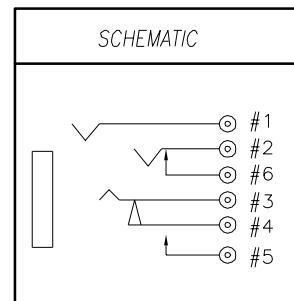
- INSULATION RESISTANCE BETWEEN ANY ADJACENT OPEN CIRCUIT TERMINAL SHELL NOT BE LESS THAN 100M MEASURED BY 500 VDC MEGGER.
- CONTACT RESISTANCE: 30mΩ MAX.
- INSULATION VOLTAGE WITHSTAND;
500V AC FOR ONE MINUTE.
- UNLESS OTHERWISE SPECIFIED. TEST IS TO BE MADE AT 5-35°C IN TEMPERATURE AND 45-85% IN HUMIDITY. BUT, IF ANY VAGUE DATA IS OCCURED ON TEST RESULT, ANOTHER TEST SHALL BE MADE AT 20°C±2°C IN TEMP., 60-70% IN HUMIDITY.
- LIFE TEST: 5,000 CYCLES MIN. (NON-LOAD)
- INSERTION FORCE: 0.4 - 3Kgf.
- WITHDRAWAL FORCE: 0.3 - 2Kgf.
- AFTER LIFE TEST, CONTACT RESISTANCE: 50mΩ MAX.
- AFTER HUMIDITY TEST, INSULATION RESISTANCE: 50MΩ MIN.
- MARKING: MARK "S" ON TOP OF CONNECTOR.
- PACKAGING : TAPE & REEL.
- TO CONFORM TO SINGATRON HAZARDOUS SUBSTANCE FREE SPEC.
- HALOGEN FREE PRODUCT IDENTIFICATION MARK ON PRODUCT:
- HALOGEN FREE PRODUCT IDENTIFICATION LOGO ON PACKAGING:
- FOR LEAD-FREE PROCESS.



RECOMMENDED PCB LAYOUT (TOP VIEW)
(TOLERANCE:±0.05)



ø3.5 3 POLE PLUG (TOL:±0.05)



DATE CODE.

I	MYLAR	1	KAPTON	YELLOW																
H	SHIELDING	1	C5191-H 0.2t	Ni 60u" Min																
G	TRANSFER TERMINAL	1	C5210-SH 0.2t	120u" Sn ON SOLDER GOLD FLASH ON CONTACT AREA ALL OVER 50u" Ni.																
F	MAKE TERMINAL	1	C5191-H 0.2t																	
E	RING SPRING	1	C5210-EH 0.2t	GOLD FLASH ON CONTACT AREA ALL OVER 50u" Ni.																
D	SHUNT TERMINAL-A	1	C2680-H 0.25t																	
C	TIP SPRING	1	C5210-EH 0.25t	Ag20u"Min, ALL OVER 50u" Ni .																
B	EARTH	1	C5210-H 0.2t	GOLD FLASH ,Ni 60 u" Min																
A	BODY	1	PA10T+30%GF (R630NH) UL 94V-0	BLACK																
NO	DESCRIPTION	QTY	MATERIAL	PLATING & COLOR																
UNLESS OTHERWISE SPECIFIED TOLERANCES			Singatron Enterprise Co., Ltd. 信音企業股份有限公司																	
DECIMALS: X :±0.5 X.X :±0.3 X.XX :±0.2		ANGLES: X :±2° X.X :±1°		<table border="1"> <thead> <tr> <th>TITLE</th> <th colspan="3">3.5ø PHONE JACK</th> </tr> </thead> <tbody> <tr> <td>DWN</td> <td>JIE-FU</td> <td colspan="2">PART NO.2SJ3018-000311</td> </tr> <tr> <td>CHKD</td> <td>CERRY</td> <td>SCALE:4:1</td> <td>UNIT: mm</td> </tr> <tr> <td>APVD</td> <td>LUSSEN</td> <td>SIZE: A3</td> <td>SHEET:1 OF 1</td> </tr> </tbody> </table>	TITLE	3.5ø PHONE JACK			DWN	JIE-FU	PART NO.2SJ3018-000311		CHKD	CERRY	SCALE:4:1	UNIT: mm	APVD	LUSSEN	SIZE: A3	SHEET:1 OF 1
TITLE	3.5ø PHONE JACK																			
DWN	JIE-FU	PART NO.2SJ3018-000311																		
CHKD	CERRY	SCALE:4:1	UNIT: mm																	
APVD	LUSSEN	SIZE: A3	SHEET:1 OF 1																	
CUSTOMER COPY																				